



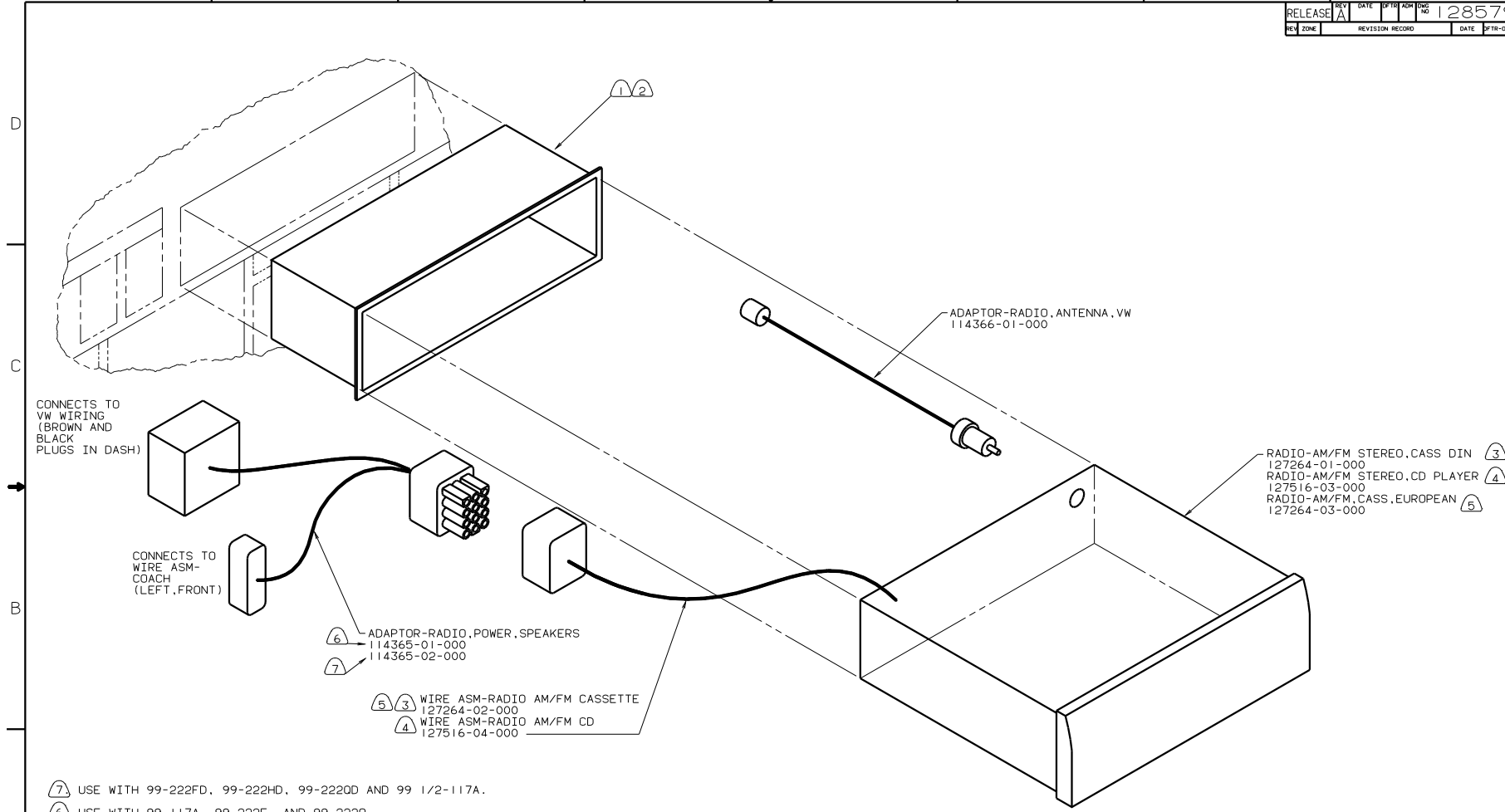
DANGER

Danger of electrical shock, burns or death. Always remove all power sources before attempting any repair, service or diagnostic work. Power can be present from shore power, generator, inverter or battery. All power sources must be disabled and secured before performing any service.



CAUTION

If you lack the skills, tools or equipment to perform diagnostic or repair work leave such work to an authorized Winnebago Industries dealer or other qualified shop.



CONNECTS TO VW WIRING (BROWN AND BLACK PLUGS IN DASH)

CONNECTS TO WIRE ASM-COACH (LEFT, FRONT)

6 ADAPTOR-RADIO, POWER, SPEAKERS
114365-01-000
7 114365-02-000

5 3 WIRE ASM-RADIO AM/FM CASSETTE
127264-02-000
4 WIRE ASM-RADIO AM/FM CD
127516-04-000

ADAPTOR-RADIO, ANTENNA, VW
114366-01-000

3 RADIO-AM/FM STEREO, CASS DIN
127264-01-000
4 RADIO-AM/FM STEREO, CD PLAYER
127516-03-000
5 RADIO-AM/FM, CASS., EUROPEAN
127264-03-000

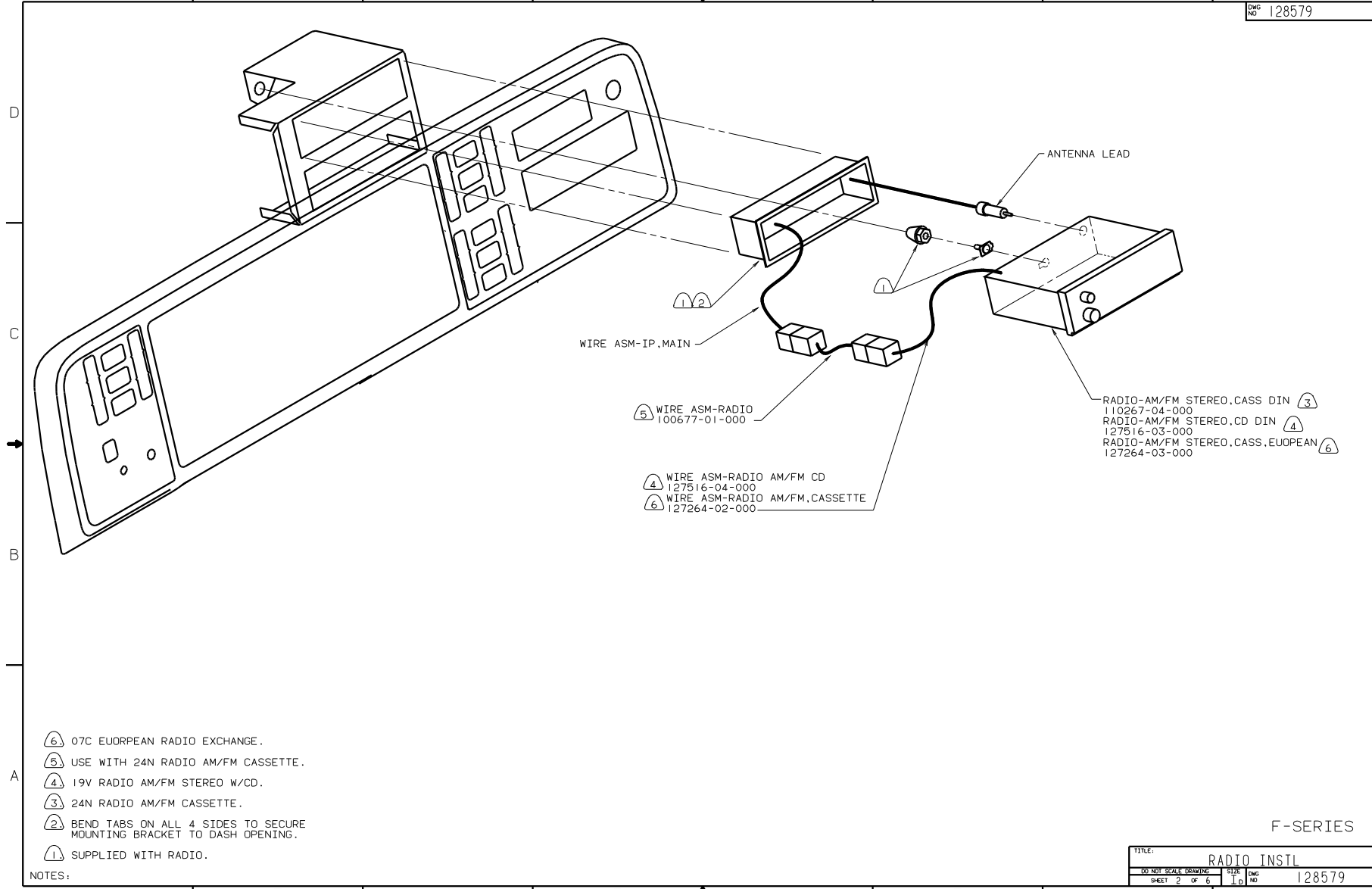
H-BODY & B-VAN



OFTR	DATE	UNSPECIFIED TOLERANCES ARE:	MATERIAL:
CMR	DATE	WHOLE DIM (X, Y, Z)	
P E	DATE	ONE-PLACE (X, XX)	
N E	DATE	TWO-PLACE (X, XX)	
DSMR	DATE	ANGLE	
	DATE	THIRD-ANGLE PROJECTION	
LAYOUT NO. -----		TITLE: RADIO INSTL	
DIA #	SCALE: NONE	TO ADJ. SCALE (DIMENSIONS)	SHEET NO. 128579
ALL DIMENSIONS ARE IN MILLIMETERS		SHEET 1 OF 6	DWG NO. 128579

- 7 USE WITH 99-222FD, 99-222HD, 99-2220D AND 99 1/2-117A.
 6 USE WITH 99-117A, 99-222F, AND 99-2220.
 5 07C EUROPEAN RADIO EXCHANGE.
 4 19V RADIO-AM/FM STEREO W/CD.
 3 24N RADIO-AM/FM CASSETTE.
 2 BEND TABS ON ALL 4 SIDES TO SECURE MOUNTING BRACKET TO DASH OPENING.
 1 SUPPLIED WITH RADIO.

NOTES:

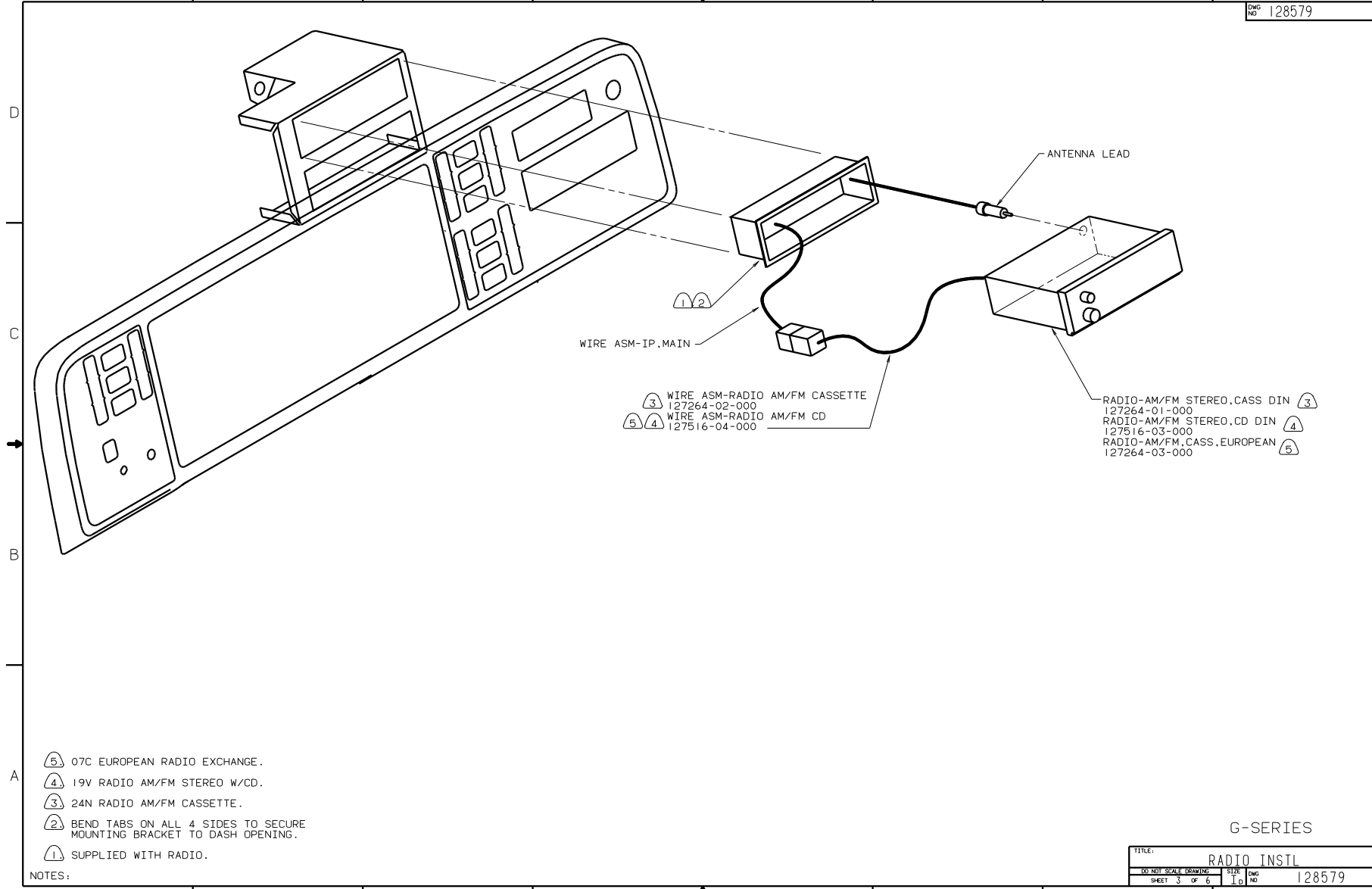


- ⑥ 07C EUORPEAN RADIO EXCHANGE.
- ⑤ USE WITH 24N RADIO AM/FM CASSETTE.
- ④ 19V RADIO AM/FM STEREO W/CD.
- ③ 24N RADIO AM/FM CASSETTE.
- ② BEND TABS ON ALL 4 SIDES TO SECURE MOUNTING BRACKET TO DASH OPENING.
- ① SUPPLIED WITH RADIO.

NOTES:

F-SERIES

TITLE: RADIO INSTL	
DO NOT SCALE DRAWING	SIZE: 1:1
SHEET 2 OF 6	DWG NO 128579



WIRE ASM-IP.MAIN

ANTENNA LEAD

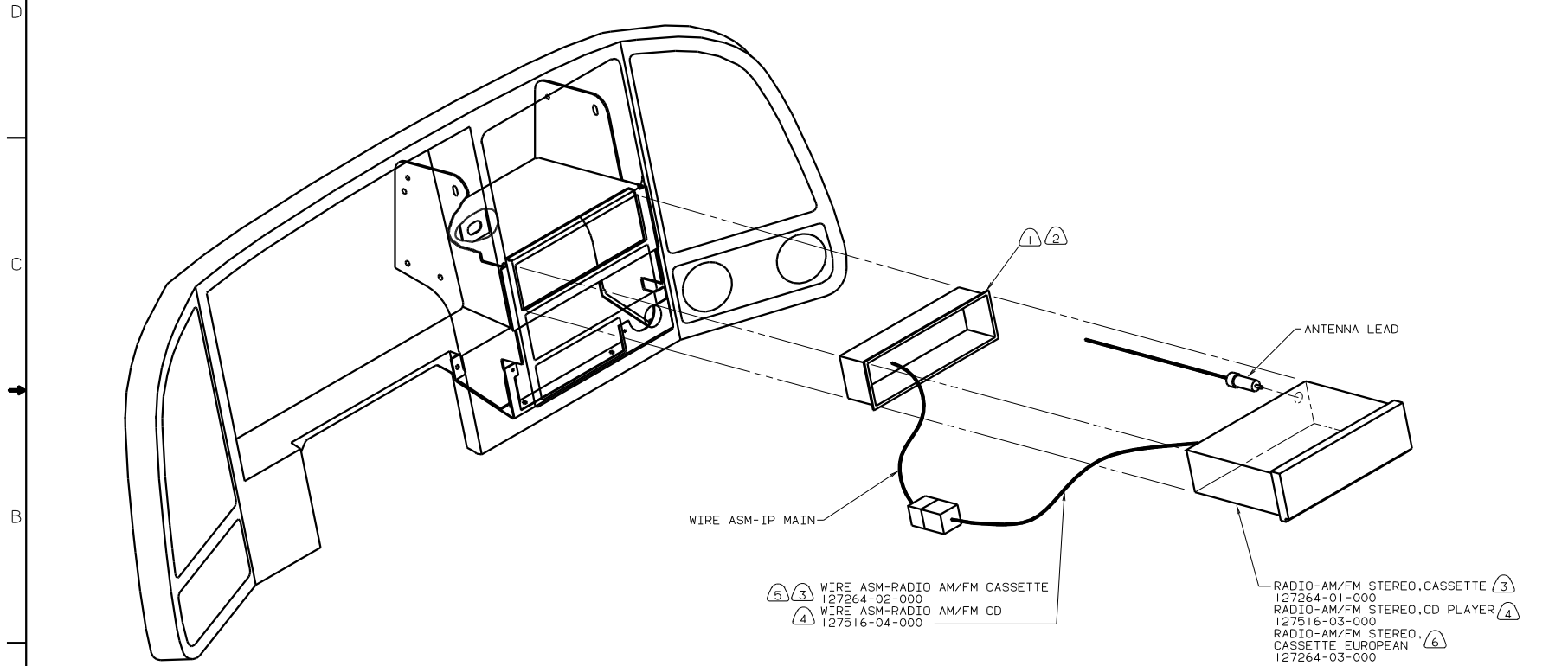
- ③ WIRE ASM-RADIO AM/FM CASSETTE
127264-02-000
- ⑤ ④ WIRE ASM-RADIO AM/FM CD
127516-04-000

- RADIO-AM/FM STEREO.CASS DIN ③
127264-01-000
- RADIO-AM/FM STEREO.CD DIN ④
127516-03-000
- RADIO-AM/FM.CASS.EUROPEAN ⑤
127264-03-000

- NOTES:
- ⑤ 07C EUROPEAN RADIO EXCHANGE.
 - ④ 19V RADIO AM/FM STEREO W/CD.
 - ③ 24N RADIO AM/FM CASSETTE.
 - ② BEND TABS ON ALL 4 SIDES TO SECURE MOUNTING BRACKET TO DASH OPENING.
 - ① SUPPLIED WITH RADIO.

G-SERIES

TITLE:		RADIO INSTL	
DO NOT SCALE DRAWING	SHEET 3 OF 6	DWG NO	128579



WIRE ASM-IP MAIN

ANTENNA LEAD

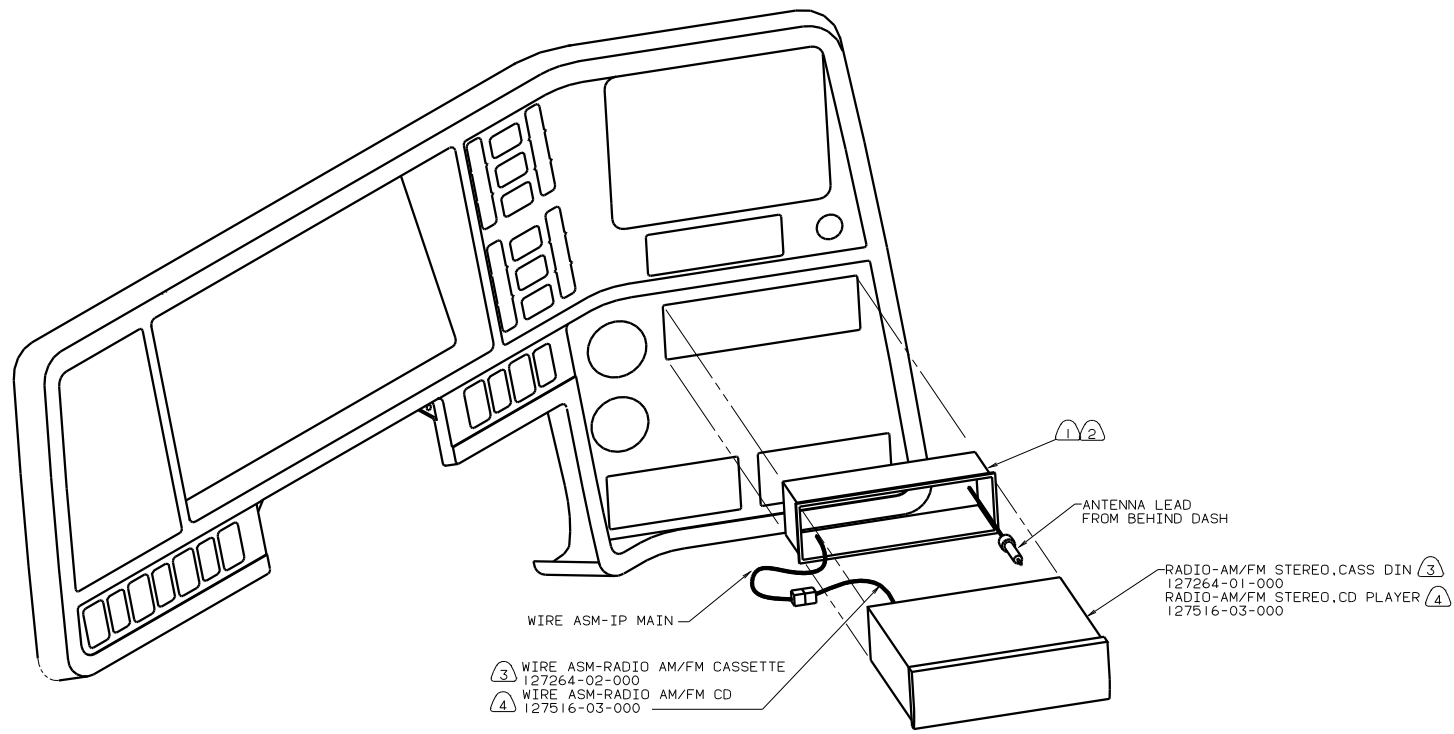
- ⑤ ③ WIRE ASM-RADIO AM/FM CASSETTE
127264-02-000
- ④ WIRE ASM-RADIO AM/FM CD
127516-04-000

- RADIO-AM/FM STEREO CASSETTE ③
127264-01-000
- RADIO-AM/FM STEREO CD PLAYER ④
127516-03-000
- RADIO-AM/FM STEREO CASSETTE EUROPEAN ⑥
127264-03-000

- NOTES:
- ⑤ 07C EUROPEAN RADIO EXCHANGE.
 - ④ 19V RADIO-AM/FM/STEREO W/CD.
 - ③ 24N RADIO AM/FM/CASSETTE.
 - ② BEND TABS ON ALL 4 SIDES TO SECURE MOUNTING BRACKET TO DASH OPENING.
 - ① SUPPLIED WITH RADIO.

M & L SERIES

TITLE: RADIO INSTL	
DO NOT SCALE DIMENSIONS	SIZE: 1:1
SHEET 4 OF 6	DWG NO 128579



- ③ WIRE ASM-RADIO AM/FM CASSETTE
127264-02-000
- ④ WIRE ASM-RADIO AM/FM CD
127516-03-000

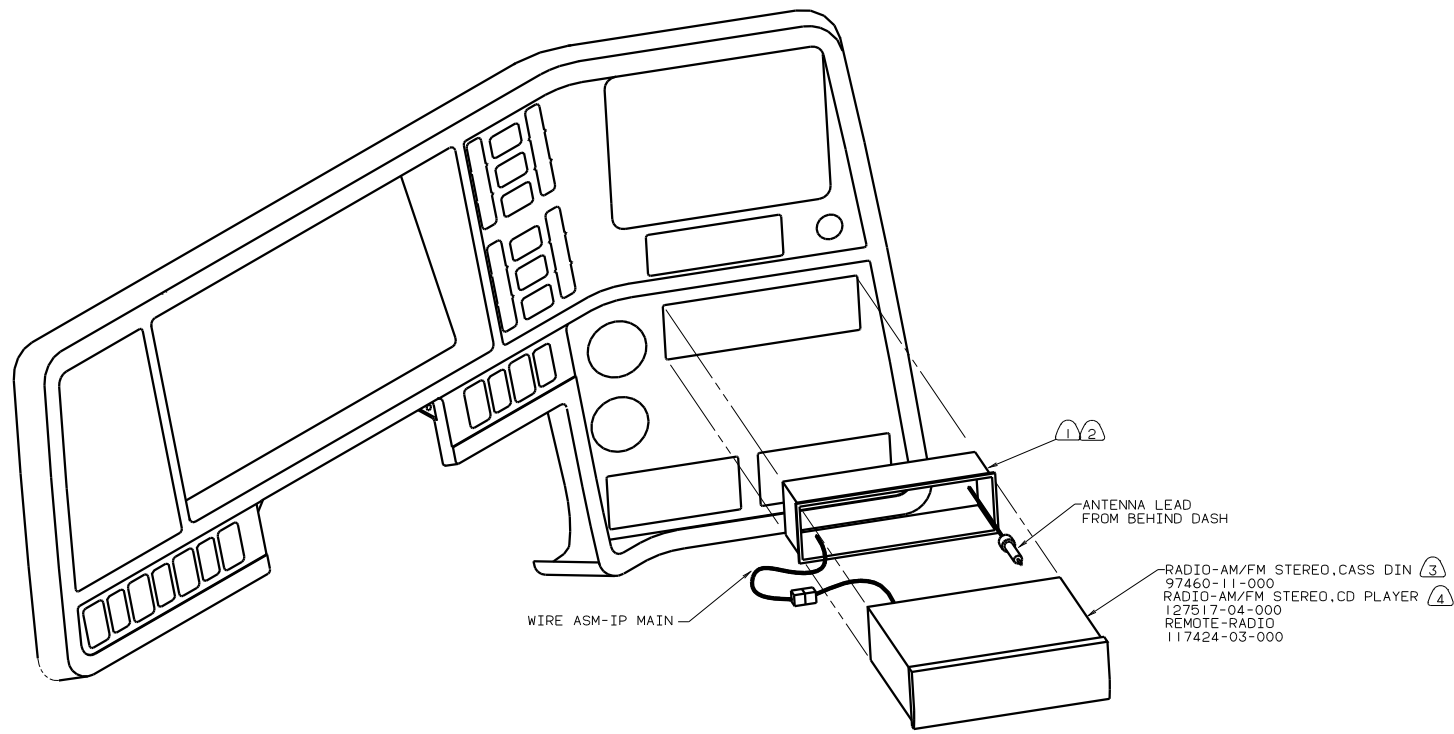
- RADIO-AM/FM STEREO, CASS DIN ③
127264-01-000
- RADIO-AM/FM STEREO, CD PLAYER ④
127516-03-000

- ④ 19V RADIO AM/FM/STEREO W/CD.
- ③ 24N RADIO AM/FM/CASSETTE.
- ② BEND TABS ON ALL 4 SIDES TO SECURE MOUNTING BRACKET TO DASH OPENING.
- ① SUPPLIED WITH RADIO.

NOTES:

Q-SERIES
EXCEPT 38KD & 40JD

TITLE:		RADIO INSTL	
DO NOT SCALE DIMENSIONS	SCALE	DWG NO	128579
SHEET 5	OF 6		



- NOTES:
- ④ 19V RADIO AM/FM/STEREO W/CD.
 - ③ 24N RADIO AM/FM/CASSETTE.
 - ② BEND TABS ON ALL 4 SIDES TO SECURE MOUNTING BRACKET TO DASH OPENING.
 - ① SUPPLIED WITH RADIO.

Q-SERIES
 HIGHLINE
 38KD & 40JD

TITLE:		RADIO INSTL	
DO NOT SCALE DIMENSIONS	SIZE	DWG NO	128579
SHEET 6	OF 6	1.0	