



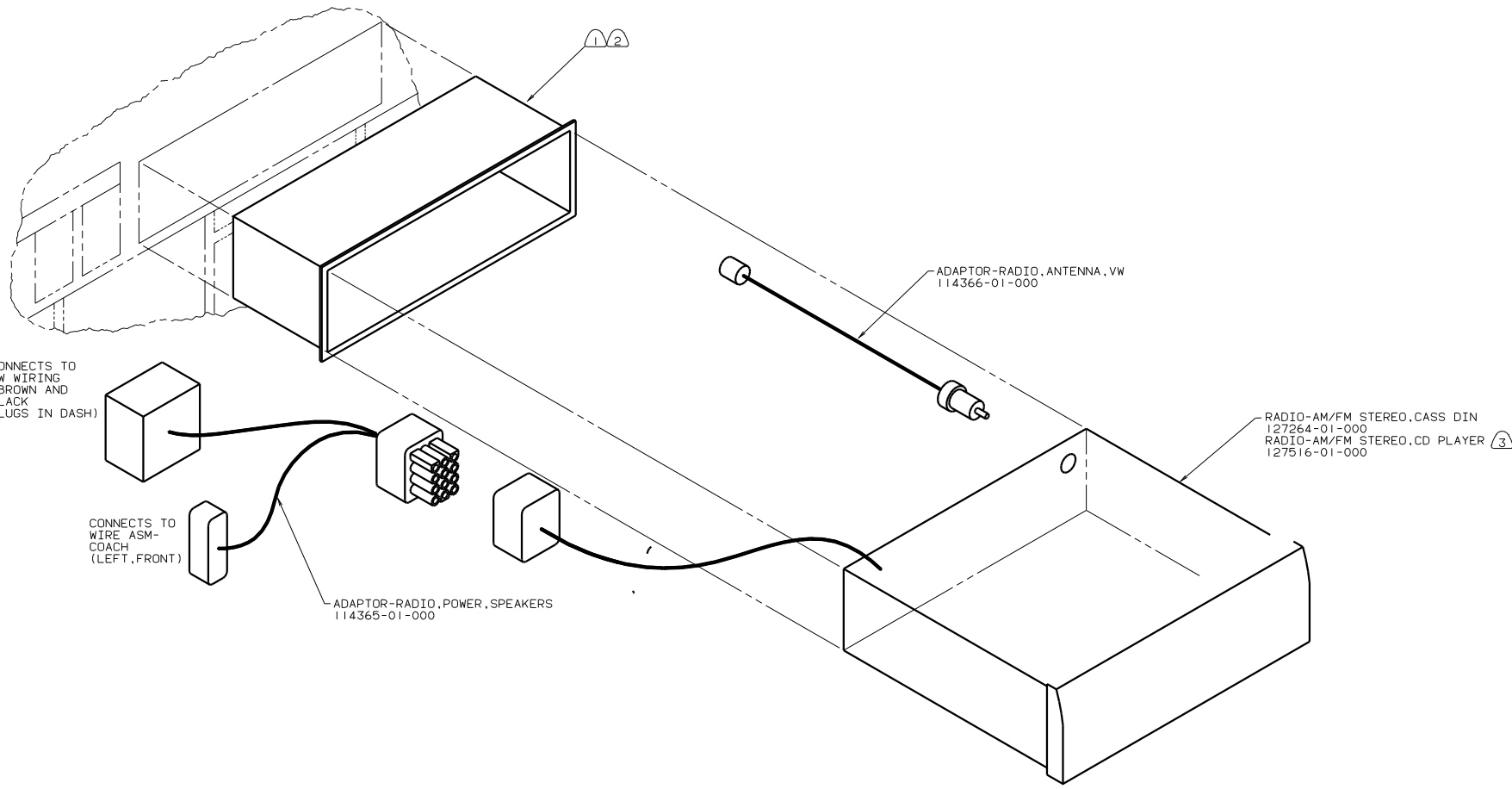
**DANGER**

**Danger of electrical shock, burns or death.** Always remove all power sources before attempting any repair, service or diagnostic work. Power can be present from shore power, generator, inverter or battery. All power sources must be disabled and secured before performing any service.



**CAUTION**

If you lack the skills, tools or equipment to perform diagnostic or repair work leave such work to an authorized Winnebago Industries dealer or other qualified shop.

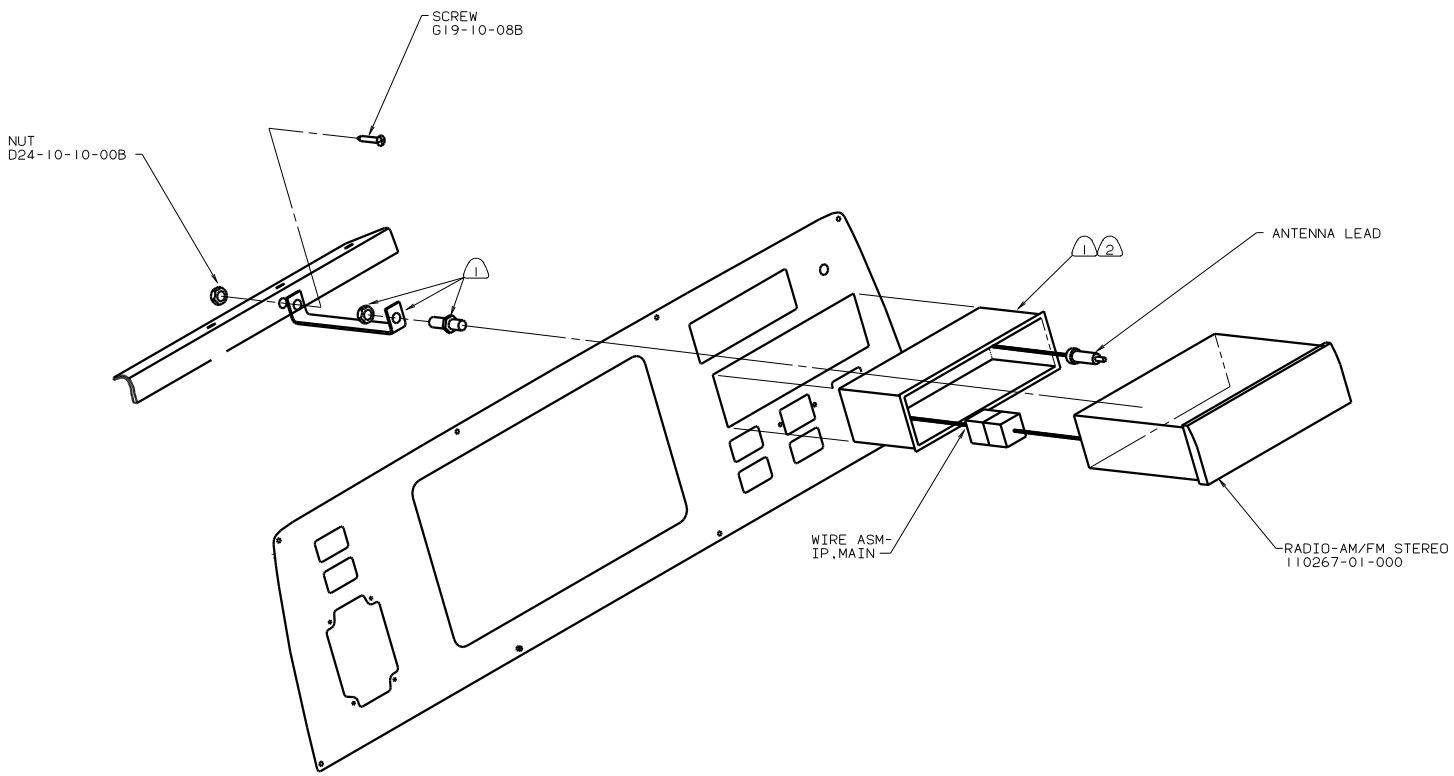


H-BODY & B-VAN



- NOTES:
- ③ EXCHANGE WITH CD PLAYER.
  - ② BEND TABS ON ALL 4 SIDES TO SECURE MOUNTING BRACKET TO DASH OPENING.
  - ① SUPPLIED WITH RADIO.

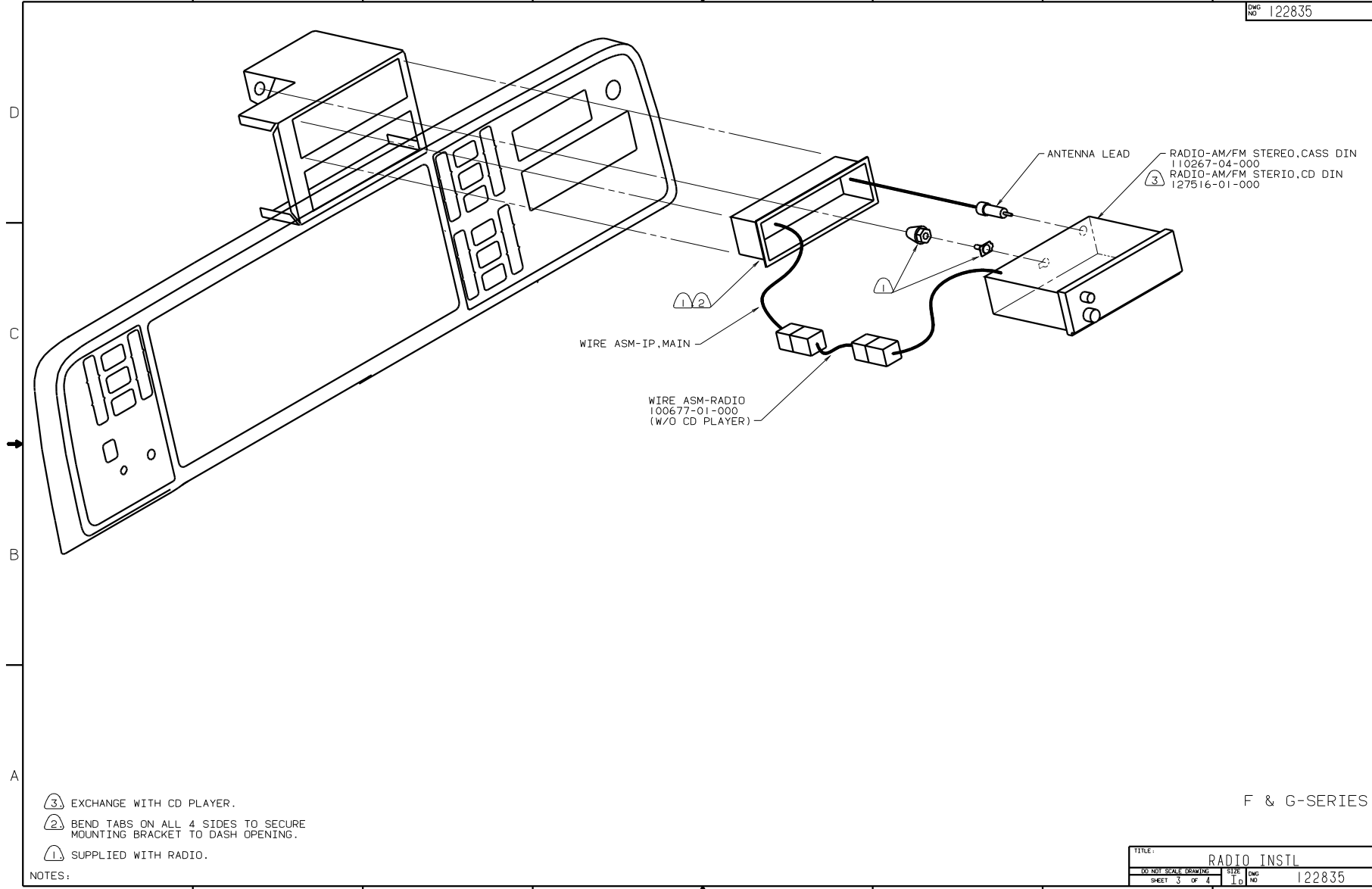
OFTR	DATE	UNSPECIFIED TOLERANCES ARE:	MATERIAL
CHDR	DATE	WHOLE DIM (X.X)	+
P E	DATE	ONE-PLACE (X.XX)	+
M E	DATE	TWO-PLACE (X.XXX)	+
DSNR	DATE	ANGLE	+
	DATE	THIRD ANGLE PROJECTION	
LAYOUT NO. -----		TITLE: RADIO INSTL	
DIA #	SCALE: NONE	TO ADJ. SCALE (DIMENSIONS)	SHEET NO. 122835
ALL DIMENSIONS ARE IN MILLIMETERS		SHEET 1 OF 4	DRG NO. 122835



- NOTES:
- ② BEND TABS ON ALL 4 SIDES TO SECURE MOUNTING BRACKET TO DASH OPENING.
  - ① SUPPLIED WITH RADIO.

D-SERIES

TITLE:		RADIO INSTL	
DO NOT SCALE DIMENSIONS	SCALE	DWG NO	122835
SHEET 2	OF 4	REV	1.0

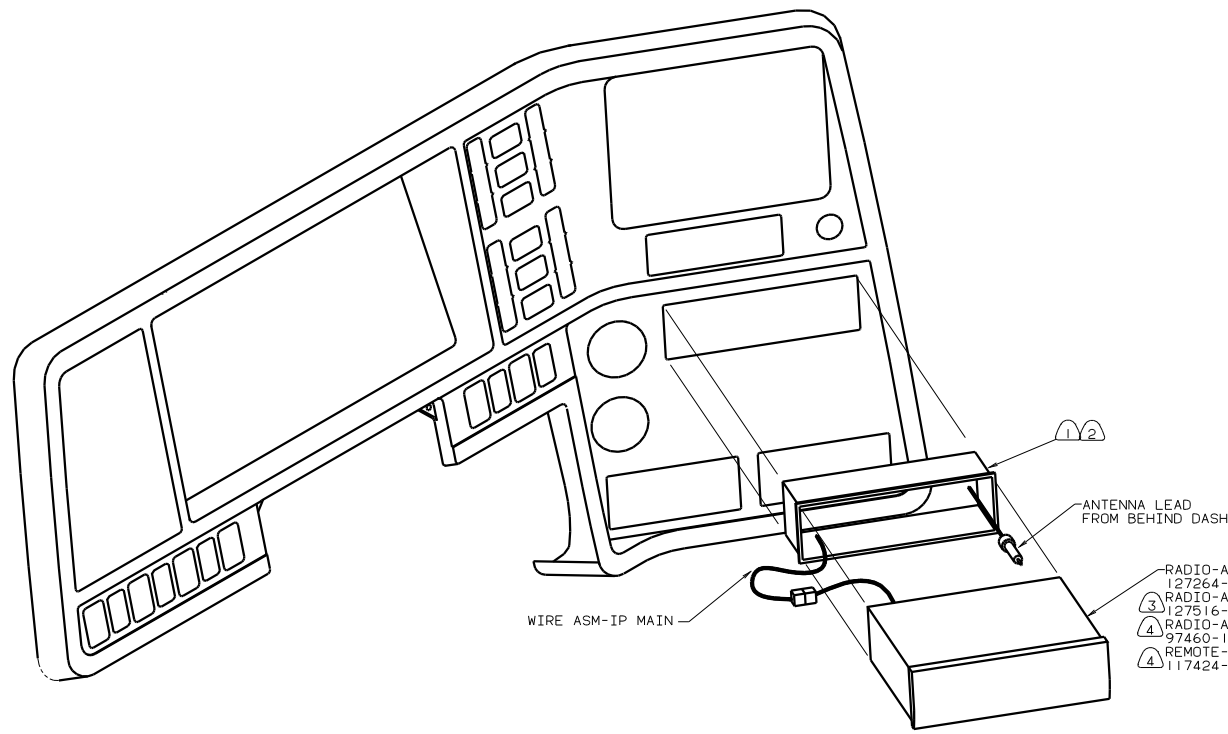


- ③ EXCHANGE WITH CD PLAYER.
- ② BEND TABS ON ALL 4 SIDES TO SECURE MOUNTING BRACKET TO DASH OPENING.
- ① SUPPLIED WITH RADIO.

NOTES:

F & G-SERIES

TITLE:		RADIO INSTL	
DO NOT SCALE DIMENSIONS	SCALE	DWG NO	122835
SHEET 3	OF 4	10	



WIRE ASM-IP MAIN

ANTENNA LEAD FROM BEHIND DASH

- ④ RADIO-AM/FM STEREO,CASS DIN  
127264-01-000
- ③ RADIO-AM/FM STEREO,CD PLAYER  
127516-01-000
- ④ RADIO-AM/FM,CASS,CD CONT,RMT  
97460-10-000
- ④ REMOTE-RADIO  
117424-02-000

- NOTES:
- ④ FOR USE WITH O-SERIES DELUXE SOUND SYSTEM ONLY.
  - ③ EXCHANGE WITH CD PLAYER.
  - ② BEND TABS ON ALL 4 SIDES TO SECURE MOUNTING BRACKET TO DASH OPENING.
  - ① SUPPLIED WITH RADIO.

M & Q-SERIES

TITLE:		RADIO INSTL	
DO NOT SCALE DRAWING	SIZE	DWG NO	122835
SHEET 4	OF 4	1.0	