



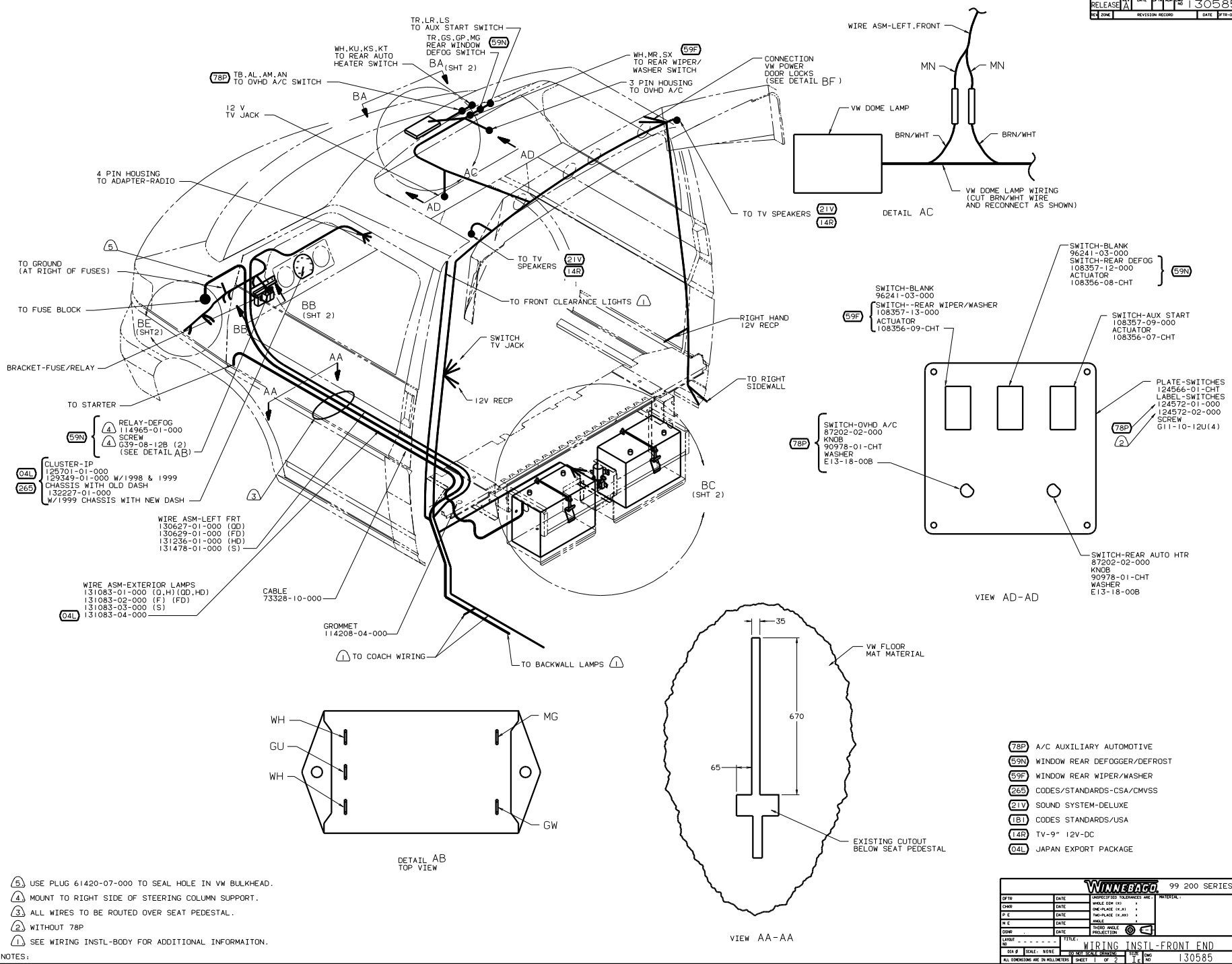
DANGER

Danger of electrical shock, burns or death. Always remove all power sources before attempting any repair, service or diagnostic work. Power can be present from shore power, generator, inverter or battery. All power sources must be disabled and secured before performing any service.



CAUTION

If you lack the skills, tools or equipment to perform diagnostic or repair work leave such work to an authorized Winnebago Industries dealer or other qualified shop.

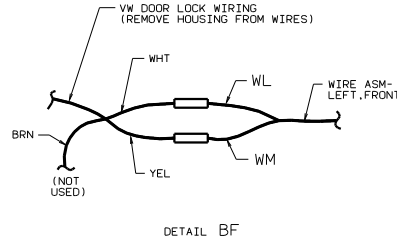
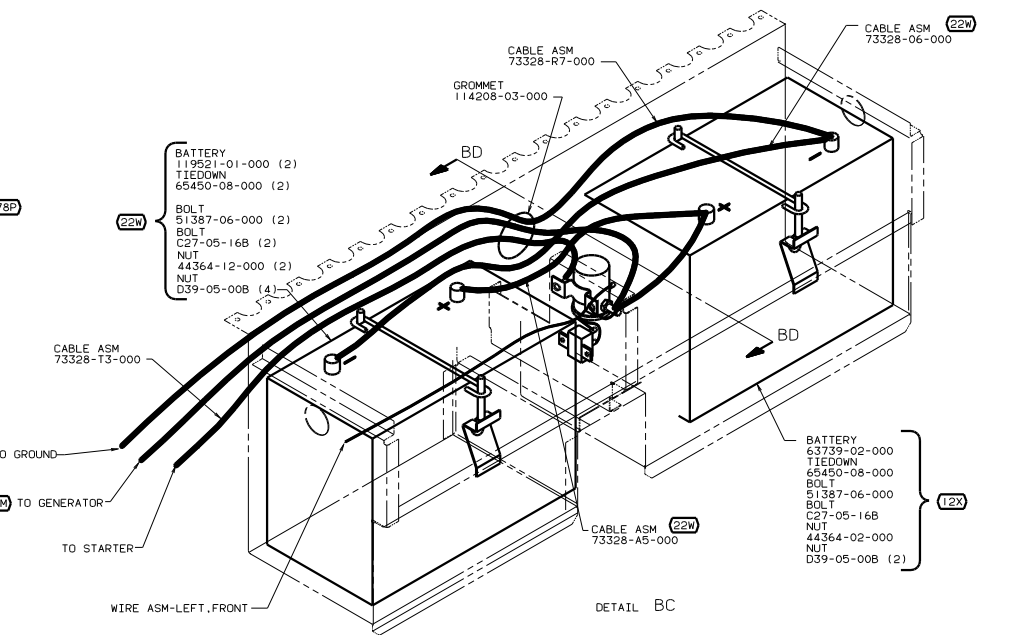
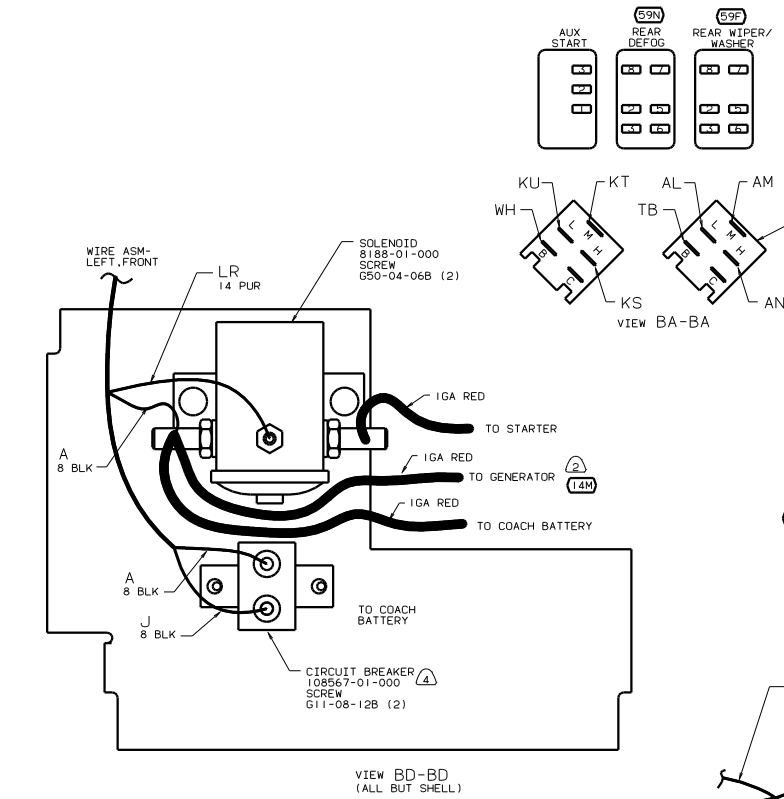
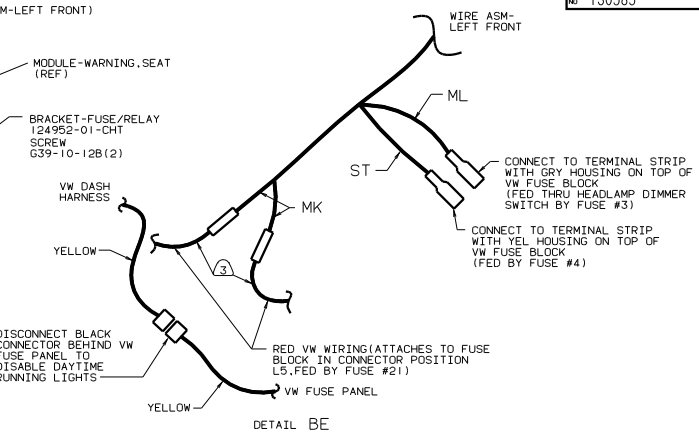
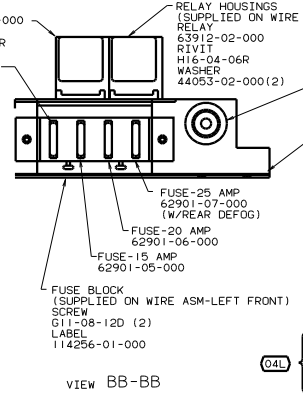
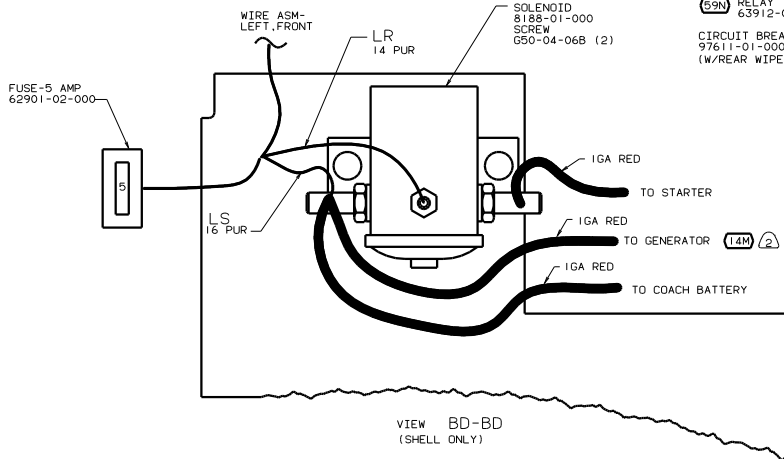


- NOTES:
- ⑤ USE PLUG 61420-07-000 TO SEAL HOLE IN VW BULKHEAD.
 - ④ MOUNT TO RIGHT SIDE OF STEERING COLUMN SUPPORT.
 - ③ ALL WIRES TO BE ROUTED OVER SEAT PEDESTAL.
 - ② WITHOUT 78P
 - ① SEE WIRING INSTL-BODY FOR ADDITIONAL INFORMATION.

- 78P A/C AUXILIARY AUTOMOTIVE
- 59N WINDOW REAR DEFOGGER/DEFROST
- 59F WINDOW REAR WIPER/WASHER
- 26S CODES/STANDARDS-CSA/CMVSS
- 21V SOUND SYSTEM-DELUXE
- 1B1 CODES STANDARDS/USA
- 14R TV-9" 12V-DC
- 04L JAPAN EXPORT PACKAGE

WINNEBAGO		99 200 SERIES	
OF IN	DATE	UNSPECIFIED TOLERANCES ARE:	MATERIAL
CHP	DATE	WHOLE OR 1/16"	
F/E	DATE	ONE-PLACE (1/32) "	
D/E	DATE	TWO-PLACE (1/64) "	
COMP	DATE	THIRD PLACE (1/128) "	
PRODUCED	DATE	FOURTH PLACE (1/256) "	

DRAWING TITLE: **WIRING INSTL-FRONT END**
 SHEET 1 OF 2
 REF: 126965-F 130585



- ④ SEAL SEAMS AND TOP OF CIRCUIT BREAKER WITH SEALANT 117082-01-000. MINIMIZE CONTACT OF SEALANT WITH ELECTRICALLY CONDUCTIVE SURFACES.
- ③ CUT WIRE AND RECONNECT AS SHOWN.
- ② SEE GENERATOR INSTL FOR ADDITIONAL INFORMATIION.
- ① SEE WIRING INSTL-BODY FOR ADDITIONAL INFORMATIION.

- (78P) A/C AUXILIARY AUTOMOTIVE
- (59N) WINDOW REAR DEFOGGER/DEFROST
- (59F) WINDOW REAR WIPER/WASHER
- (265) CODES/STANDARDS-CSA/CMVSS
- (22W) BATTERY-TWO
- (181) CODES STANDARDS/USA
- (14M) GENERATOR-3,000W-GENERAC GAS
- (12X) BATTERY-ONE
- (04L) JAPAN EXPORT PACKAGE