



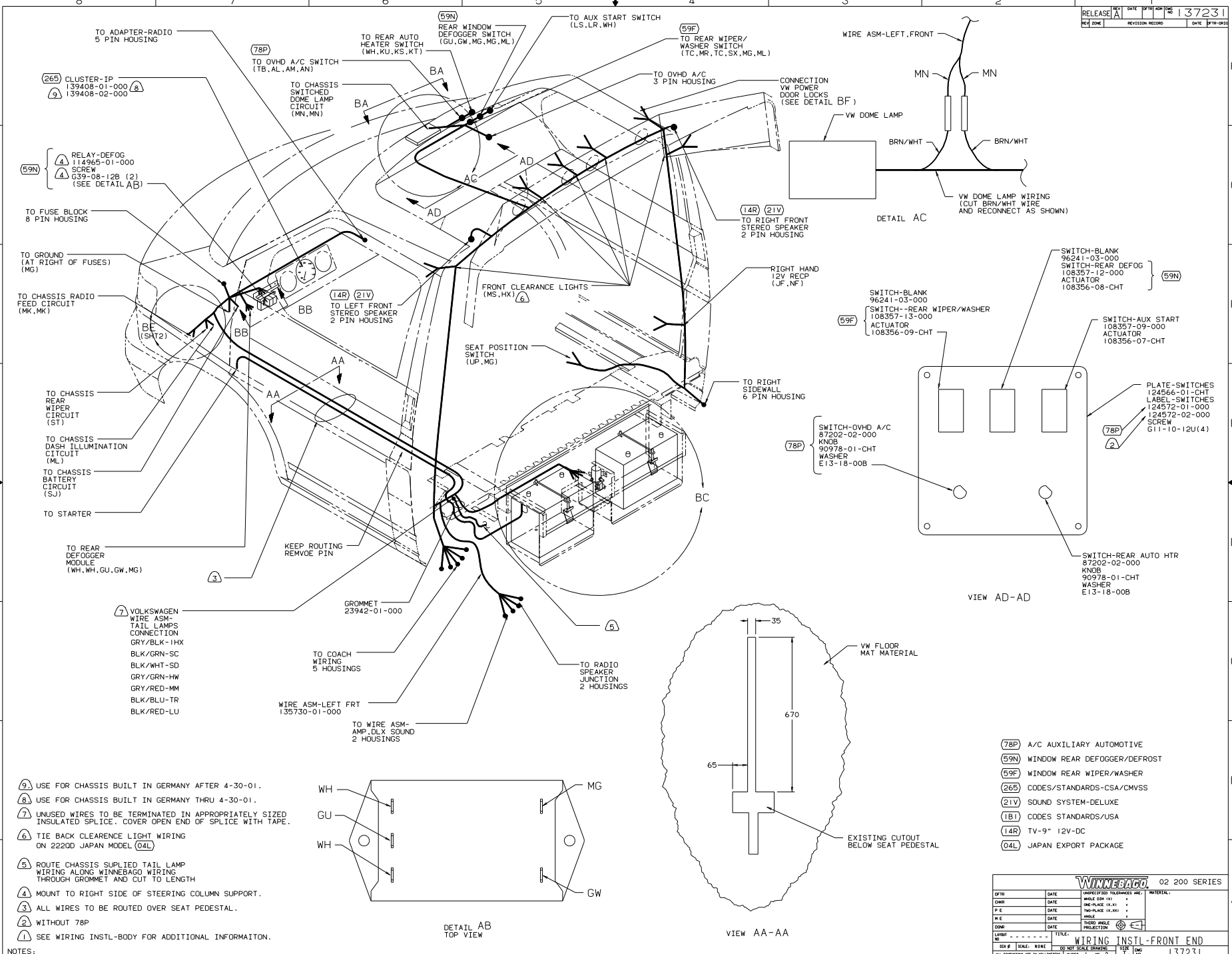
DANGER

Danger of electrical shock, burns or death. Always remove all power sources before attempting any repair, service or diagnostic work. Power can be present from shore power, generator, inverter or battery. All power sources must be disabled and secured before performing any service.

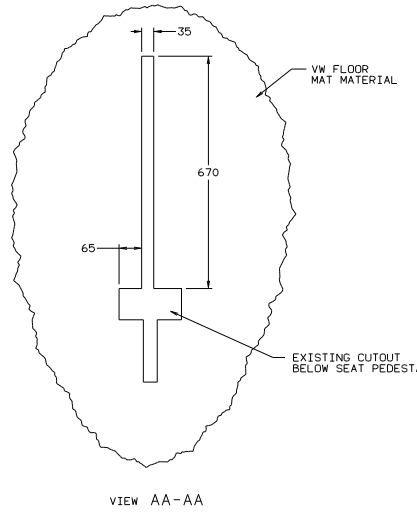
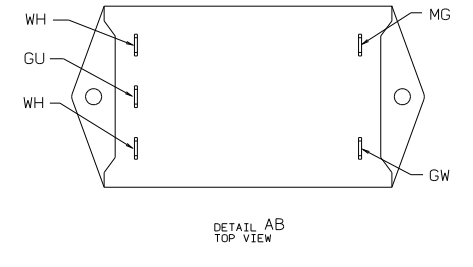


CAUTION

If you lack the skills, tools or equipment to perform diagnostic or repair work leave such work to an authorized Winnebago Industries dealer or other qualified shop.



- NOTES:
1. SEE WIRING INSTL-BODY FOR ADDITIONAL INFORMATION.
 2. WITHOUT 78P
 3. ALL WIRES TO BE ROUTED OVER SEAT PEDESTAL.
 4. MOUNT TO RIGHT SIDE OF STEERING COLUMN SUPPORT.
 5. ROUTE CHASSIS SUPPLIED TAIL LAMP WIRING ALONG WINNEBAGO WIRING THROUGH GROMMET AND CUT TO LENGTH
 6. TIE BACK CLEARANCE LIGHT WIRING ON 2220D JAPAN MODEL (04L)
 7. UNUSED WIRES TO BE TERMINATED IN APPROPRIATELY SIZED INSULATED SPLICE. COVER OPEN END OF SPLICE WITH TAPE.
 8. USE FOR CHASSIS BUILT IN GERMANY THRU 4-30-01.
 9. USE FOR CHASSIS BUILT IN GERMANY AFTER 4-30-01.



- 78P A/C AUXILIARY AUTOMOTIVE
- 59N WINDOW REAR DEFOGGER/DEFROST
- 59F WINDOW REAR WIPER/WASHER
- 265 CODES/STANDARDS-CSCA/CMVSS
- 21V SOUND SYSTEM-DELUXE
- 181 CODES STANDARDS/USA
- 14R TV-9" 12V-DC
- 04L JAPAN EXPORT PACKAGE

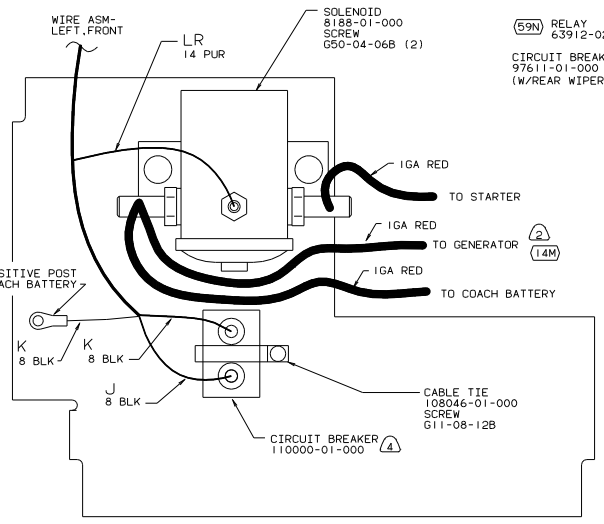
DATE		UNDESIGNED TOLERANCES ARE:	MATERIAL
DATE	DATE	UNLESS SPECIFIED	
DATE	DATE	UNLESS SPECIFIED	
DATE	DATE	UNLESS SPECIFIED	
DATE	DATE	UNLESS SPECIFIED	
DATE	DATE	UNLESS SPECIFIED	
DATE	DATE	UNLESS SPECIFIED	
DATE	DATE	UNLESS SPECIFIED	
DATE	DATE	UNLESS SPECIFIED	
DATE	DATE	UNLESS SPECIFIED	
DATE	DATE	UNLESS SPECIFIED	

WINNEBAGO 02 200 SERIES

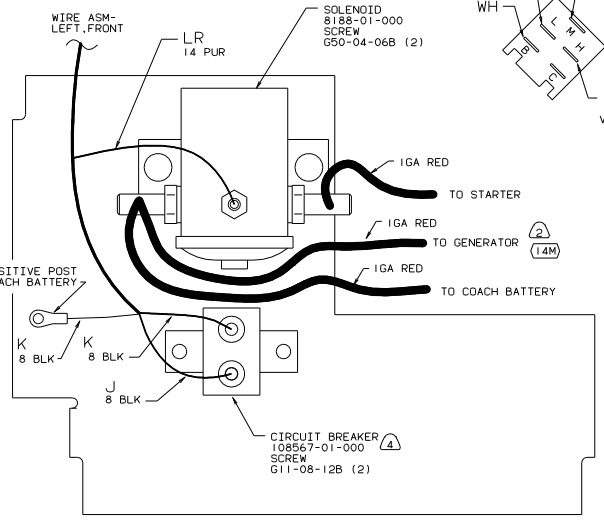
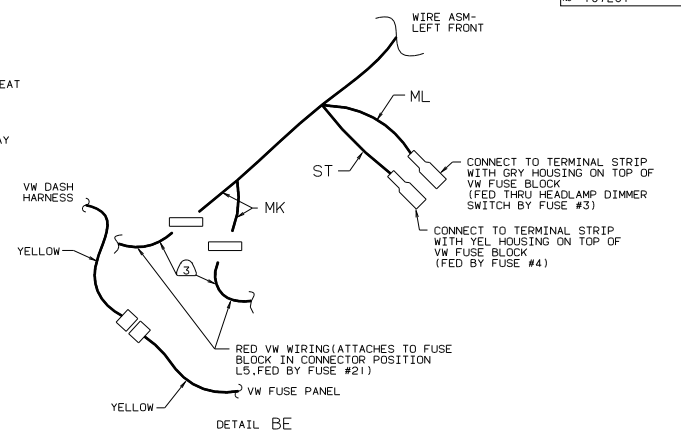
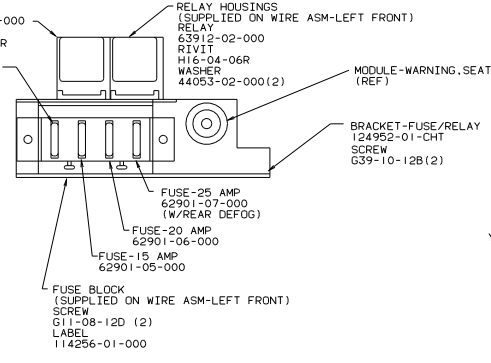
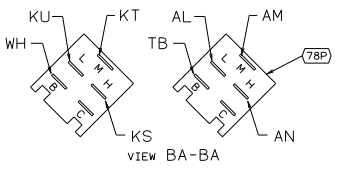
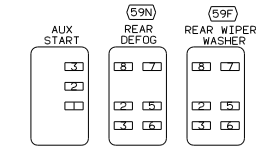
WIRING INSTL-FRONT END

SHEET 1 OF 2

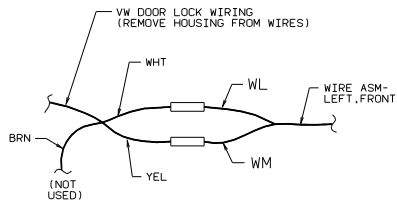
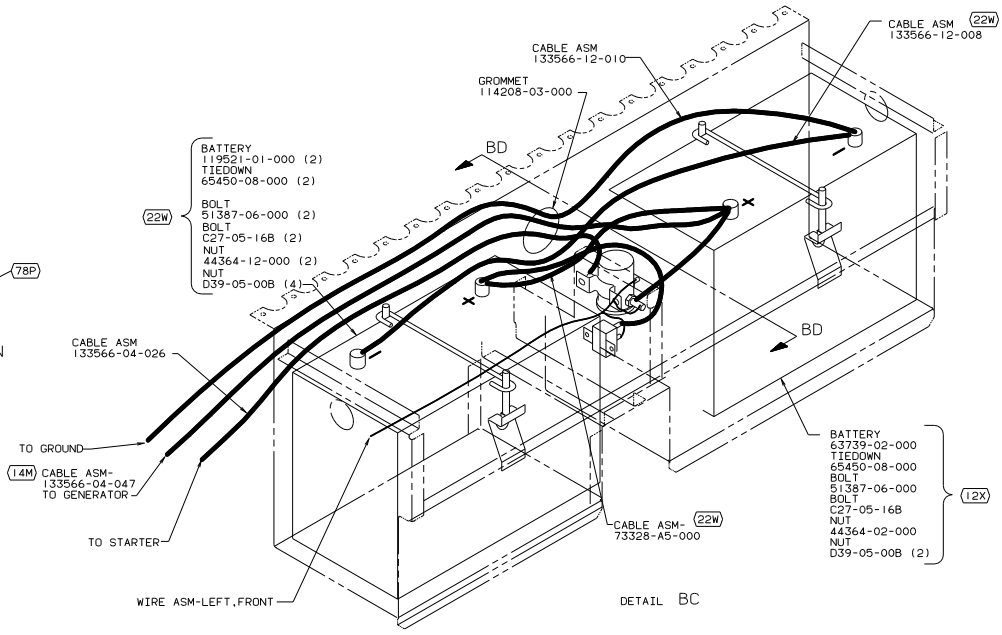
REF: 135686 C | PAGE 5



VIEW BD-BD (SHELL ONLY)



VIEW BD-BD (ALL BUT SHELL)



- ④ SEAL SEAMS AND TOP OF CIRCUIT BREAKER WITH SEALANT 117082-01-000. MINIMIZE CONTACT OF SEALANT WITH ELECTRICALLY CONDUCTIVE SURFACES.
- ③ CUT WIRE AND RECONNECT AS SHOWN.
- ② SEE GENERATOR INSTL FOR ADDITIONAL INFOAITION.
- ① SEE WIRING INSTL-BODY FOR ADDITIONAL INFOAITION.

- (78P) A/C AUXILIARY AUTOMOTIVE
- (59N) WINDOW REAR DEFOGGER/DEFROST
- (59F) WINDOW REAR WIPER/WASHER
- (265) CODES/STANDARDS-CSA/CMVSS
- (22W) BATTERY-TWO
- (1B1) CODES STANDARDS/USA
- (14M) GENERATOR-3,000W-GENERAC GAS
- (12X) BATTERY-ONE