

CONNECTS TO VW WIRING (BROWN AND BLACK PLUGS IN DASH)

CONNECTS TO WIRE ASM-COACH (LEFT, FRONT)

ADAPTOR-RADIO, POWER, SPEAKERS
114365-01-000

WIRE ASM-RADIO MODIFIED
116135-01-000
(W/CD PLAYER ONLY)

ADAPTOR-RADIO, ANTENNA, VW
114366-01-000

RADIO-AM/FM STEREO, CASS DIN
97460-08-000
RADIO-AM/FM STEREO, CD PLAYER (3)
116148-01-000

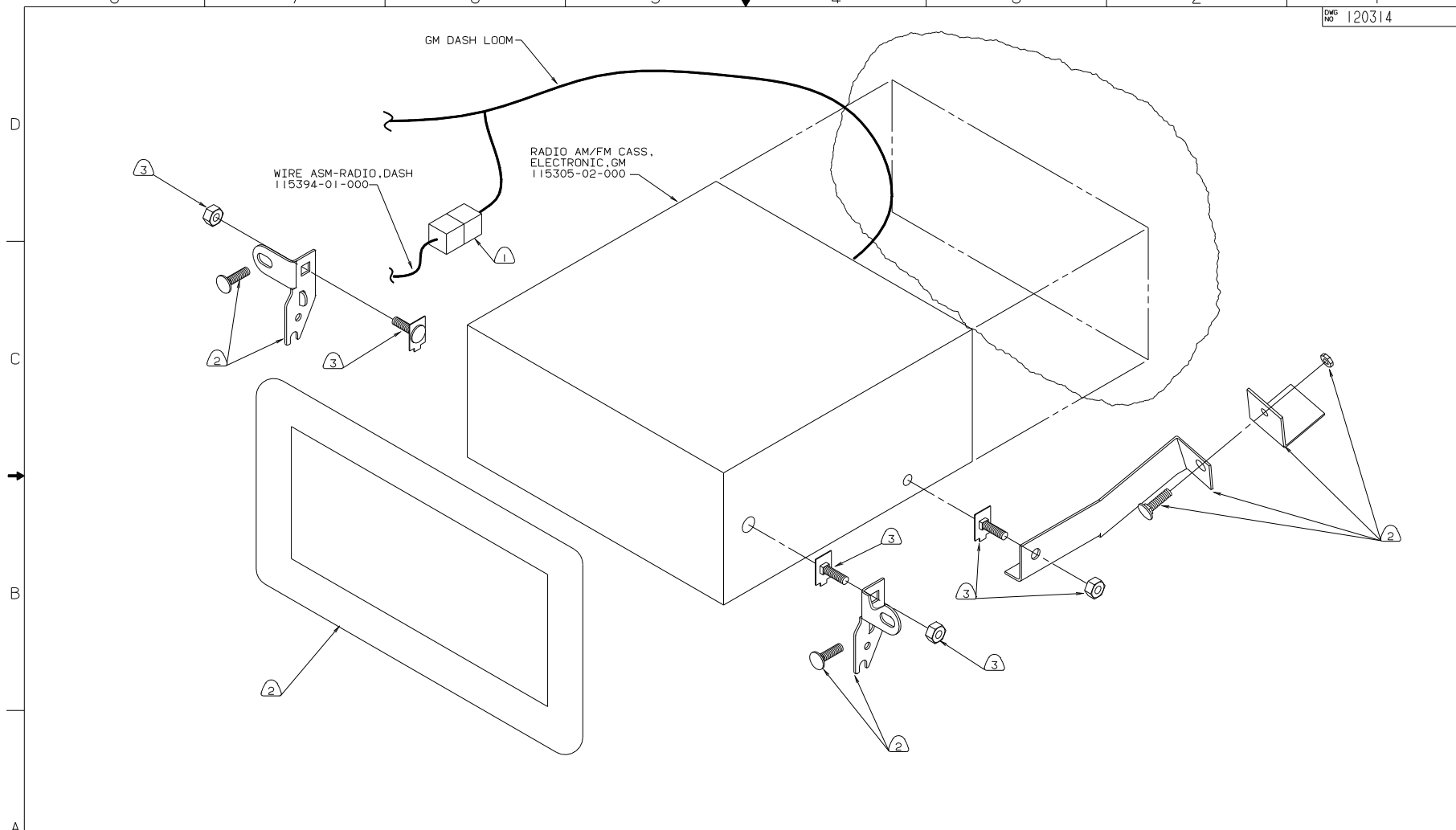
LIGHT SHIELD RADIO
114461-01-000

(4) FREQUENCY SWITCH

H-BODY & B-VAN

- NOTES:
- (4) WITH WIE EXPORT PREP SET SWITCH TO 9K/50K POSITION.
 - (3) EXCHANGE WITH CD PLAYER.
 - (2) BEND TABS ON ALL 4 SIDES TO SECURE MOUNTING BRACKET TO DASH OPENING.
 - (1) SUPPLIED WITH RADIO.

WINNEBAGO		96 MOTORHOMES	
OFTR		UNSPECIFIED TOLERANCES ARE	MATERIAL
CMR		WHOLE DIM (X1)	+
P E		ONE-PLACE (X. XX)	+
N E		TWO-PLACE (X. XX)	+
DSMR		ANGLE	+
		THIRD ANGLE PROJECTION	+
LAYOUT NO.	-----	TITLE: RADIO INSTL	
DWG #	SCALE NONE	CD ADJ. SCALE DRAWING	SIZE DWG
ALL DIMENSIONS ARE IN MILLIMETERS		SHEET 1 OF 5	DWG NO 120314



RADIO AM/FM CASS.
ELECTRONIC, GM
115305-02-000

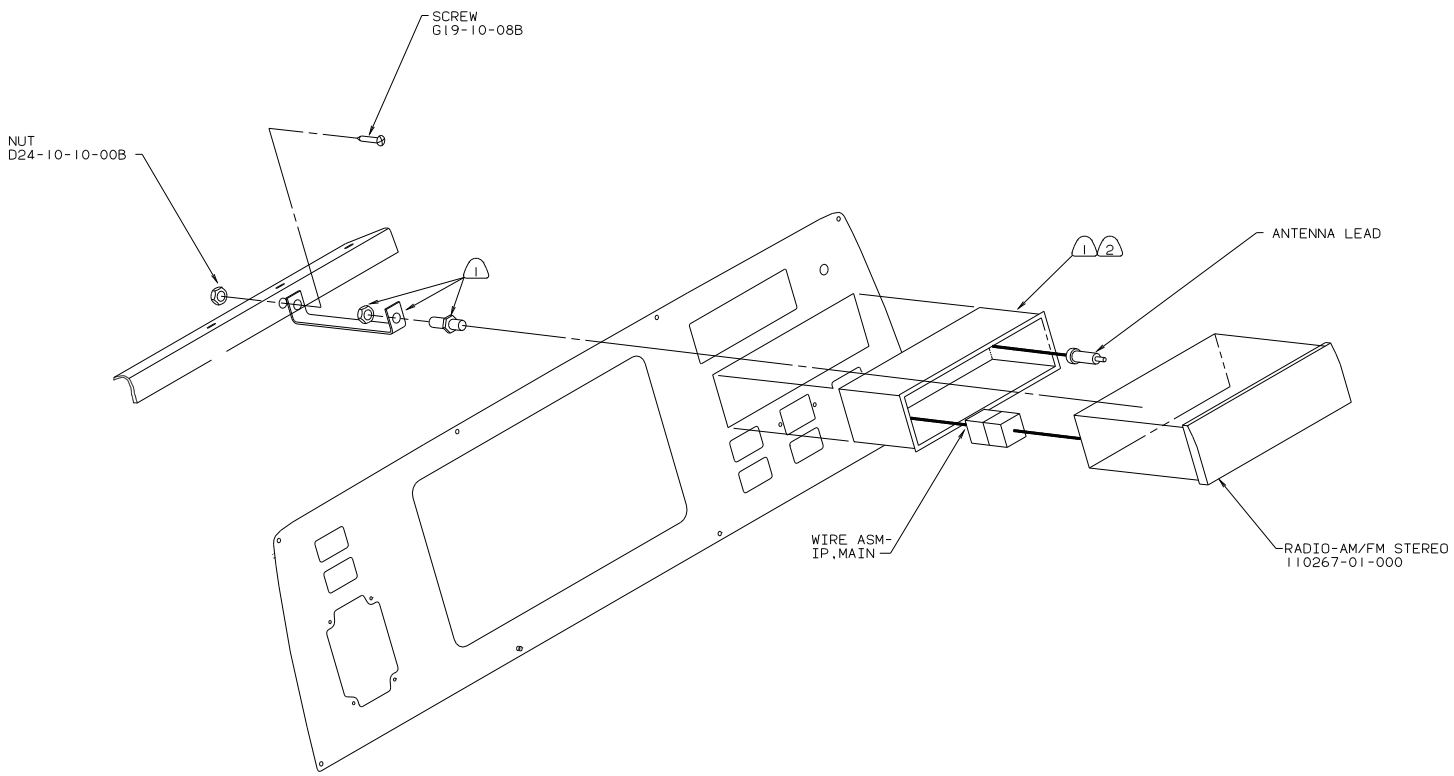
WIRE ASM-RADIO, DASH
115394-01-000

GM DASH LOOM

- NOTES:
- ③ SUPPLIED WITH RADIO.
 - ② INCLUDED WITH RADIO MOUNTING KIT, GM 115306-01-000
 - ① GM REAR SPEAKER PLUG LOCATED NEAR EMERGENCY BRAKE PEDAL.

CHEVY C-BODY

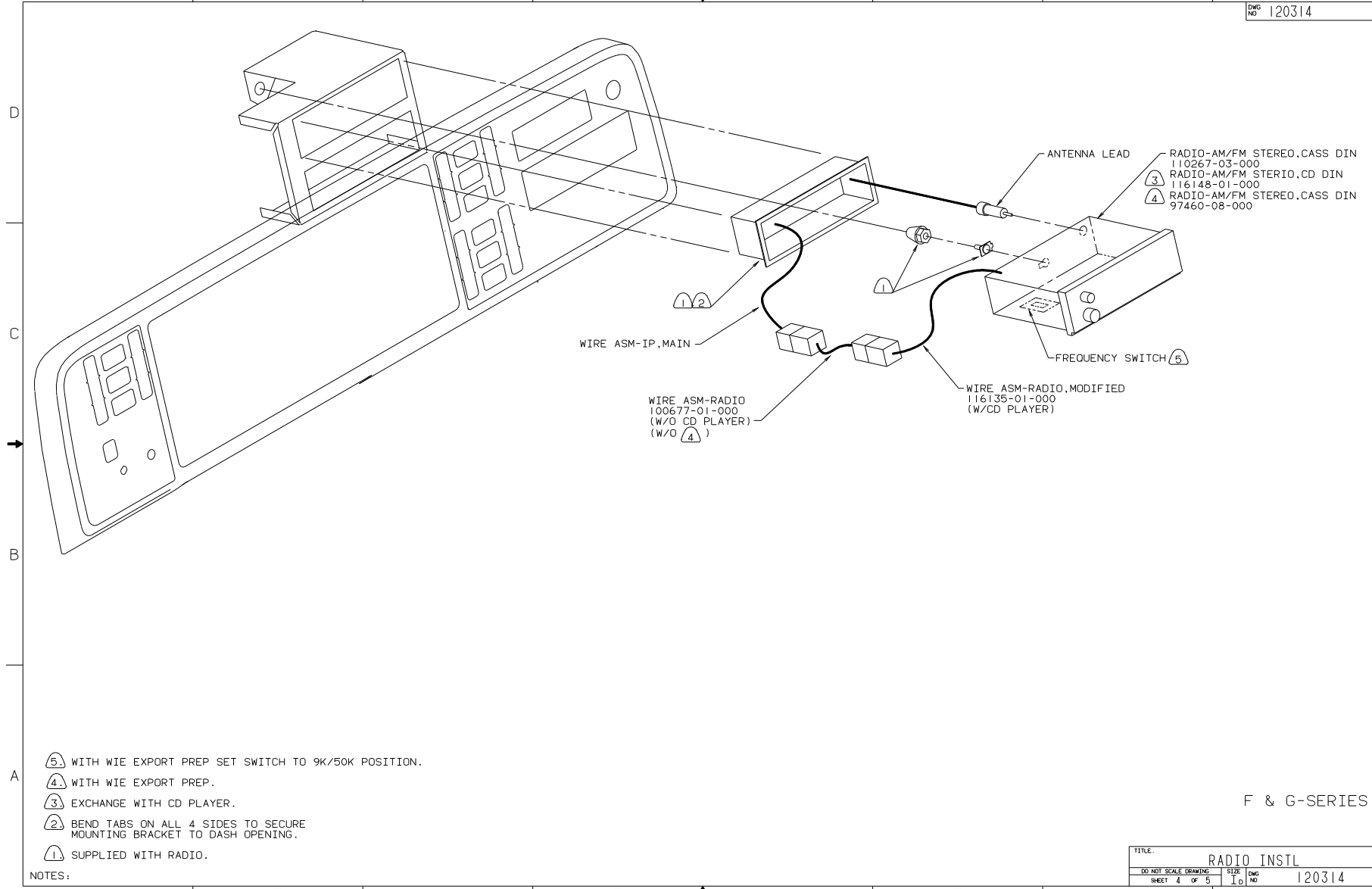
TITLE:		RADIO INSTL	
DO NOT SCALE DRAWING	SIZE	DWG NO	120314
SHEET 2	OF 5	1.0	



- NOTES:
- ② BEND TABS ON ALL 4 SIDES TO SECURE MOUNTING BRACKET TO DASH OPENING.
 - ① SUPPLIED WITH RADIO.

95 D-SERIES

TITLE:		RADIO INSTL	
DO NOT SCALE DRAWING	SIZE	DWG NO	120314
SHEET 3 OF 5	1.0		

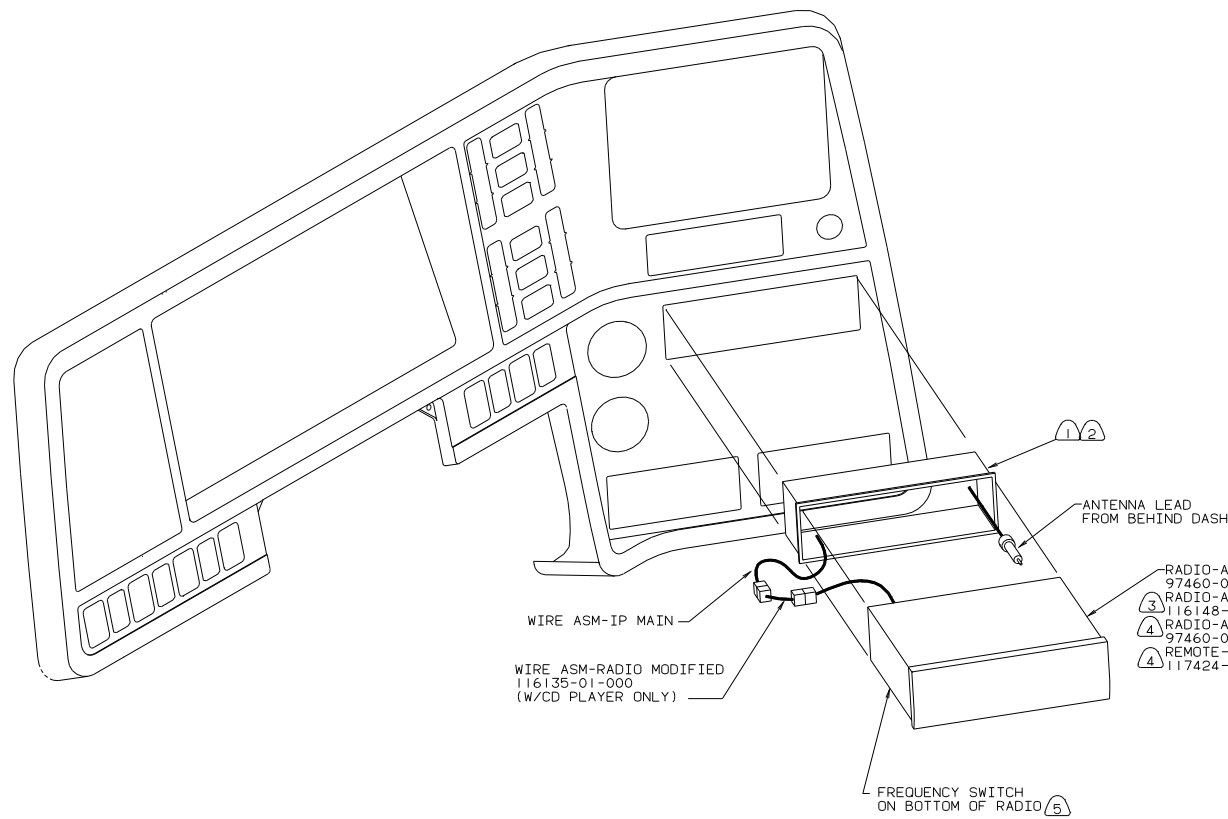


- (5) WITH WIE EXPORT PREP SET SWITCH TO 9K/50K POSITION.
- (4) WITH WIE EXPORT PREP.
- (3) EXCHANGE WITH CD PLAYER.
- (2) BEND TABS ON ALL 4 SIDES TO SECURE MOUNTING BRACKET TO DASH OPENING.
- (1) SUPPLIED WITH RADIO.

NOTES:

F & G-SERIES

TITLE:		RADIO INSTL	
DO NOT SCALE DRAWING	SIZE	DWG NO	120314
SHEET 4	OF 5		



- ③ RADIO-AM/FM STEREO,CASS DIN
97460-08-000
- ③ RADIO-AM/FM STEREO,CD PLAYER
116148-01-000
- ④ RADIO-AM/FM,CASS,CD CONT,RMT
97460-07-000
- ④ REMOTE-RADIO
117424-01-000

- NOTES:
- ⑤ WITH WIE EXPORT PREP SET SWITCH TO 9K/50K POSITION.
 - ④ FOR USE ONLY WITH DELUXE SOUND SYSTEM ONLY.
 - ③ EXCHANGE WITH CD PLAYER.
 - ② BEND TABS ON ALL 4 SIDES TO SECURE MOUNTING BRACKET TO DASH OPENING.
 - ① SUPPLIED WITH RADIO.

M & Q-SERIES

TITLE:		RADIO INSTL	
DO NOT SCALE DRAWING	SIZE	DWG NO	120314
SHEET 5	OF 5	I.D.	