



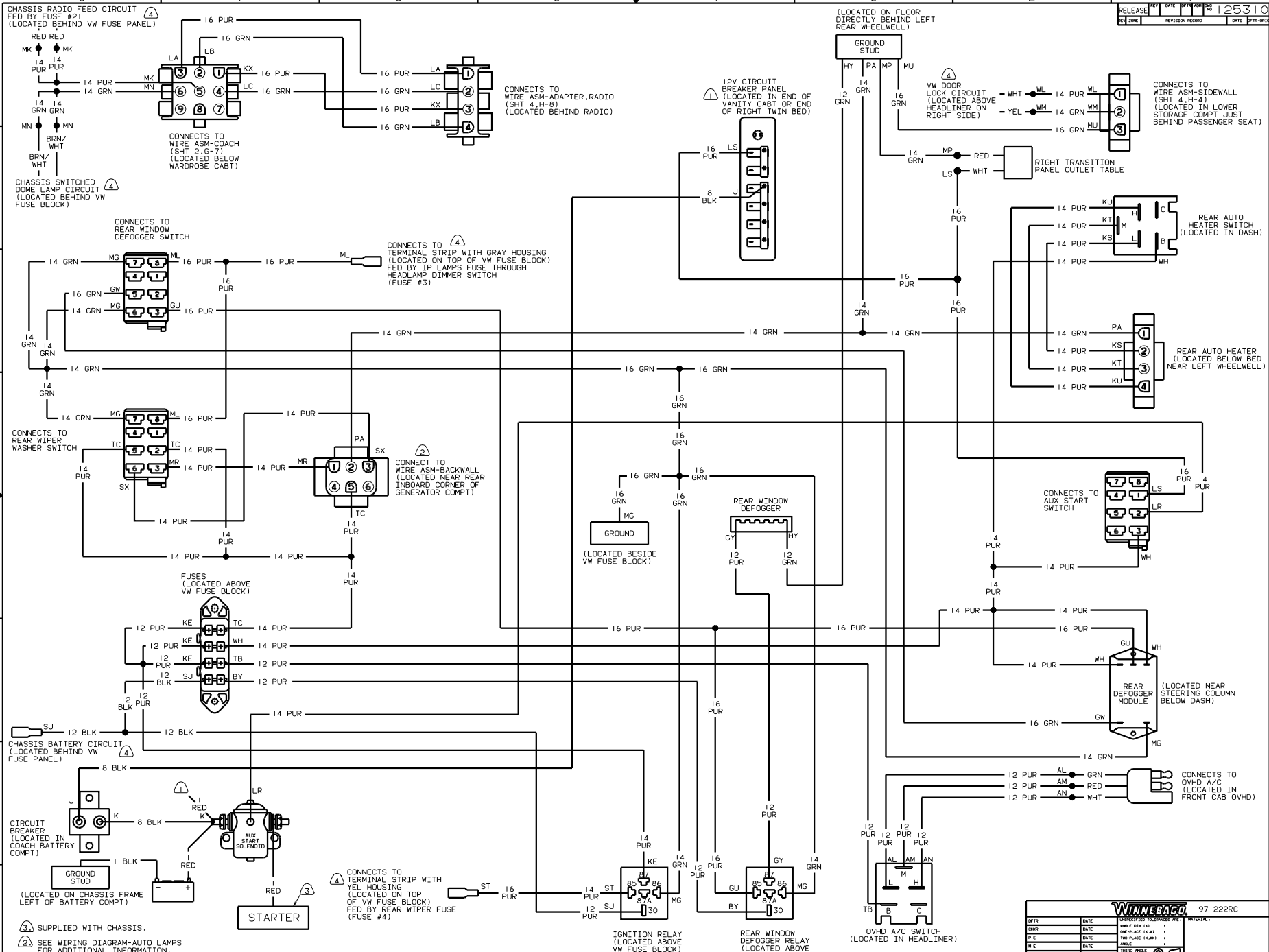
**DANGER**

**Danger of electrical shock, burns or death.** Always remove all power sources before attempting any repair, service or diagnostic work. Power can be present from shore power, generator, inverter or battery. All power sources must be disabled and secured before performing any service.



**CAUTION**

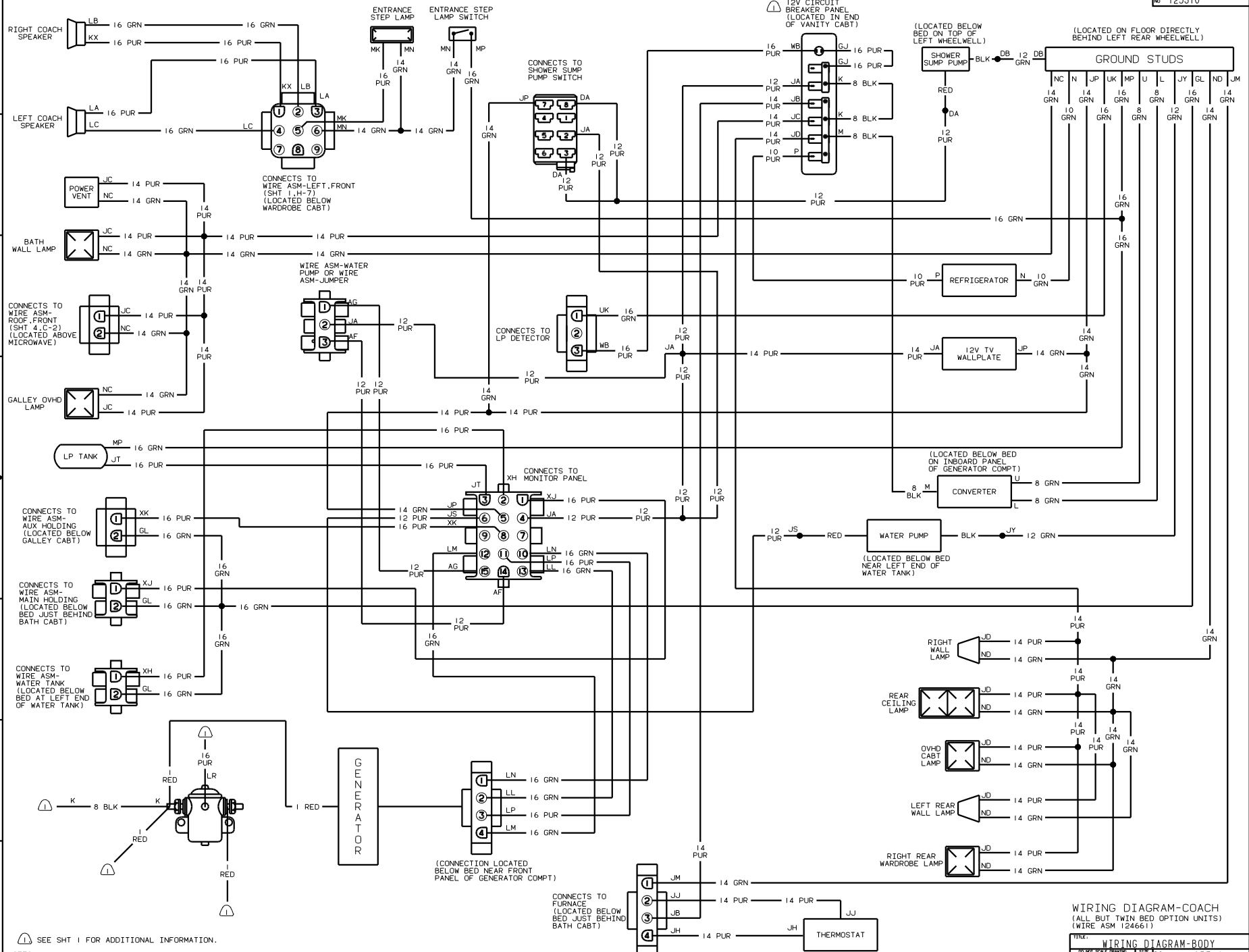
If you lack the skills, tools or equipment to perform diagnostic or repair work leave such work to an authorized Winnebago Industries dealer or other qualified shop.



- ③ SUPPLIED WITH CHASSIS.
- ② SEE WIRING DIAGRAM-AUTO LAMPS FOR ADDITIONAL INFORMATION.
- ① SEE SHT 2 OR 3 FOR ADDITIONAL INFORMATION.
- ④ SEE MANUFACTURER'S DIAGRAM FOR ADDITIONAL INFORMATION.

WIRING DIAGRAM-LEFT FRONT  
(WIRE ASM 124668)

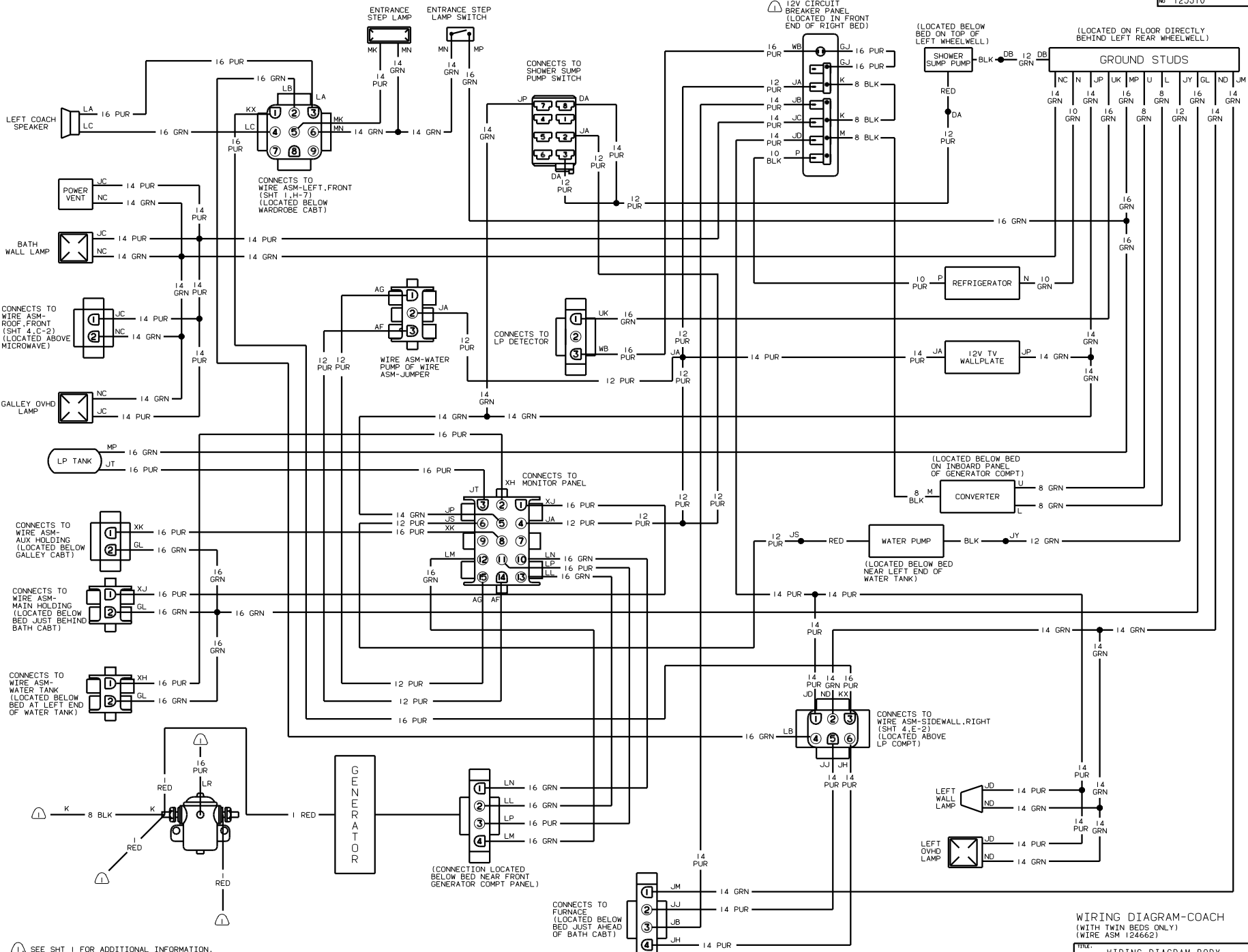
DATE	UNDESIGNED TOLERANCES ARE:	MATERIAL
DATE	WHOLE OR 1/2	
DATE	ONE-PLACE (1/32)	
DATE	TWO-PLACE (1/64)	
DATE	THREE-PLACE (1/128)	
DATE	FOUR-PLACE (1/256)	
DATE	FIVE-PLACE (1/512)	
DATE	SIX-PLACE (1/1024)	
DATE	SEVEN-PLACE (1/2048)	
DATE	EIGHT-PLACE (1/4096)	
DATE	NINE-PLACE (1/8192)	
DATE	TEN-PLACE (1/16384)	
DATE	ELEVEN-PLACE (1/32768)	
DATE	TWELVE-PLACE (1/65536)	
DATE	THIRTEEN-PLACE (1/131072)	
DATE	FOURTEEN-PLACE (1/262144)	
DATE	FIFTEEN-PLACE (1/524288)	
DATE	SIXTEEN-PLACE (1/1048576)	
DATE	SEVENTEEN-PLACE (1/2097152)	
DATE	EIGHTEEN-PLACE (1/4194304)	
DATE	NINETEEN-PLACE (1/8388608)	
DATE	TWENTY-PLACE (1/16777216)	
DATE	TWENTY-ONE PLACE (1/33554432)	
DATE	TWENTY-TWO PLACE (1/67108864)	
DATE	TWENTY-THREE PLACE (1/134217728)	
DATE	TWENTY-FOUR PLACE (1/268435456)	
DATE	TWENTY-FIVE PLACE (1/536870912)	
DATE	TWENTY-SIX PLACE (1/1073741824)	
DATE	TWENTY-SEVEN PLACE (1/2147483648)	
DATE	TWENTY-EIGHT PLACE (1/4294967296)	
DATE	TWENTY-NINE PLACE (1/8589934592)	
DATE	THIRTY PLACE (1/17179869184)	
DATE	THIRTY-ONE PLACE (1/34359738368)	
DATE	THIRTY-TWO PLACE (1/68719476736)	
DATE	THIRTY-THREE PLACE (1/137438953472)	
DATE	THIRTY-FOUR PLACE (1/274877906944)	
DATE	THIRTY-FIVE PLACE (1/549755813888)	
DATE	THIRTY-SIX PLACE (1/1099511627776)	
DATE	THIRTY-SEVEN PLACE (1/2199023255552)	
DATE	THIRTY-EIGHT PLACE (1/4398046511104)	
DATE	THIRTY-NINE PLACE (1/8796093022208)	
DATE	FOURTY PLACE (1/17592186044416)	
DATE	FOURTY-ONE PLACE (1/35184372088832)	
DATE	FOURTY-TWO PLACE (1/70368744177664)	
DATE	FOURTY-THREE PLACE (1/140737488355328)	
DATE	FOURTY-FOUR PLACE (1/281474976710656)	
DATE	FOURTY-FIVE PLACE (1/562949953421312)	
DATE	FOURTY-SIX PLACE (1/1125899906842624)	
DATE	FOURTY-SEVEN PLACE (1/2251799813685248)	
DATE	FOURTY-EIGHT PLACE (1/4503599627370496)	
DATE	FOURTY-NINE PLACE (1/9007199254740992)	
DATE	FIFTY PLACE (1/18014398509481984)	
DATE	FIFTY-ONE PLACE (1/36028797018963968)	
DATE	FIFTY-TWO PLACE (1/72057594037927936)	
DATE	FIFTY-THREE PLACE (1/144115188075855872)	
DATE	FIFTY-FOUR PLACE (1/288230376151711744)	
DATE	FIFTY-FIVE PLACE (1/576460752303423488)	
DATE	FIFTY-SIX PLACE (1/1152921504606846976)	
DATE	FIFTY-SEVEN PLACE (1/2305843009213693952)	
DATE	FIFTY-EIGHT PLACE (1/4611686018427387904)	
DATE	FIFTY-NINE PLACE (1/9223372036854775808)	
DATE	SIXTY PLACE (1/18446744073709551616)	
DATE	SIXTY-ONE PLACE (1/36893488147419103232)	
DATE	SIXTY-TWO PLACE (1/73786976294838206464)	
DATE	SIXTY-THREE PLACE (1/147573952589676412928)	
DATE	SIXTY-FOUR PLACE (1/295147905179352825856)	
DATE	SIXTY-FIVE PLACE (1/590295810358705651712)	
DATE	SIXTY-SIX PLACE (1/1180591620717411303424)	
DATE	SIXTY-SEVEN PLACE (1/2361183241434822606848)	
DATE	SIXTY-EIGHT PLACE (1/4722366482869645213696)	
DATE	SIXTY-NINE PLACE (1/9444732965739290427392)	
DATE	SEVENTY PLACE (1/18889465931478580854784)	
DATE	SEVENTY-ONE PLACE (1/37778931862957161709568)	
DATE	SEVENTY-TWO PLACE (1/75557863725914323419136)	
DATE	SEVENTY-THREE PLACE (1/151115727451828646838272)	
DATE	SEVENTY-FOUR PLACE (1/302231454903657293676544)	
DATE	SEVENTY-FIVE PLACE (1/604462909807314587353088)	
DATE	SEVENTY-SIX PLACE (1/1208925819614629174706176)	
DATE	SEVENTY-SEVEN PLACE (1/2417851639229258349412352)	
DATE	SEVENTY-EIGHT PLACE (1/4835703278458516698824704)	
DATE	SEVENTY-NINE PLACE (1/9671406556917033397649408)	
DATE	EIGHTY PLACE (1/19342813113834066795298816)	
DATE	EIGHTY-ONE PLACE (1/38685626227668133590597632)	
DATE	EIGHTY-TWO PLACE (1/77371252455336267181195264)	
DATE	EIGHTY-THREE PLACE (1/154742504910672534362390528)	
DATE	EIGHTY-FOUR PLACE (1/309485009821345068724781056)	
DATE	EIGHTY-FIVE PLACE (1/618970019642690137449562112)	
DATE	EIGHTY-SIX PLACE (1/1237940039285380274899124224)	
DATE	EIGHTY-SEVEN PLACE (1/2475880078570760549798248448)	
DATE	EIGHTY-EIGHT PLACE (1/4951760157141521099596488896)	
DATE	EIGHTY-NINE PLACE (1/9903520314283042199192977792)	
DATE	NINETY PLACE (1/19807040628566084398385955904)	
DATE	NINETY-ONE PLACE (1/39614081257132168796771911808)	
DATE	NINETY-TWO PLACE (1/79228162514264337593543823616)	
DATE	NINETY-THREE PLACE (1/158456325028528675187087647232)	
DATE	NINETY-FOUR PLACE (1/316912650057057350374175294464)	
DATE	NINETY-FIVE PLACE (1/633825300114114700748350588928)	
DATE	NINETY-SIX PLACE (1/1267650600228229401496701177856)	
DATE	NINETY-SEVEN PLACE (1/2535301200456458802993402355712)	
DATE	NINETY-EIGHT PLACE (1/5070602400912917605986804711424)	
DATE	NINETY-NINE PLACE (1/10141204801825835211973609422848)	
DATE	HUNDRED PLACE (1/20282409603651670423947218845696)	



NOTES: SEE SHT 1 FOR ADDITIONAL INFORMATION.

WIRING DIAGRAM-COACH (ALL BUT TWIN BED OPTION UNITS) (WIRE ASM 124661)

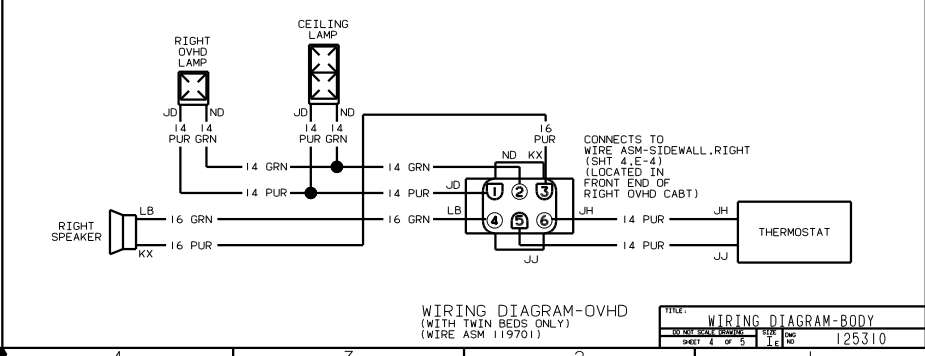
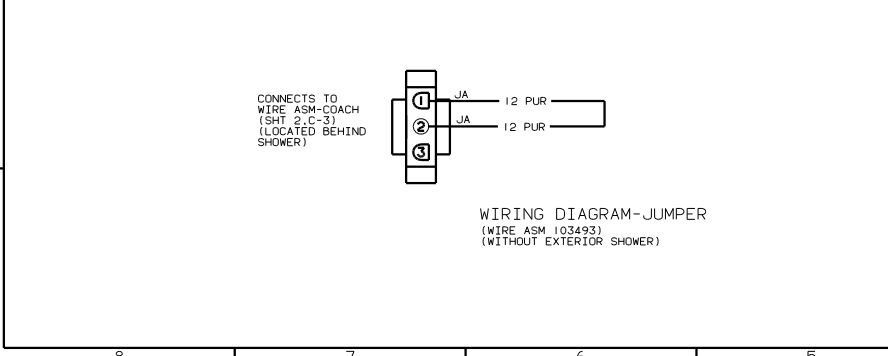
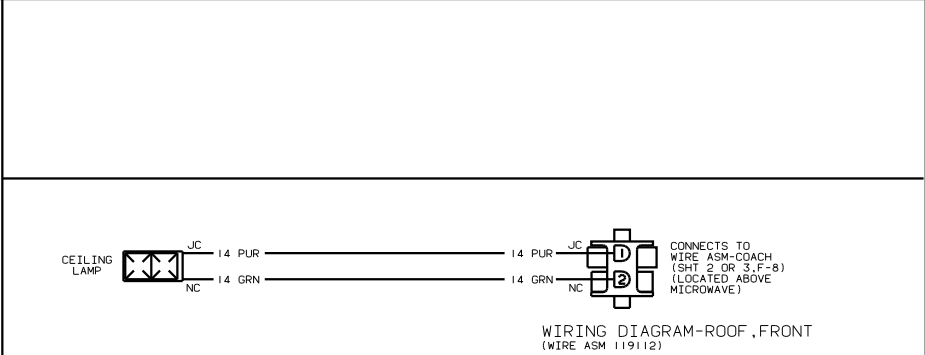
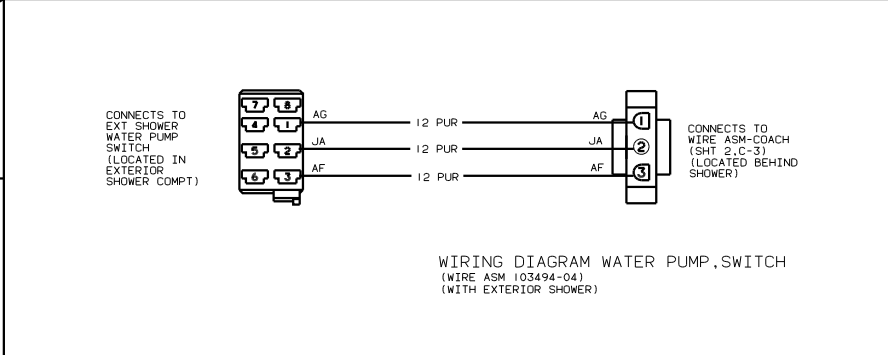
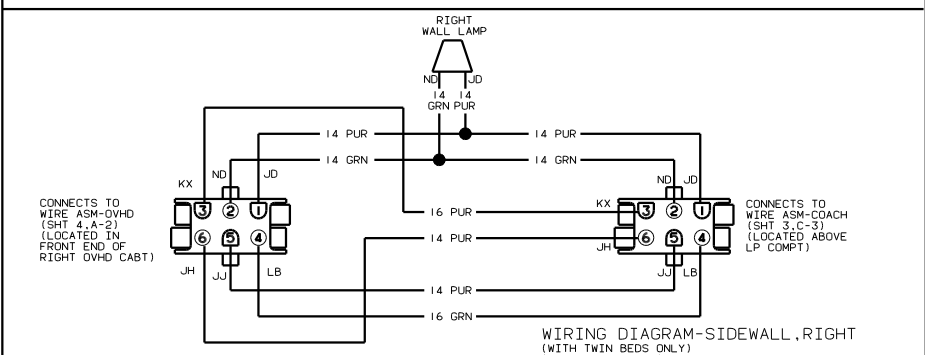
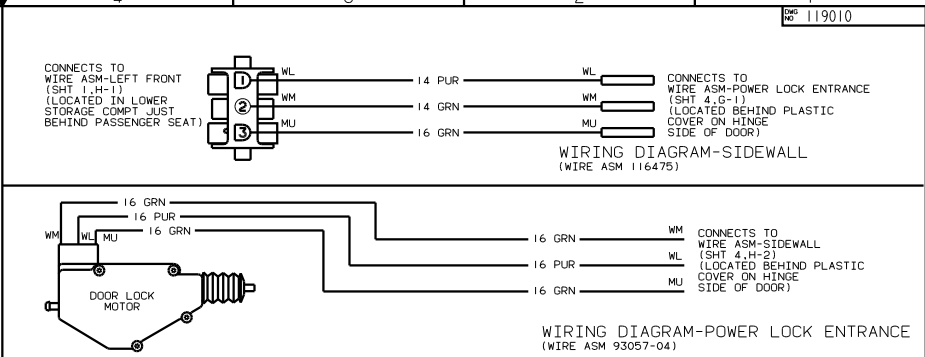
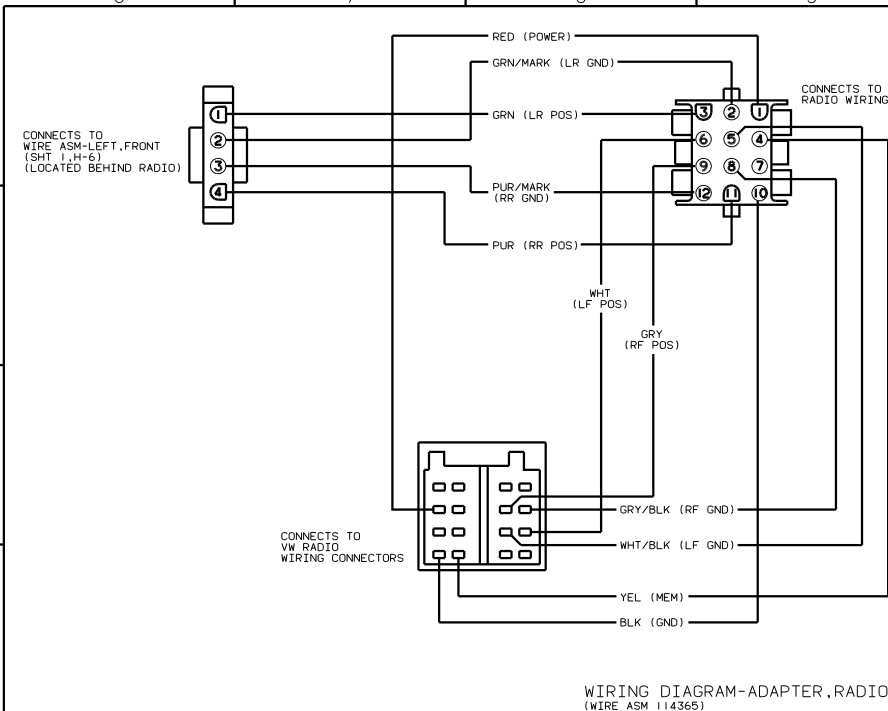
WIRING DIAGRAM-BODY

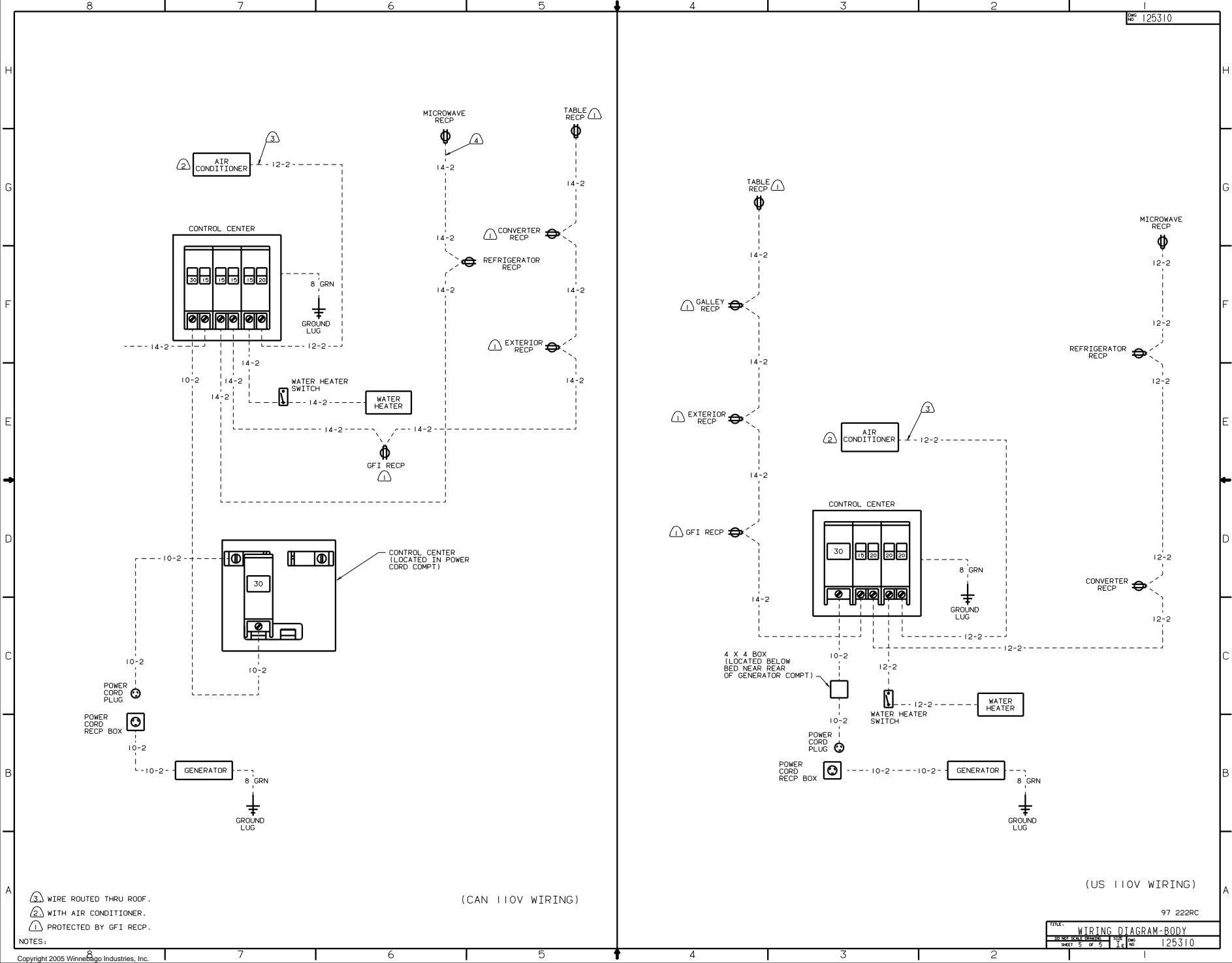


NOTES: SEE SHIT 1 FOR ADDITIONAL INFORMATION.

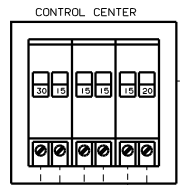
WIRING DIAGRAM-COACH (WITH TWIN BEDS ONLY) (WIRE ASM 124662)

TITLE:	WIRING DIAGRAM-BODY
NO. OF SHEETS:	5
SHEET NO.:	3
REV. NO.:	1
DATE:	
DRAWN BY:	
CHECKED BY:	
DATE:	
NO.:	125310





AIR CONDITIONER



MICROWAVE RECP



TABLE RECP

CONVERTER RECP

REFRIGERATOR RECP

EXTERIOR RECP

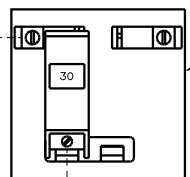
WATER HEATER SWITCH



WATER HEATER

GFI RECP

CONTROL CENTER (LOCATED IN POWER CORD COMPT)



POWER CORD PLUG



GENERATOR



GROUND LUG

TABLE RECP



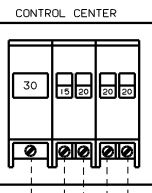
GALLEY RECP



EXTERIOR RECP



GFI RECP



4 X 4 BOX (LOCATED BELOW BED NEAR REAR OF GENERATOR COMPT)

POWER CORD PLUG



WATER HEATER SWITCH



WATER HEATER

GENERATOR



GROUND LUG

MICROWAVE RECP

REFRIGERATOR RECP

CONVERTER RECP

CONTROL CENTER

8 GRN



GROUND LUG

(US 110V WIRING)

97 222RC

TITLE	WIRING DIAGRAM-BODY
30 NO SCALE DRAWING	110V
SHEET 5 OF 5	1/E
	125310

NOTES:  
 (3) WIRE ROUTED THRU ROOF.  
 (2) WITH AIR CONDITIONER.  
 (1) PROTECTED BY GFI RECP.

(CAN 110V WIRING)