



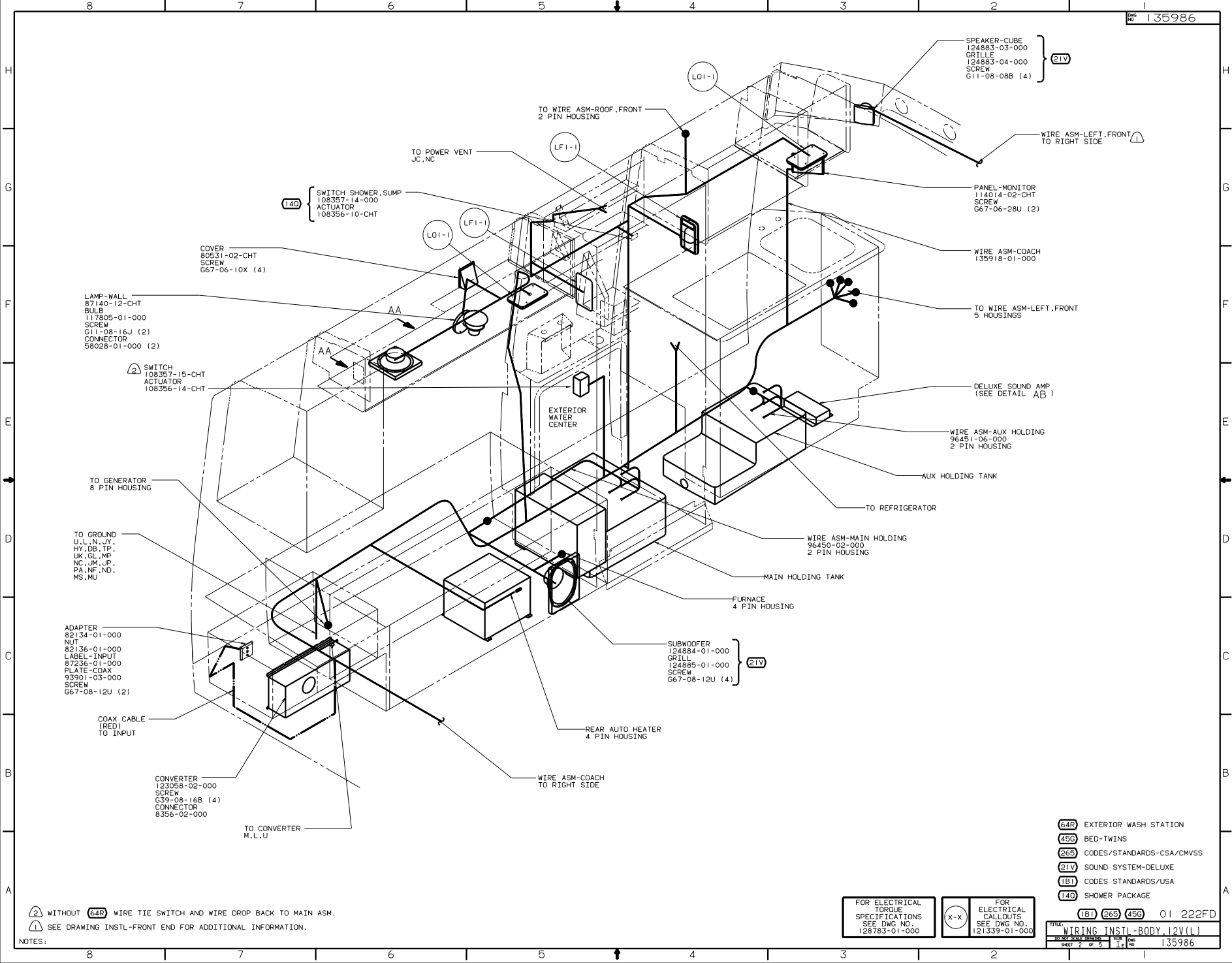
DANGER

Danger of electrical shock, burns or death. Always remove all power sources before attempting any repair, service or diagnostic work. Power can be present from shore power, generator, inverter or battery. All power sources must be disabled and secured before performing any service.



CAUTION

If you lack the skills, tools or equipment to perform diagnostic or repair work leave such work to an authorized Winnebago Industries dealer or other qualified shop.



SPEAKER-CUBE
124883-03-000
GRILLE
124885-04-000
SCREW
G11-08-08B (4) } 21V

140 { SWITCH SHOWER_SUMP
108357-14-000
ACTUATOR
108356-10-CHT

LAMP-WALL
87140-12-CHT
BULB
117805-01-000
SCREW
G11-08-16J (2)
CONNECTOR
58028-01-000 (2)

2 SWITCH
108357-15-CHT
ACTUATOR
108356-14-CHT

COVER
80531-02-CHT
SCREW
G67-06-10X (4)

PANEL-MONITOR
114014-02-CHT
SCREW
G67-06-28U (2)

WIRE ASM-COACH
135918-01-000

TO WIRE ASM-LEFT.FRONT
5 HOUSINGS

DELUXE SOUND AMP
(SEE DETAIL AB)

WIRE ASM-AUX HOLDING
96451-06-000
2 PIN HOUSING

AUX HOLDING TANK

TO REFRIGERATOR

WIRE ASM-MAIN HOLDING
96450-02-000
2 PIN HOUSING

MAIN HOLDING TANK

FURNACE
4 PIN HOUSING

SUBWOOFER
124884-01-000
GRILLE
124885-01-000
SCREW
G67-08-12U (4) } 21V

REAR AUTO HEATER
4 PIN HOUSING

WIRE ASM-COACH
TO RIGHT SIDE

CONVERTER
123088-02-000
SCREW
G39-08-16B (4)
CONNECTOR
8356-02-000

TO CONVERTER
M.L.U.

TO GENERATOR
8 PIN HOUSING

TO GROUND
U.L,N,J,Y,
HY,DB,TP,
UK,GL,MP,
NC,JM,NP,
PA,NF,ND,
MS,MU

ADAPTER
82134-01-000
NUT
82136-01-000
LABEL-INPUT
87236-01-000
PLATE-COAX
93901-03-000
SCREW
G67-08-12U (2)

COAX CABLE
(RED)
TO INPUT

TO POWER VENT
JC,NC

TO WIRE ASM-ROOF.FRONT
2 PIN HOUSING

WIRE ASM-LEFT.FRONT
TO RIGHT SIDE

EXTERIOR
WATER
CENTER

- 64R EXTERIOR WASH STATION
- 45G BED-TWINS
- 26S CODES/STANDARDS-CSA/CMVSS
- 21V SOUND SYSTEM-DELUXE
- 1B1 CODES STANDARDS/USA
- 140 SHOWER PACKAGE

1B1 26S 45G 01 222FD

FOR ELECTRICAL
TORQUE
SPECIFICATIONS
SEE DWG NO.
128783-01-000

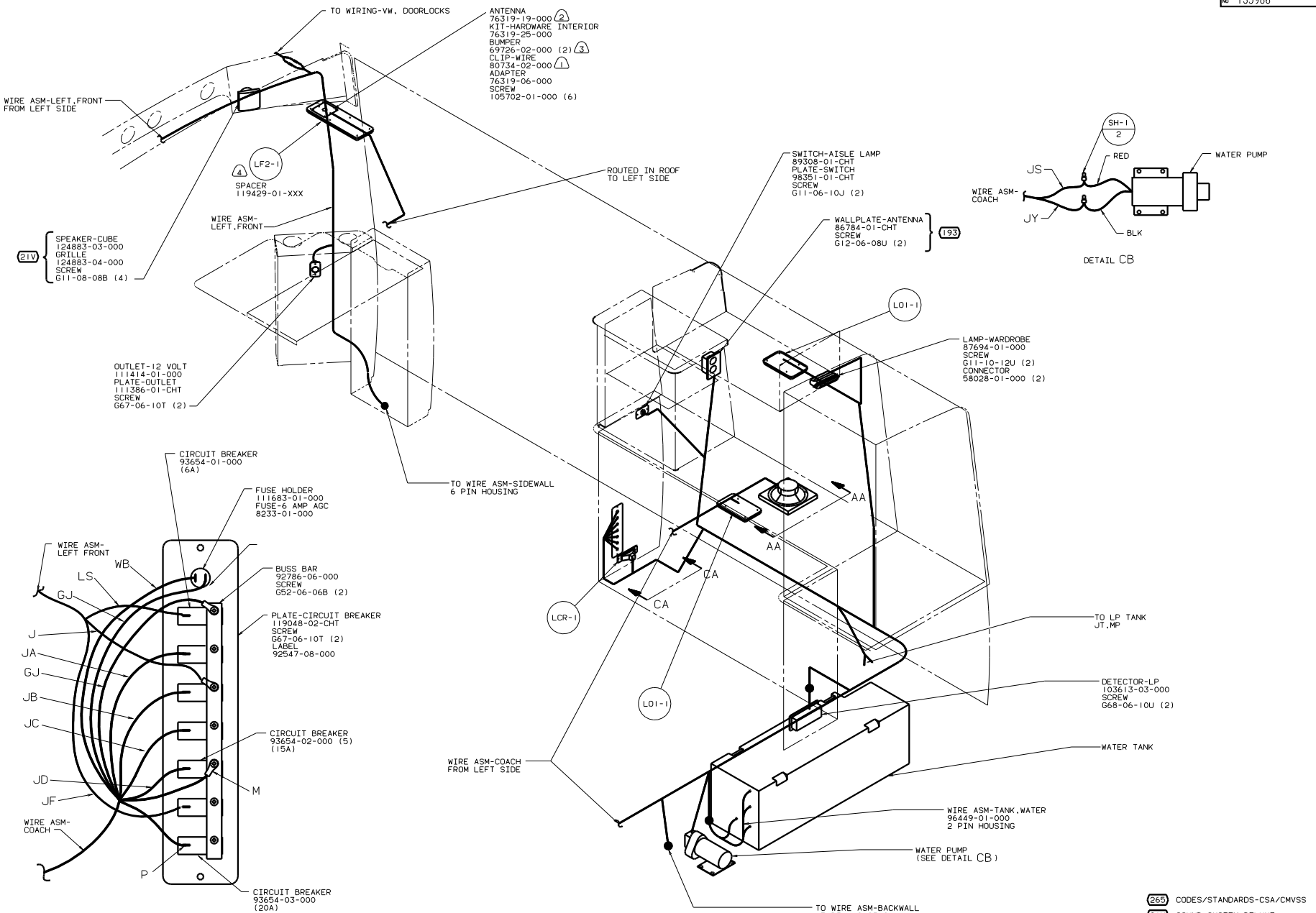
X-X FOR
ELECTRICAL
CALLOUTS.
SEE DWG NO.
121339-01-000

TITLE: WIRING INSTL-BODY.12V(L)
DWG NO. 135986
SHEET 2 OF 5

2 WITHOUT 64R WIRE TIE SWITCH AND WIRE DROP BACK TO MAIN ASM.

1 SEE DRAWING INSTL-FRONT END FOR ADDITIONAL INFORMATION.

NOTES:



TO WIRING-VW. DOORLOCKS

ANTENNA
76319-19-000 (2)
KIT-HARDWARE INTERIOR
76319-25-000
BUMPER
69726-02-000 (2) (3)
CLIP-WIRE
80734-02-000 (1)
ADAPTER
76319-06-000
SCREW
105702-01-000 (6)

WIRE ASM-LEFT, FRONT FROM LEFT SIDE

LF2-1

4

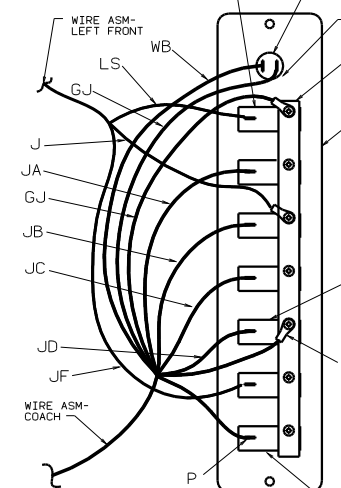
SPACER
119429-01-XXX

(21V) {
SPEAKER-CUBE
124883-03-000
GRILLE
124883-04-000
SCREW
G11-08-08B (4)

OUTLET-12 VOLT
111414-01-000
PLATE-OUTLET
111386-01-CHT
SCREW
G67-06-10T (2)

CIRCUIT BREAKER
93654-01-000
(6A)

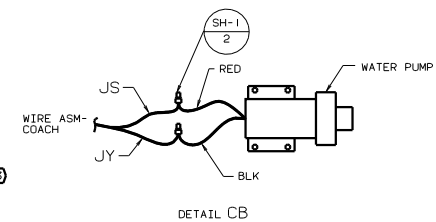
FUSE HOLDER
111683-01-000
FUSE-6 AMP AGC
8233-01-000



ROUTED IN ROOF TO LEFT SIDE

SWITCH-AISLE LAMP
89308-01-CHT
PLATE-SWITCH
98351-01-CHT
SCREW
G11-06-10J (2)

WALLPLATE-ANTENNA
86784-01-CHT
SCREW
G12-06-08U (2) (193)



LAMP-WARDROBE
87694-01-000
SCREW
G11-10-12U (2)
CONNECTOR
58028-01-000 (2)

TO WIRE ASM-SIDEWALL
6 PIN HOUSING

LCR-1

LOI-1

TO LP TANK
JT, MP

DETECTOR-LP
103613-03-000
SCREW
G68-06-10U (2)

WATER TANK

WIRE ASM-TANK, WATER
96449-01-000
2 PIN HOUSING

WATER PUMP
(SEE DETAIL CB)

TO WIRE ASM-BACKWALL
15 PIN HOUSING

- NOTES:
- (4) PILOT HOLES MUST BE DRILLED FOR SCREW CLEARANCE.
 - (3) ADD RUBBER BUMPER TO ROOF UNDER EACH END OF ANTENNA IN DOWN POSITION WHICH MAY COME IN CONTACT WITH ROOF.
 - (2) SEE DRAWING 76319-01-000 FOR ADDITIONAL INFORMATION.
 - (1) LOCATE TO RETAIN CABLE BUT NOT RESTRICT TRAVEL OF ANTENNA.

- (265) CODES/STANDARDS-CSA/CMVSS
- (21V) SOUND SYSTEM-DELUXE
- (1B1) CODES STANDARDS/USA
- (193) TV ANTENNA
- (012) BED-DOUBLE-CORNER

FOR ELECTRICAL TORQUE SPECIFICATIONS SEE DWG NO. 128783-01-000

FOR ELECTRICAL CALLOUTS SEE DWG NO. 121339-01-000

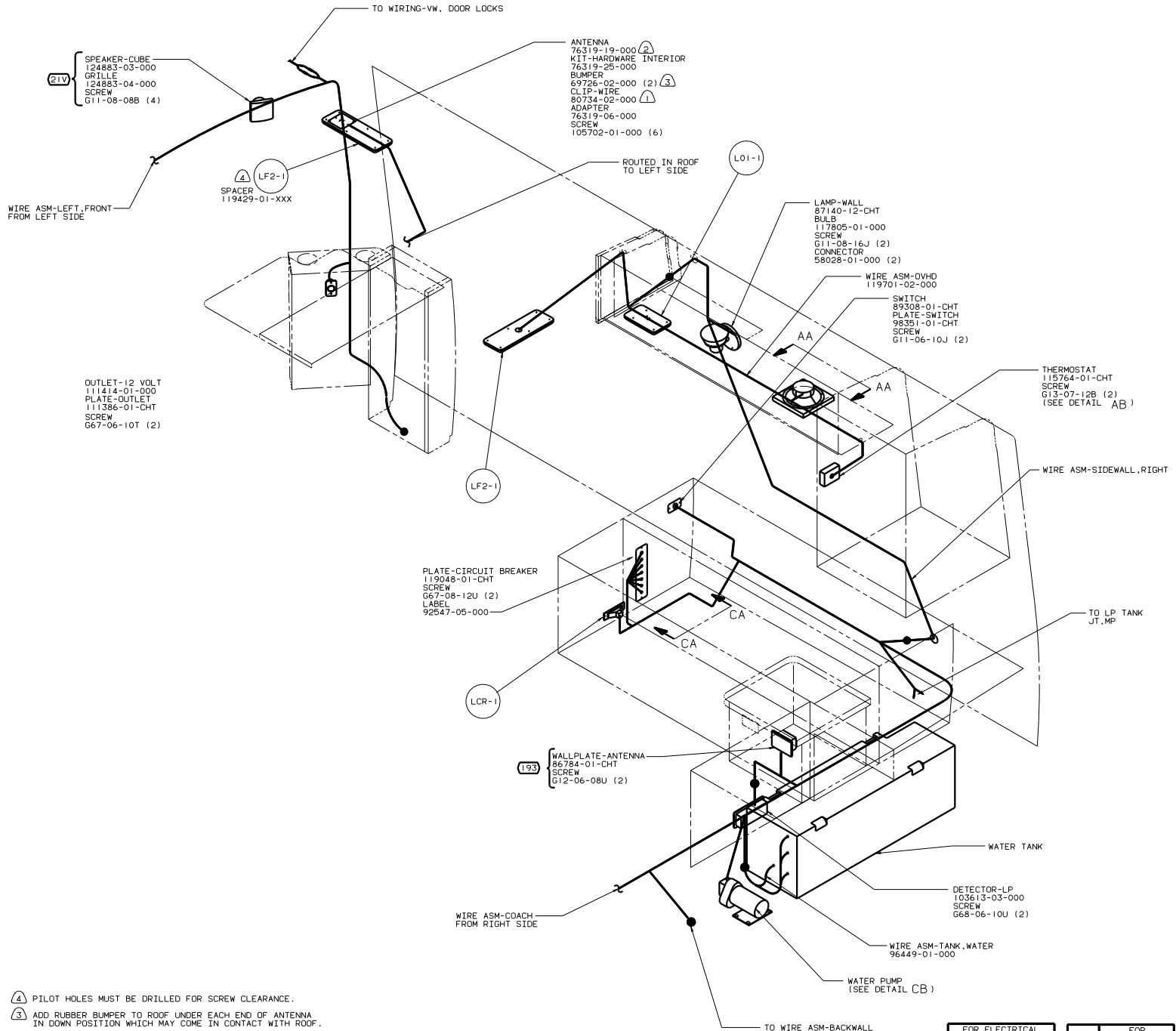
(1B1) (265) (012) 01 222FD

TITLE: WIRING INSTL-BODY, 12V(R)

NO. OF SHEETS: 5 SHEET 3 OF 5

DATE: 1.6.86

135986



21V
 SPEAKER-CUBE
 124883-03-000
 GRILLE
 124883-04-000
 SCREW
 G11-08-08B (4)

LF2-1
 SPACER
 119429-01-XXX

ANTENNA
 76319-19-000 (2)
 KIT-HARDWARE INTERIOR
 76319-25-000
 BUMPER
 69726-02-000 (2) (3)
 CLIP-WIRE
 80734-02-000 (1)
 ADAPTER
 76319-06-000
 SCREW
 105702-01-000 (6)

ROUTED IN ROOF
 TO LEFT SIDE

L01-1

LAMP-WALL
 87140-12-CHT
 BULB
 117805-01-000
 SCREW
 G11-08-16J (2)
 CONNECTOR
 58028-01-000 (2)

WIRE ASM-DVHD
 119701-02-000

SWITCH
 89308-01-CHT
 PLATE-SWITCH
 98351-01-CHT
 SCREW
 G11-06-10J (2)

THERMOSTAT
 115764-01-CHT
 SCREW
 G13-07-12B (2)
 (SEE DETAIL AB)

WIRE ASM-LEFT_FRONT
 FROM LEFT SIDE

OUTLET-12 VOLT
 111414-01-000
 PLATE-OUTLET
 111386-01-CHT
 SCREW
 G67-06-10T (2)

LF2-1

WIRE ASM-SIDEWALL_RIGHT

PLATE-CIRCUIT BREAKER
 119048-01-CHT
 SCREW
 G67-08-12U (2)
 LABEL
 92647-05-000

TO LP TANK
 JT, MP

LCR-1

193
 WALLPLATE-ANTENNA
 86784-01-CHT
 SCREW
 G12-06-08U (2)

WATER TANK

WIRE ASM-COACH
 FROM RIGHT SIDE

DETECTOR-LP
 103613-03-000
 SCREW
 G68-06-10U (2)

WIRE ASM-TANK_WATER
 96449-01-000

WATER PUMP
 (SEE DETAIL CB)

TO WIRE ASM-BACKWALL
 15 PIN HOUSING

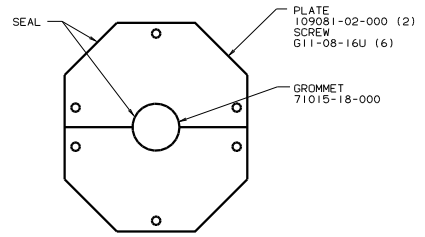
- NOTES:
- (1) PILOT HOLES MUST BE DRILLED FOR SCREW CLEARANCE.
 - (2) ADD RUBBER BUMPER TO ROOF UNDER EACH END OF ANTENNA IN DOWN POSITION WHICH MAY COME IN CONTACT WITH ROOF.
 - (3) SEE DRAWING 76319-01-000 FOR ADDITIONAL INFORMATION.
 - (4) LOCATE TO RETAIN CABLE BUT NOT RESTRICT TRAVEL OF ANTENNA.

- (456) BED-TWINS
- (265) CODES/STANDARDS-CSA/CMVSS
- (21V) SOUND SYSTEM-DELUXE
- (181) CODES STANDARDS/USA
- (193) TV ANTENNA

FOR ELECTRICAL
 TORQUE
 SPECIFICATIONS
 SEE DWG NO.
 128783-01-000

FOR
 ELECTRICAL
 CALLOUTS
 SEE DWG NO.
 121339-01-000

(181) (265) (456) 01 222FD
 TITLE: WIRING INSTL-BODY_12V(R)
 SHEET 4 OF 5
 135986



- ② LAMP-CLEARANCE, RED
111102-01-000 (5)
LAMP-MARKER, LENS, RED
111102-03-000 (5)
SCREW
639-08-12U (EXT) (10)
- ④ LAMP ASM-CENTER BRAKE
136916-01-000
SCREW
011-08-20T (2)
BLK/WHT - YEL
BLK - WHT

LF1-1

TO WIPER MOTOR
5 PIN HOUSING

WIRE ASM-BACKWALL
135705-01-000

TO WASHER PUMP
2 PIN HOUSING

TO WIRE ASM-LICENSE PLATE LAMP
2 PIN HOUSING

CONNECTOR-SOCKET, TRAILER
SCREW
101618-01-000 (2)

③ WIRE ASM-LEFT, FRONT

③ TO VOLKSWAGEN
WIRE ASM-
TAIL LAMPS

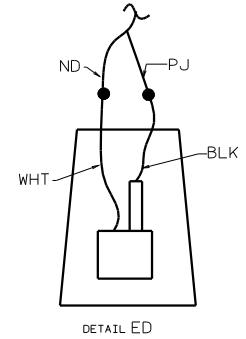
WIRE ASM-COACH

LAMP-CLEARANCE, AMBER ⑤
113709-01-000 (5)
SCREW
011-08-12T (10)
CONNECTOR
58028-01-000 (10)

- LAMP ASM
112126-03-000 (RH)
112126-04-000 (LH)
- SOCKET-LAMP
112709-01-000 (2)
112709-02-000 (2)
112709-03-000 (2)
- BULB
112707-01-000 (4)
112708-01-000 (2)
- BRACKET ASM-TAIL LAMP
113778-03-000 (2)
- SCREW
639-10-209 (4)
GROMMET
23942-01-000 (2)

LEXT 2UL LEXT 2CA ④

SEE DETAIL EB
FOR WIRING
CONNECTIONS



- ⑥ INSTALL WITH WIRES TOWARDS ROOF.
 - ⑤ CONNECT WIRE HX (YEL) TO RED WIRE AND WIRE MS (WHT) TO WHT WIRE.
 - ④ ON INTERIOR OF CAP, GRIND OFF TIP OF SCREW PRIOR TO SEALING (TO PROVIDE INNER LINER CLEARANCE)
 - ③ SEE WIRING INSTL-FRONT END FOR ADDITIONAL INFORMATION.
 - ② LOCATE ON CENTER OF HOLE IN CAP ASM-REAR.
1. CONNECTOR-PLUG, TRAILER 113589-01-000 TO BE SUPPLIED LOOSE IN COACH WITH TRAILER TOW PACKAGE.

NOTES:

②65 CODES/STANDARDS-CSA/CMVSS
①B1 CODES STANDARDS/USA
①B1 ②65 01 222FD

FOR ELECTRICAL
TORQUE
SPECIFICATIONS
SEE DWG NO.
128783-01-000

WIRING INSTL-BODY, 12V(EXT)
30 DAY SCALE DRAWING
SHEET 5 OF 5
DWG NO. 135986