



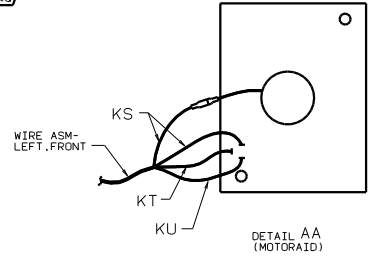
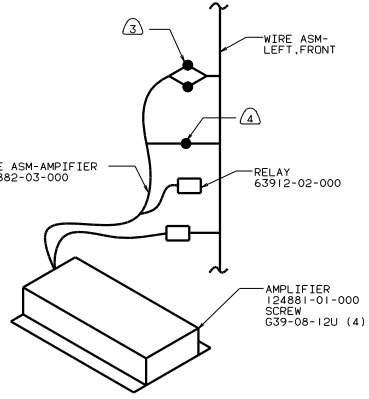
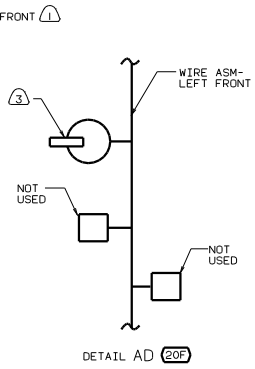
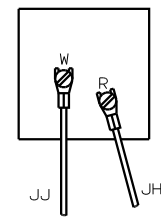
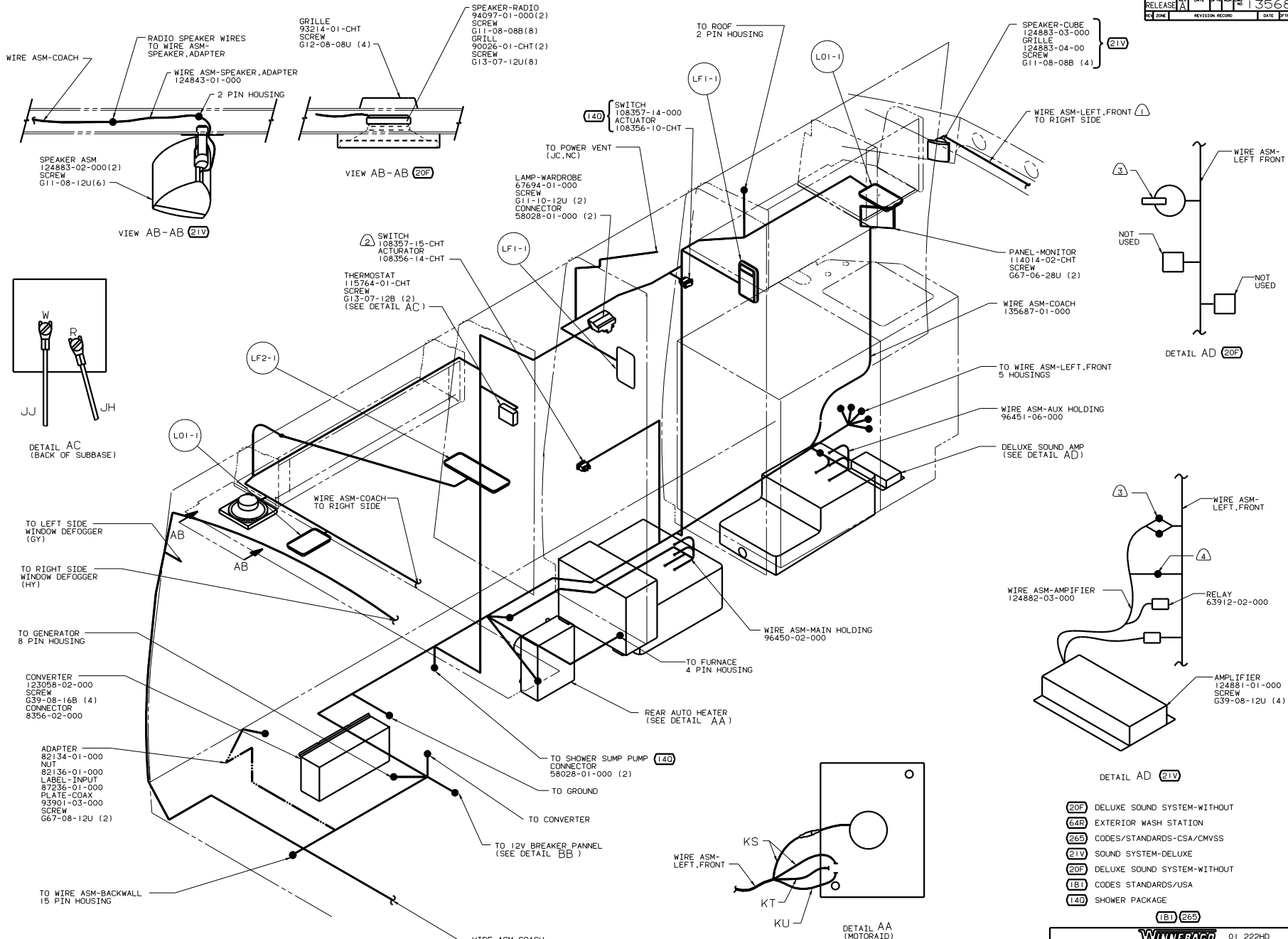
**DANGER**

**Danger of electrical shock, burns or death.** Always remove all power sources before attempting any repair, service or diagnostic work. Power can be present from shore power, generator, inverter or battery. All power sources must be disabled and secured before performing any service.



**CAUTION**

If you lack the skills, tools or equipment to perform diagnostic or repair work leave such work to an authorized Winnebago Industries dealer or other qualified shop.



- NOTES:
- ④ CONNECT MATING 4 PIN HOUSING.
  - ③ CONNECT MATING 5 PIN HOUSING.
  - ② WITHOUT 64R WIRE TIE TACK AND WIRE DROP BACK TO MAIN ASM.
  - ① SEE WIRING INSTL-FRONT END FOR ADDITIONAL INFORMATION.

FOR ELECTRICAL TORQUE SPECIFICATIONS SEE DWG NO. 128783-01-000

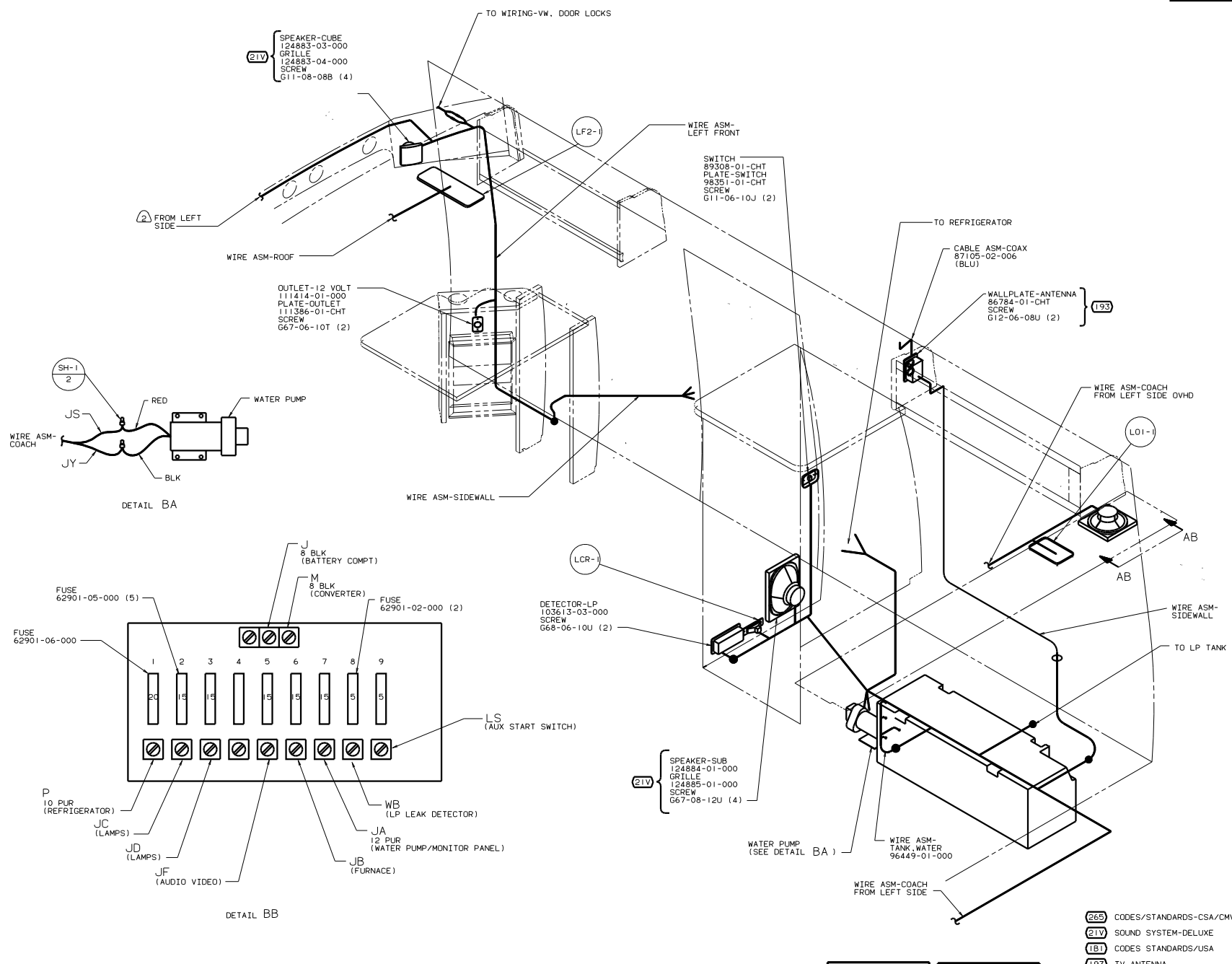
X-X FOR ELECTRICAL CALLOUTS SEE DWG NO. 121339-01-000

- 20F DELUXE SOUND SYSTEM-WITHOUT
- 64R EXTERIOR WASH STATION
- 265 CODES/STANDARDS-CSA/CMVSS
- 21V SOUND SYSTEM-DELUXE
- 20F DELUXE SOUND SYSTEM-WITHOUT
- 1B1 CODES STANDARDS/USA
- 140 SHOWER PACKAGE

LAYOUT		TITLE		01 222-HD	
DATE	UNDESIGNED TOLERANCES ARE:	MATERIAL:			
DATE	WHOLE OR 1/2				
DATE	ONE-PLATE (1/16)				
DATE	TWO-PLATE (1/32)				
DATE	THREE-PLATE (1/64)				
DATE	FOUR-PLATE (1/128)				
DATE	FIVE-PLATE (1/256)				
DATE	SIX-PLATE (1/512)				
DATE	SEVEN-PLATE (1/1024)				
DATE	EIGHT-PLATE (1/2048)				
DATE	NINE-PLATE (1/4096)				
DATE	TEN-PLATE (1/8192)				
DATE	ELEVEN-PLATE (1/16384)				
DATE	TWELVE-PLATE (1/32768)				
DATE	THIRTEEN-PLATE (1/65536)				
DATE	FOURTEEN-PLATE (1/131072)				
DATE	FIFTEEN-PLATE (1/262144)				
DATE	SIXTEEN-PLATE (1/524288)				
DATE	SEVENTEEN-PLATE (1/1048576)				
DATE	EIGHTEEN-PLATE (1/2097152)				
DATE	NINETEEN-PLATE (1/4194304)				
DATE	TWENTY-PLATE (1/8388608)				
DATE	TWENTY-ONE PLATE (1/16777216)				
DATE	TWENTY-TWO PLATE (1/33554432)				
DATE	TWENTY-THREE PLATE (1/67108864)				
DATE	TWENTY-FOUR PLATE (1/134217728)				
DATE	TWENTY-FIVE PLATE (1/268435456)				
DATE	TWENTY-SIX PLATE (1/536870912)				
DATE	TWENTY-SEVEN PLATE (1/1073741824)				
DATE	TWENTY-EIGHT PLATE (1/2147483648)				
DATE	TWENTY-NINE PLATE (1/4294967296)				
DATE	THIRTY PLATE (1/8589934592)				
DATE	THIRTY-ONE PLATE (1/17179869184)				
DATE	THIRTY-TWO PLATE (1/34359738368)				
DATE	THIRTY-THREE PLATE (1/68719476736)				
DATE	THIRTY-FOUR PLATE (1/137438953472)				
DATE	THIRTY-FIVE PLATE (1/274877906944)				
DATE	THIRTY-SIX PLATE (1/549755813888)				
DATE	THIRTY-SEVEN PLATE (1/1099511627776)				
DATE	THIRTY-EIGHT PLATE (1/2199023255552)				
DATE	THIRTY-NINE PLATE (1/4398046511104)				
DATE	FOURTY PLATE (1/8796093022208)				
DATE	FOURTY-ONE PLATE (1/17592186044416)				
DATE	FOURTY-TWO PLATE (1/35184372088832)				
DATE	FOURTY-THREE PLATE (1/70368744177664)				
DATE	FOURTY-FOUR PLATE (1/140737488355328)				
DATE	FOURTY-FIVE PLATE (1/281474976710656)				
DATE	FOURTY-SIX PLATE (1/562949953421312)				
DATE	FOURTY-SEVEN PLATE (1/1125899906842624)				
DATE	FOURTY-EIGHT PLATE (1/2251799813685248)				
DATE	FOURTY-NINE PLATE (1/4503599627370496)				
DATE	FIFTY PLATE (1/9007199254740992)				
DATE	FIFTY-ONE PLATE (1/18014398509481984)				
DATE	FIFTY-TWO PLATE (1/36028797018963968)				
DATE	FIFTY-THREE PLATE (1/72057594037927936)				
DATE	FIFTY-FOUR PLATE (1/144115188075855872)				
DATE	FIFTY-FIVE PLATE (1/288230376151711744)				
DATE	FIFTY-SIX PLATE (1/576460752303423488)				
DATE	FIFTY-SEVEN PLATE (1/1152921504606846976)				
DATE	FIFTY-EIGHT PLATE (1/2305843009213693952)				
DATE	FIFTY-NINE PLATE (1/4611686018427387904)				
DATE	SIXTY PLATE (1/9223372036854775808)				
DATE	SIXTY-ONE PLATE (1/18446744073709551616)				
DATE	SIXTY-TWO PLATE (1/36893488147419103232)				
DATE	SIXTY-THREE PLATE (1/73786976294838206464)				
DATE	SIXTY-FOUR PLATE (1/147573952589676412928)				
DATE	SIXTY-FIVE PLATE (1/295147905179352825856)				
DATE	SIXTY-SIX PLATE (1/5902958103587056517132)				
DATE	SIXTY-SEVEN PLATE (1/11805916207174113034264)				
DATE	SIXTY-EIGHT PLATE (1/23611832414348226068528)				
DATE	SIXTY-NINE PLATE (1/47223664828696452137056)				
DATE	SEVENTY PLATE (1/94447329657392904274112)				
DATE	SEVENTY-ONE PLATE (1/188894659314785808548224)				
DATE	SEVENTY-TWO PLATE (1/377789318629571617096448)				
DATE	SEVENTY-THREE PLATE (1/755578637259143234192896)				
DATE	SEVENTY-FOUR PLATE (1/1511157274518286468385792)				
DATE	SEVENTY-FIVE PLATE (1/3022314549036572936715744)				
DATE	SEVENTY-SIX PLATE (1/6044629098073145873431488)				
DATE	SEVENTY-SEVEN PLATE (1/12089258196146291746862976)				
DATE	SEVENTY-EIGHT PLATE (1/24178516392292583493725504)				
DATE	SEVENTY-NINE PLATE (1/48357032784585166987451008)				
DATE	EIGHTY PLATE (1/96714065569170333974902016)				
DATE	EIGHTY-ONE PLATE (1/193428131138340667899804032)				
DATE	EIGHTY-TWO PLATE (1/386856262276681335799608064)				
DATE	EIGHTY-THREE PLATE (1/773712524553362671599216128)				
DATE	EIGHTY-FOUR PLATE (1/1547425049106725343198432256)				
DATE	EIGHTY-FIVE PLATE (1/3094850098213450686396864512)				
DATE	EIGHTY-SIX PLATE (1/618970019642690137279372802048)				
DATE	EIGHTY-SEVEN PLATE (1/123794003928538027454765444096)				
DATE	EIGHTY-EIGHT PLATE (1/247588007857076054909530888192)				
DATE	EIGHTY-NINE PLATE (1/495176015714142109819061737384)				
DATE	NINETY PLATE (1/990352031428284219638123346768)				
DATE	NINETY-ONE PLATE (1/198070406285656843927646693536)				
DATE	NINETY-TWO PLATE (1/396140812571313687855293387072)				
DATE	NINETY-THREE PLATE (1/792281625142627375711157714444)				
DATE	NINETY-FOUR PLATE (1/1584563250285254714222234488888)				
DATE	NINETY-FIVE PLATE (1/3169126500570509428444468977776)				
DATE	NINETY-SIX PLATE (1/6338253001141018856888937955552)				
DATE	NINETY-SEVEN PLATE (1/12676506002282037713777775911104)				
DATE	NINETY-EIGHT PLATE (1/25353012004564075427555551822208)				
DATE	NINETY-NINE PLATE (1/50706024009128150855111113644416)				
DATE	HUNDRED PLATE (1/1014120480182563017102222272888832)				

FOR ELECTRICAL TORQUE SPECIFICATIONS SEE DWG NO. 128783-01-000

X-X FOR ELECTRICAL CALLOUTS SEE DWG NO. 121339-01-000



(21V)  
 SPEAKER-CUBE  
 124883-03-000  
 GRILLE  
 124883-04-000  
 SCREW  
 G11-08-08B (4)

SWITCH  
 89308-01-CHT  
 PLATE-SWITCH  
 98351-01-CHT  
 SCREW  
 G11-06-10J (2)

OUTLET-12 VOLT  
 111414-01-000  
 PLATE-OUTLET  
 111386-01-CHT  
 SCREW  
 G67-06-10T (2)

WALLPLATE-ANTENNA  
 86784-01-CHT  
 SCREW  
 G12-06-08U (2)

SH-1  
 2

DETAIL BA

LCR-1

DETECTOR-LP  
 103613-03-000  
 SCREW  
 G68-06-10U (2)

LS  
 (AUX START SWITCH)

(21V)

SPEAKER-SUB  
 124884-01-000  
 GRILLE  
 124885-01-000  
 SCREW  
 G67-08-12U (4)

DETAIL BB

- (265) CODES/STANDARDS-CSA/CMVSS
- (21V) SOUND SYSTEM-DELUXE
- (1B1) CODES STANDARDS/USA
- (193) TV ANTENNA
- (1B) (265) 01 222HD

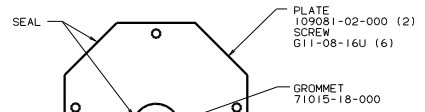
FOR ELECTRICAL  
 TORQUE  
 SPECIFICATIONS  
 SEE DWG NO.  
 128783-01-000

FOR ELECTRICAL  
 CALLOUTS  
 SEE DWG NO.  
 121339-01-000

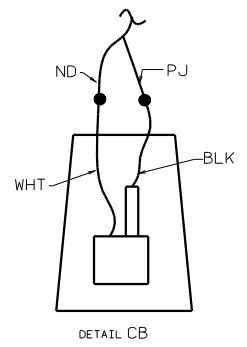
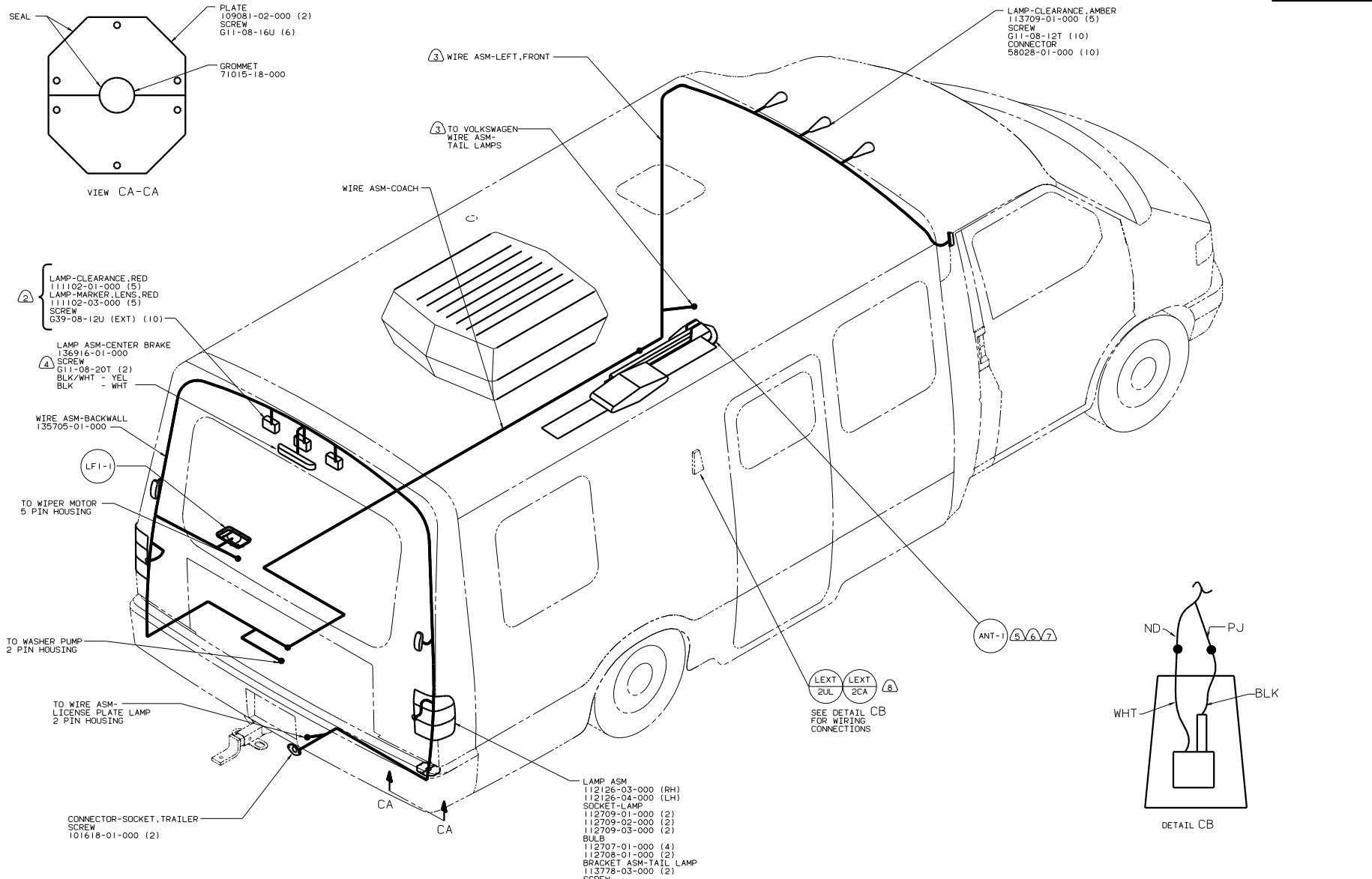
(2) SEE WIRING INSTL-FRONT END FOR ADDITIONAL INFORMATION.

(1) WIRE ROUTED IN SIDEWALL.

NOTES:



VIEW CA-CA



DETAIL CB

LEXT 2UL LEXT 2CA  
SEE DETAIL CB FOR WIRING CONNECTIONS

- ⑧ INSTALL WITH WIRES TOWARDS ROOF.
  - ⑦ ADD RUBBER BUMPER TO ROOF UNDER EACH END OF ANTENNA IN DOWN POSITION WHICH MAY COME IN CONTACT WITH ROOF.
  - ⑥ SEE DRAWING 76319-01-000 FOR ADDITIONAL INFORMATION.
  - ⑤ LOCATE TO RETAIN CABLE BUT NOT RESTRICT TRAVEL OF ANTENNA.
  - ④ ON INTERIOR OF CAP, GRIND OFF TIP OF SCREW PRIOR TO SEALING (TO PROVIDE INNER LINER CLEARANCE).
  - ③ SEE WIRING INSTL-FRONT END FOR ADDITIONAL INFORMATION.
  - ② LOCATE ON CENTER OF HOLE IN CAP ASM-REAR.
1. CONNECTOR-PLUG, TRAILER 113589-01-000 TO BE SUPPLIED LOOSE IN COACH WITH TRAILER TOW PACKAGE.

②65 CODES/STANDARDS-CSA/CMVSS  
①B1 CODES STANDARDS/USA  
①B1 ②65 01 222HD

FOR ELECTRICAL TORQUE SPECIFICATIONS SEE DWG NO. 128783-01-000

TITLE: WIRING INSTL-BODY, 12V(EXT)  
SHEET 3 OF 3