



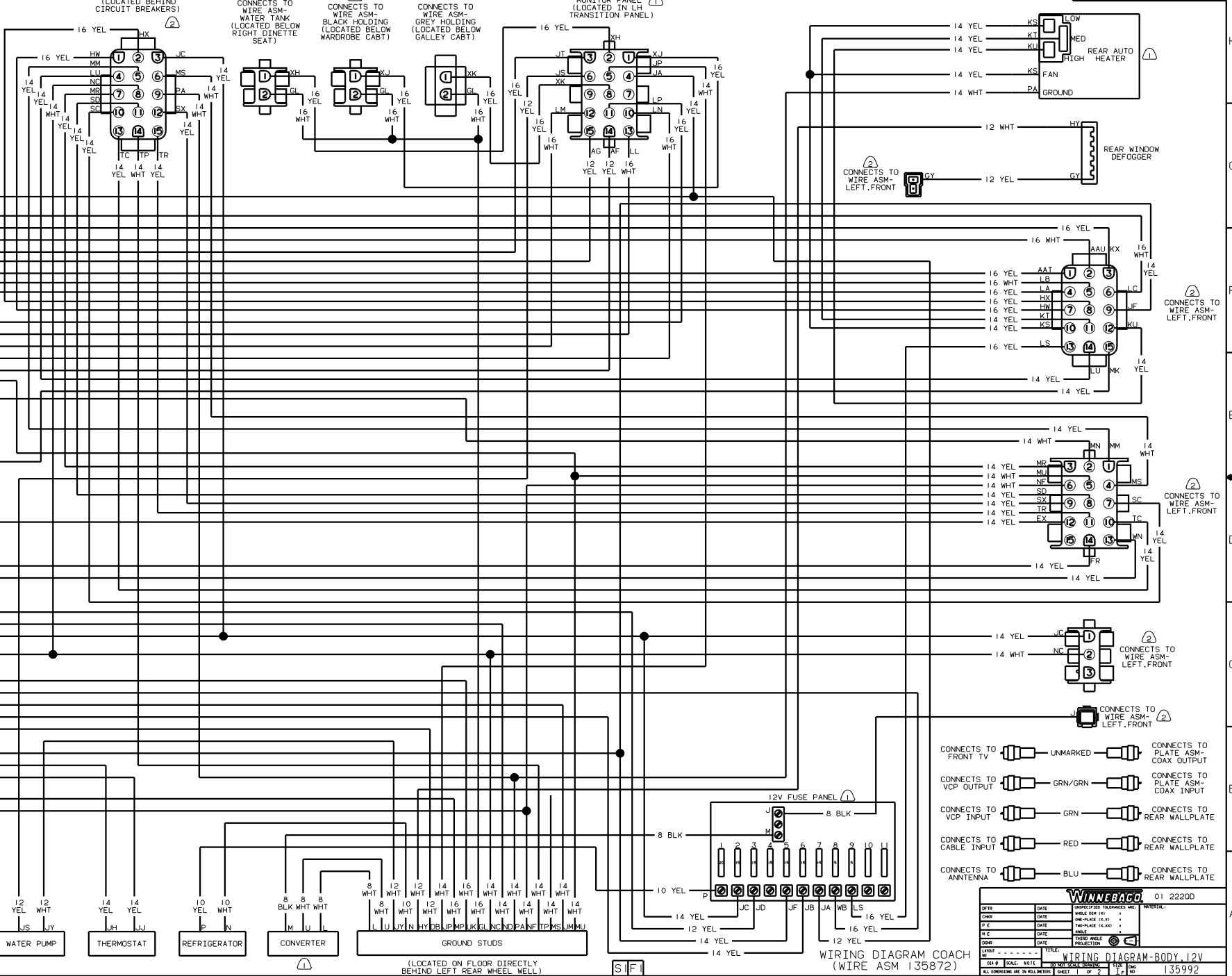
DANGER

Danger of electrical shock, burns or death. Always remove all power sources before attempting any repair, service or diagnostic work. Power can be present from shore power, generator, inverter or battery. All power sources must be disabled and secured before performing any service.



CAUTION

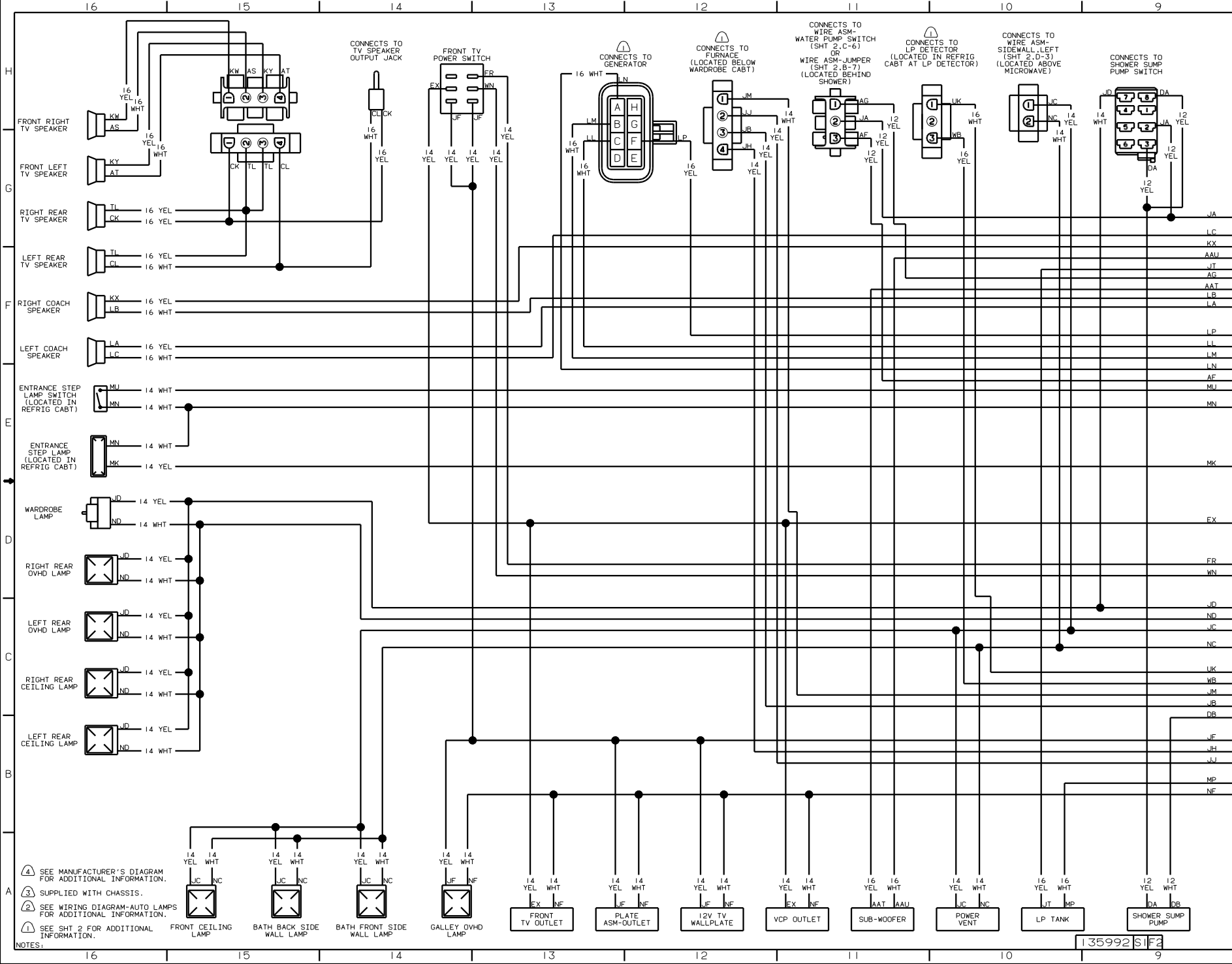
If you lack the skills, tools or equipment to perform diagnostic or repair work leave such work to an authorized Winnebago Industries dealer or other qualified shop.



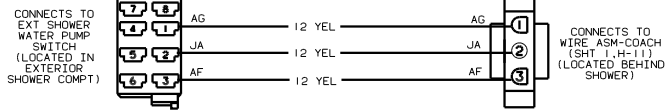
WINNEBAGO 01 22200

DATE	UNDESIGNED TECHNOLOGIES INC.	MATERIAL
DATE	WALL ORN 111	
DATE	ONE-PLATE 19.01	
DATE	ONE-PLATE 19.003	
DATE	MOULD	
DATE	INDUS WALLE	
DATE	PRODUCER	

WIRING DIAGRAM COACH (WIRE ASM 135872)
 WIRE ASM 135992
 SHEET 1 OF 2
 REF: 130489

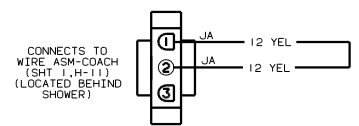


- ⚠ SEE MANUFACTURER'S DIAGRAM FOR ADDITIONAL INFORMATION.
 ③ SUPPLIED WITH CHASSIS.
 ② SEE WIRING DIAGRAM-AUTO LAMPS FOR ADDITIONAL INFORMATION.
 ⚠ SEE SHT 2 FOR ADDITIONAL INFORMATION.

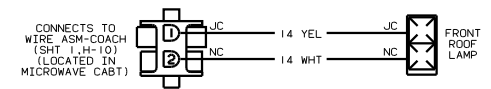


CONNECTS TO WIRE ASM-COACH (SHT 1,H-11) (LOCATED BEHIND SHOWER)

WIRING DIAGRAM WATER PUMP, SWITCH
 (WIRE ASM 103494-04)
 (WITH EXTERIOR SHOWER)



WIRING DIAGRAM-JUMPER
 (WIRE ASM 103493)
 (WITHOUT EXTERIOR SHOWER)



WIRING DIAGRAM-ROOF, FRONT
 (WIRE ASM 119112)