



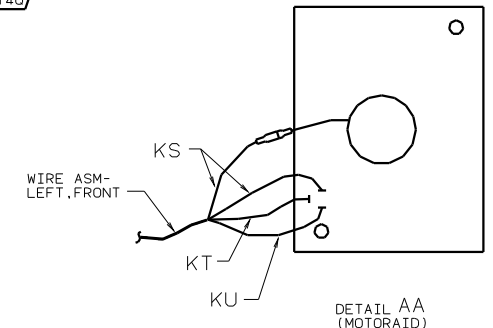
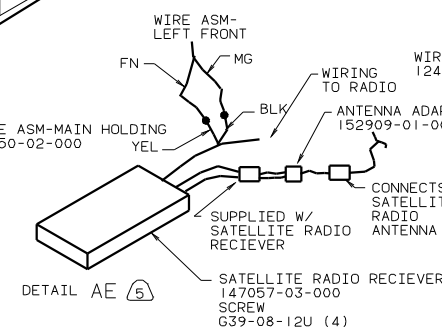
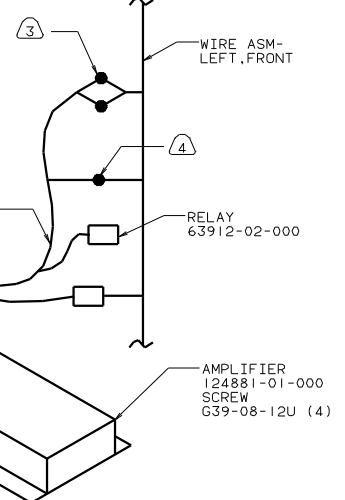
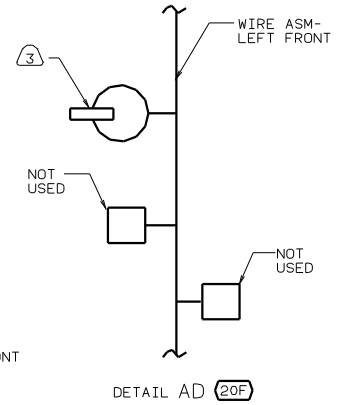
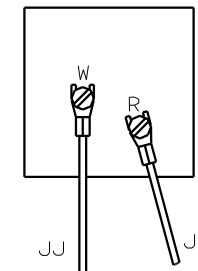
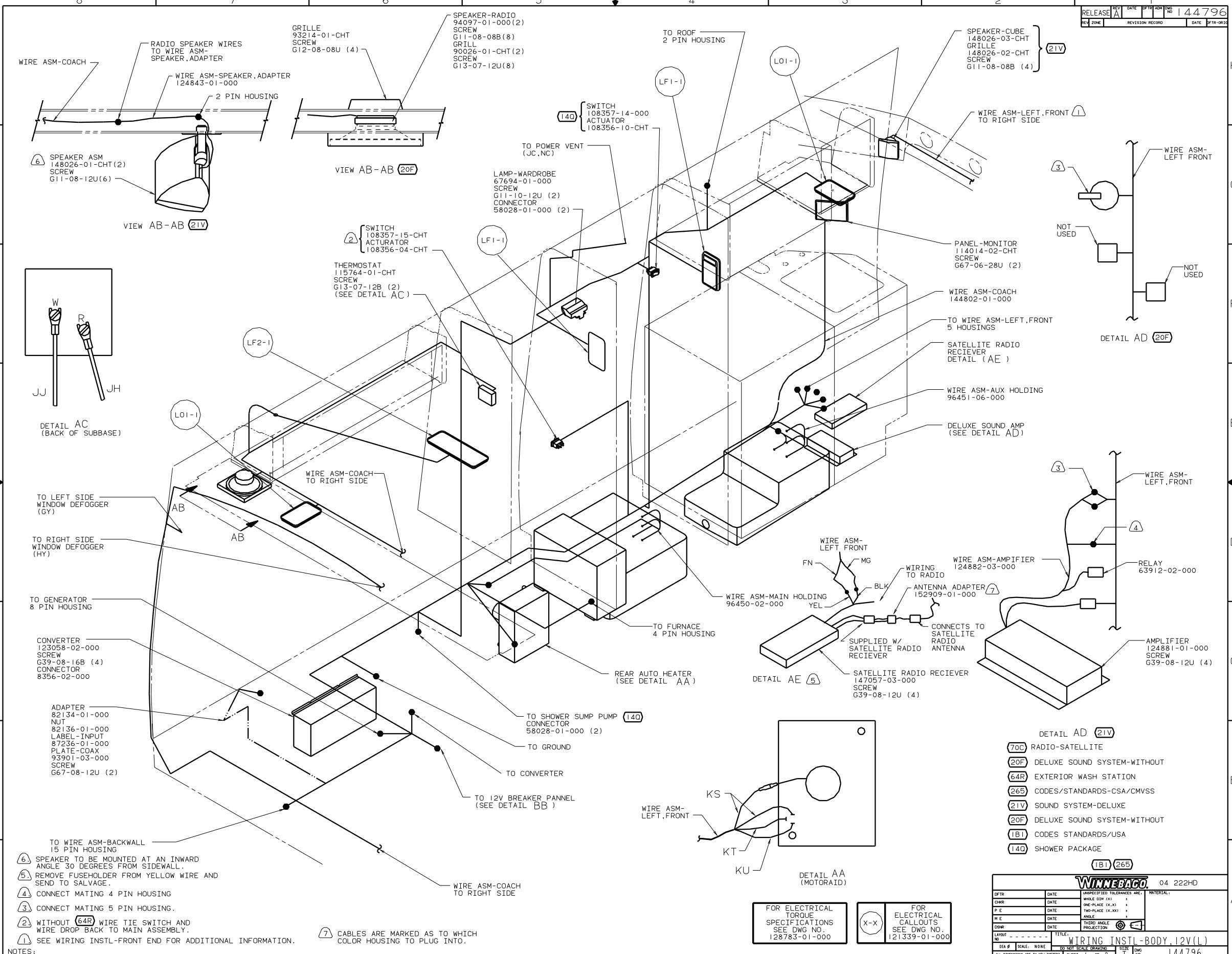
**DANGER**

**Danger of electrical shock, burns or death.** Always remove all power sources before attempting any repair, service or diagnostic work. Power can be present from shore power, generator, inverter or battery. All power sources must be disabled and secured before performing any service.



**CAUTION**

If you lack the skills, tools or equipment to perform diagnostic or repair work leave such work to an authorized Winnebago Industries dealer or other qualified shop.



- DETAIL AD (21V)
- (70C) RADIO-SATELLITE
  - (20F) DELUXE SOUND SYSTEM-WITHOUT
  - (64R) EXTERIOR WASH STATION
  - (265) CODES/STANDARDS-CSA/CMVSS
  - (21V) SOUND SYSTEM-DELUXE
  - (20F) DELUXE SOUND SYSTEM-WITHOUT
  - (1B1) CODES STANDARDS/USA
  - (140) SHOWER PACKAGE

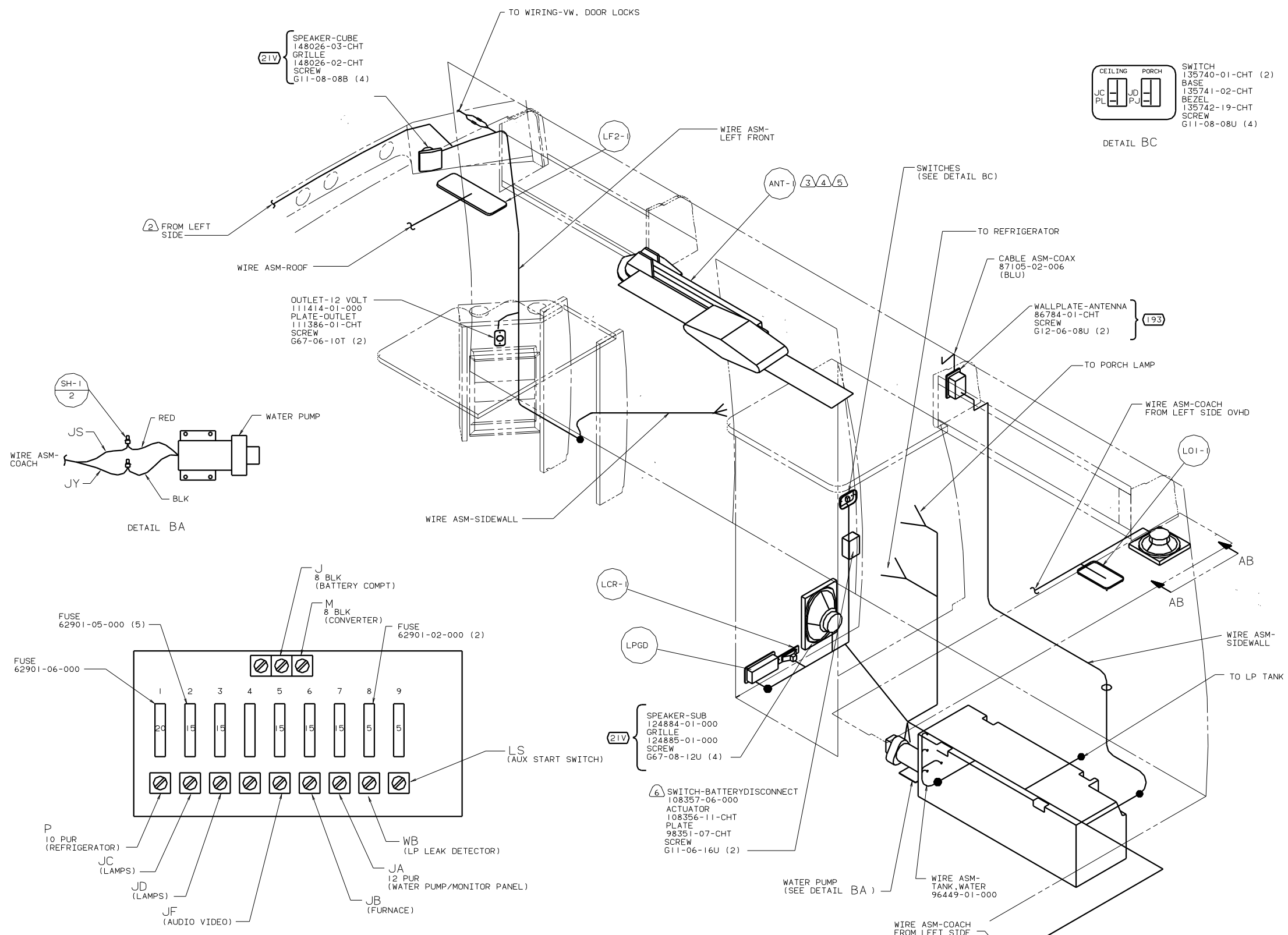
- NOTES:
- ⑥ SPEAKER TO BE MOUNTED AT AN INWARD ANGLE 30 DEGREES FROM SIDEWALL.
  - ⑤ REMOVE FUSEHOLDER FROM YELLOW WIRE AND SEND TO SALVAGE.
  - ④ CONNECT MATING 4 PIN HOUSING
  - ③ CONNECT MATING 5 PIN HOUSING.
  - ② WITHOUT (64R) WIRE TIE SWITCH AND WIRE DROP BACK TO MAIN ASSEMBLY.
  - ① SEE WIRING INSTL-FRONT END FOR ADDITIONAL INFORMATION.

⑦ CABLES ARE MARKED AS TO WHICH COLOR HOUSING TO PLUG INTO.

FOR ELECTRICAL TORQUE SPECIFICATIONS SEE DWG NO. 128783-01-000

X-X FOR ELECTRICAL CALLOUTS SEE DWG NO. 121339-01-000

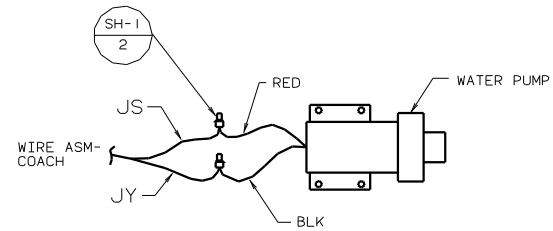
LAYOUT NO.		TITLE: WIRING INSTL-BODY, 12V(L)	
DIA #	SCALE: NONE	DO NOT SCALE DRAWING	SHEET NO. 144796
ALL DIMENSIONS ARE IN MILLIMETERS	OF 2	DATE	REF: 141382-B



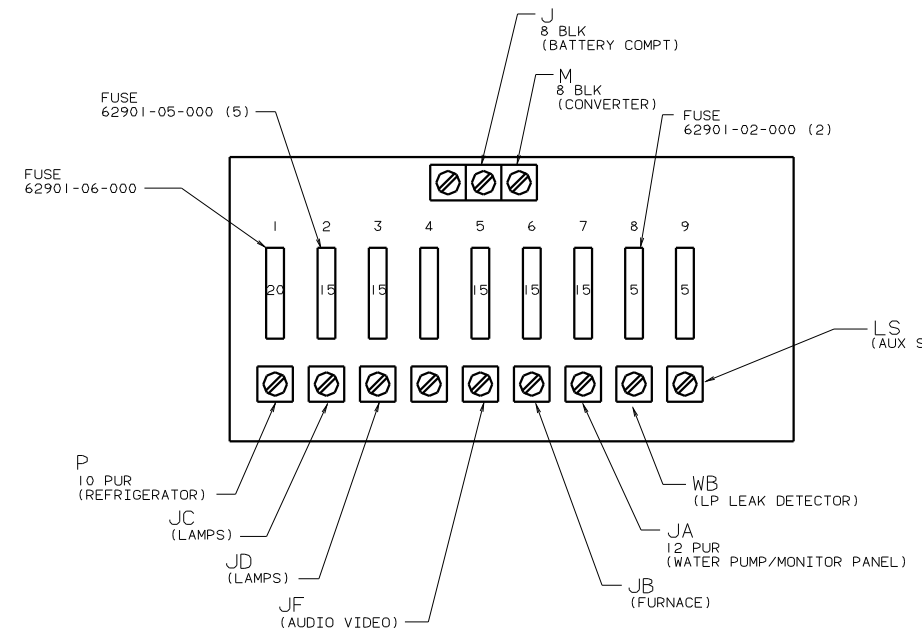
(21V) {  
 SPEAKER-CUBE  
 148026-03-CHT  
 GRILLE  
 148026-02-CHT  
 SCREW  
 G11-08-08B (4)

SWITCH  
 135740-01-CHT (2)  
 BASE  
 135741-02-CHT  
 BEZEL  
 135742-19-CHT  
 SCREW  
 G11-08-08U (4)

DETAIL BC



DETAIL BA



DETAIL BB

(21V) {  
 SPEAKER-SUB  
 124884-01-000  
 GRILLE  
 124885-01-000  
 SCREW  
 G67-08-12U (4)

(6) SWITCH-BATTERYDISCONNECT  
 108357-06-000  
 ACTUATOR  
 108356-11-CHT  
 PLATE  
 98351-07-CHT  
 SCREW  
 G11-06-16U (2)

- NOTES:
- ⑥ SWITCH IS TO BE MOUNTED WITH HOUSING ALIGNMENT POST TO BOTTOM OF CUTOUT.
  - ⑤ ADD RUBBER BUMPER TO ROOF UNDER EACH END OF ANTENNA IN DOWN POSITION WHICH MAY COME IN CONTACT WITH ROOF.
  - ④ SEE DRAWING 76319-01-000 FOR ADDITIONAL INFORMATION.
  - ③ LOCATE TO RETAIN CABLE BUT NOT RESTRICT TRAVEL OF ANTENNA.
  - ② SEE WIRING INSTL-FRONT END FOR ADDITIONAL INFORMATION.
  - ① WIRE ROUTED IN SIDEWALL.

- (265) CODES/STANDARDS-CSA/CMVSS
- (21V) SOUND SYSTEM-DELUXE
- (1B1) CODES STANDARDS/USA
- (193) TV ANTENNA
- (1B1) (265) 04 222HD

FOR ELECTRICAL TORQUE SPECIFICATIONS SEE DWG NO. 128783-01-000

FOR ELECTRICAL CALLOUTS SEE DWG NO. 121339-01-000