



**DANGER**

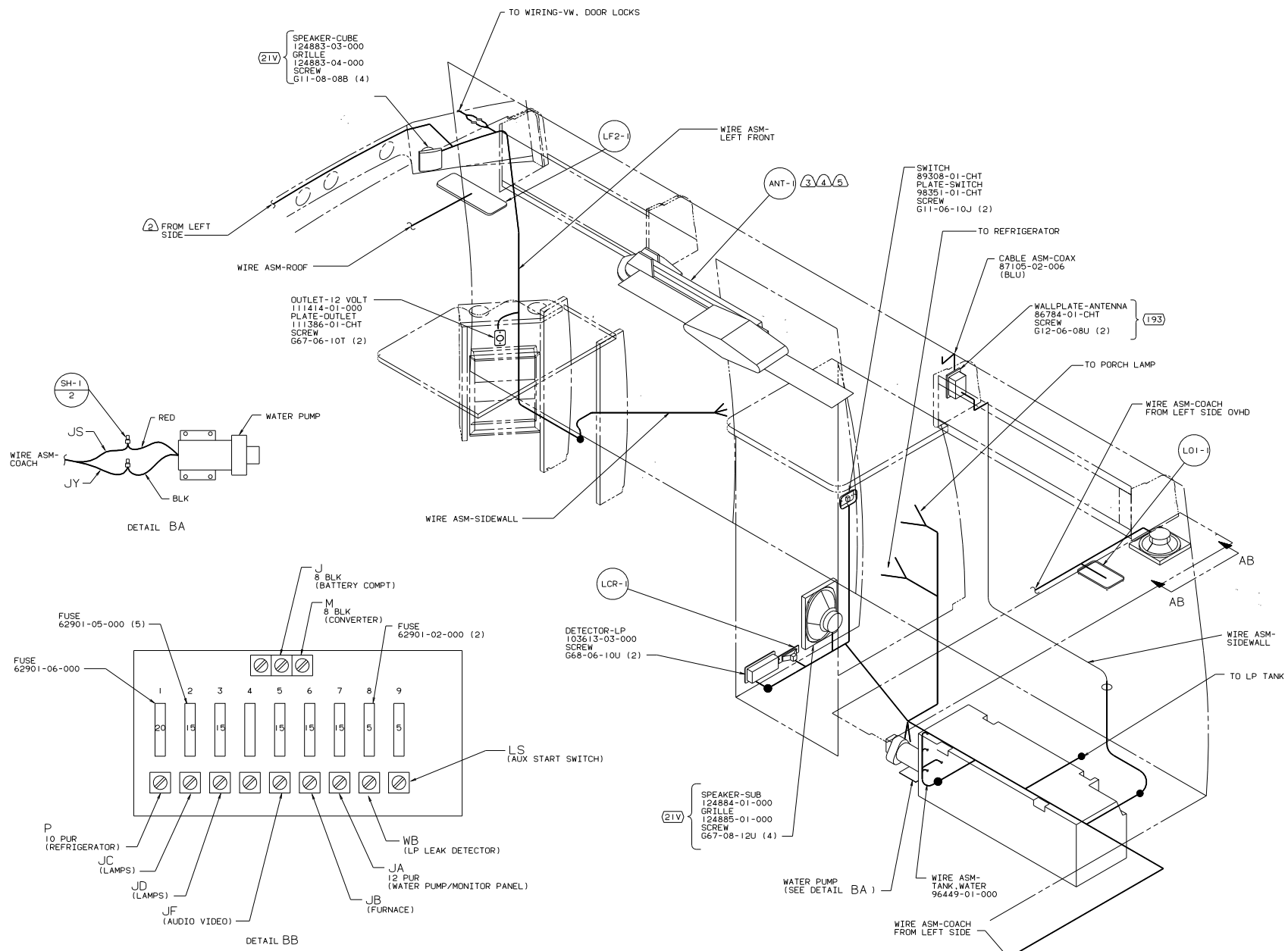
**Danger of electrical shock, burns or death.** Always remove all power sources before attempting any repair, service or diagnostic work. Power can be present from shore power, generator, inverter or battery. All power sources must be disabled and secured before performing any service.



**CAUTION**

If you lack the skills, tools or equipment to perform diagnostic or repair work leave such work to an authorized Winnebago Industries dealer or other qualified shop.



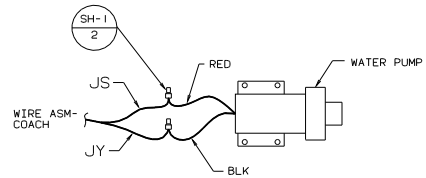


(21V) {  
 SPEAKER-CUBE  
 124883-03-000  
 GRILLE  
 124885-04-000  
 SCREW  
 G11-08-08B (4)

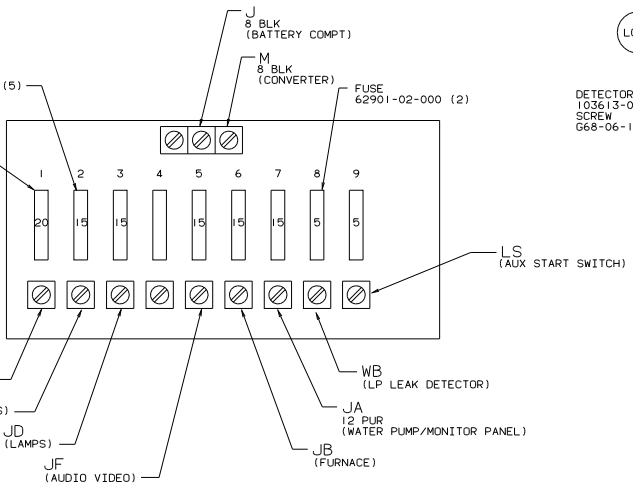
SWITCH  
 89308-01-CHT  
 PLATE-SWITCH  
 98351-01-CHT  
 SCREW  
 G11-06-10J (2)

OUTLET-12 VOLT  
 1114-01-000  
 PLATE-OUTLET  
 11386-01-CHT  
 SCREW  
 G67-06-10T (2)

WALLPLATE-ANTENNA  
 86784-01-CHT  
 SCREW  
 G12-06-08U (2) (193)



DETAIL BA



DETAIL BB

(21V) {  
 SPEAKER-SUB  
 124884-01-000  
 GRILLE  
 124885-01-000  
 SCREW  
 G67-08-12U (4)

- NOTES:
- ⑤ ADD RUBBER BUMPER TO ROOF UNDER EACH END OF ANTENNA IN DOWN POSITION WHICH MAY COME IN CONTACT WITH ROOF.
  - ④ SEE DRAWING 76319-01-000 FOR ADDITIONAL INFORMATION.
  - ③ LOCATE TO RETAIN CABLE BUT NOT RESTRICT TRAVEL OF ANTENNA.
  - ② SEE WIRING INSTL-FRONT END FOR ADDITIONAL INFORMATION.
  - ① WIRE ROUTED IN SIDEWALL.

- (265) CODES/STANDARDS-CSA/CMVSS
- (21V) SOUND SYSTEM-DELUXE
- (181) CODES STANDARDS/USA
- (193) TV ANTENNA
- (181) (265) 02 222HD

FOR ELECTRICAL TORQUE SPECIFICATIONS SEE DWG NO 128783-01-000

(X-X)

FOR ELECTRICAL CALLOUTS SEE DWG NO 121339-01-000