



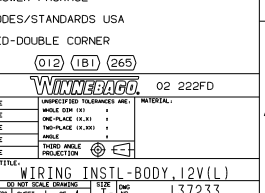
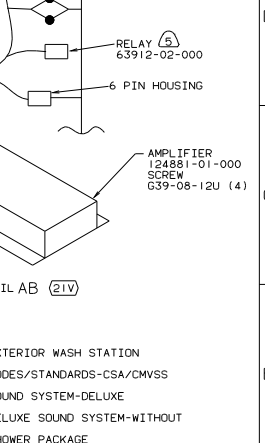
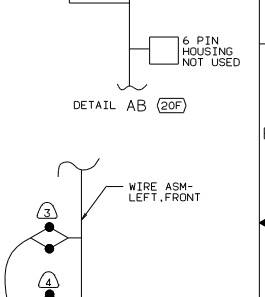
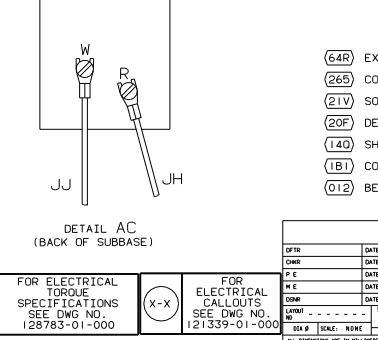
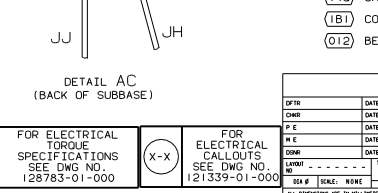
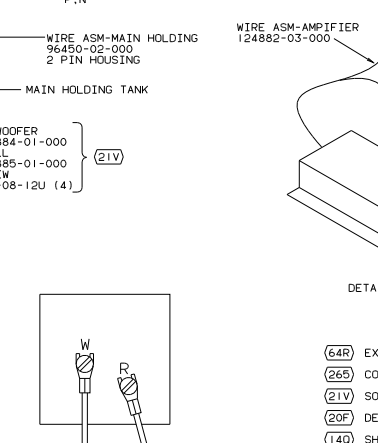
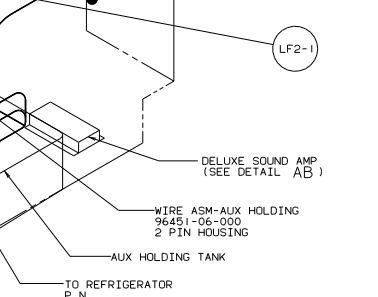
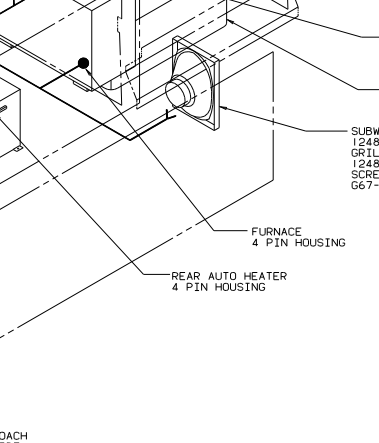
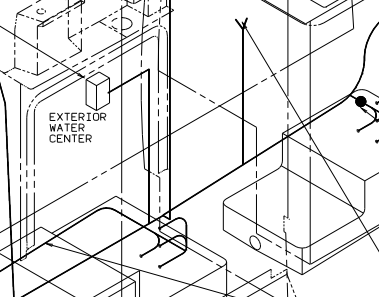
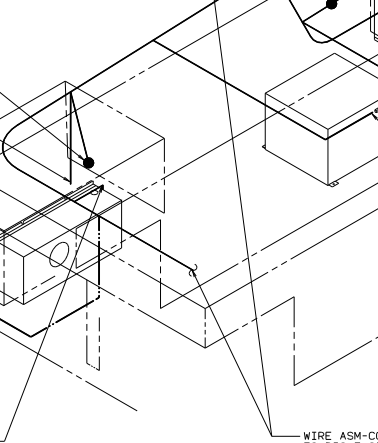
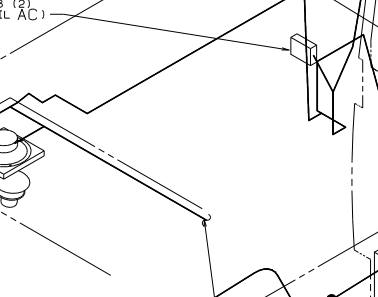
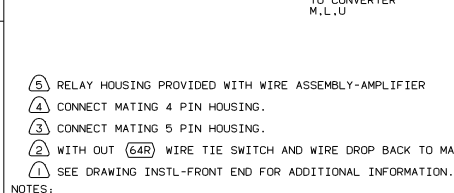
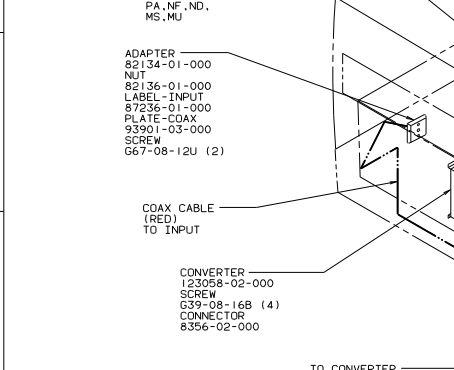
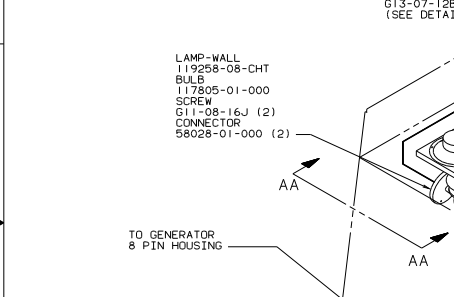
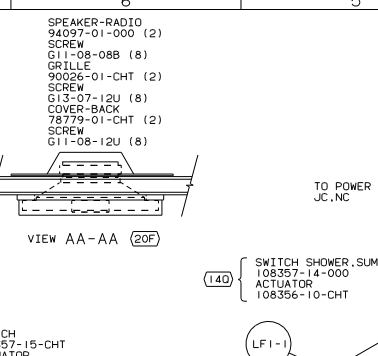
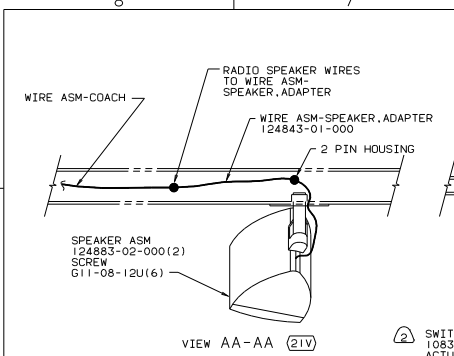
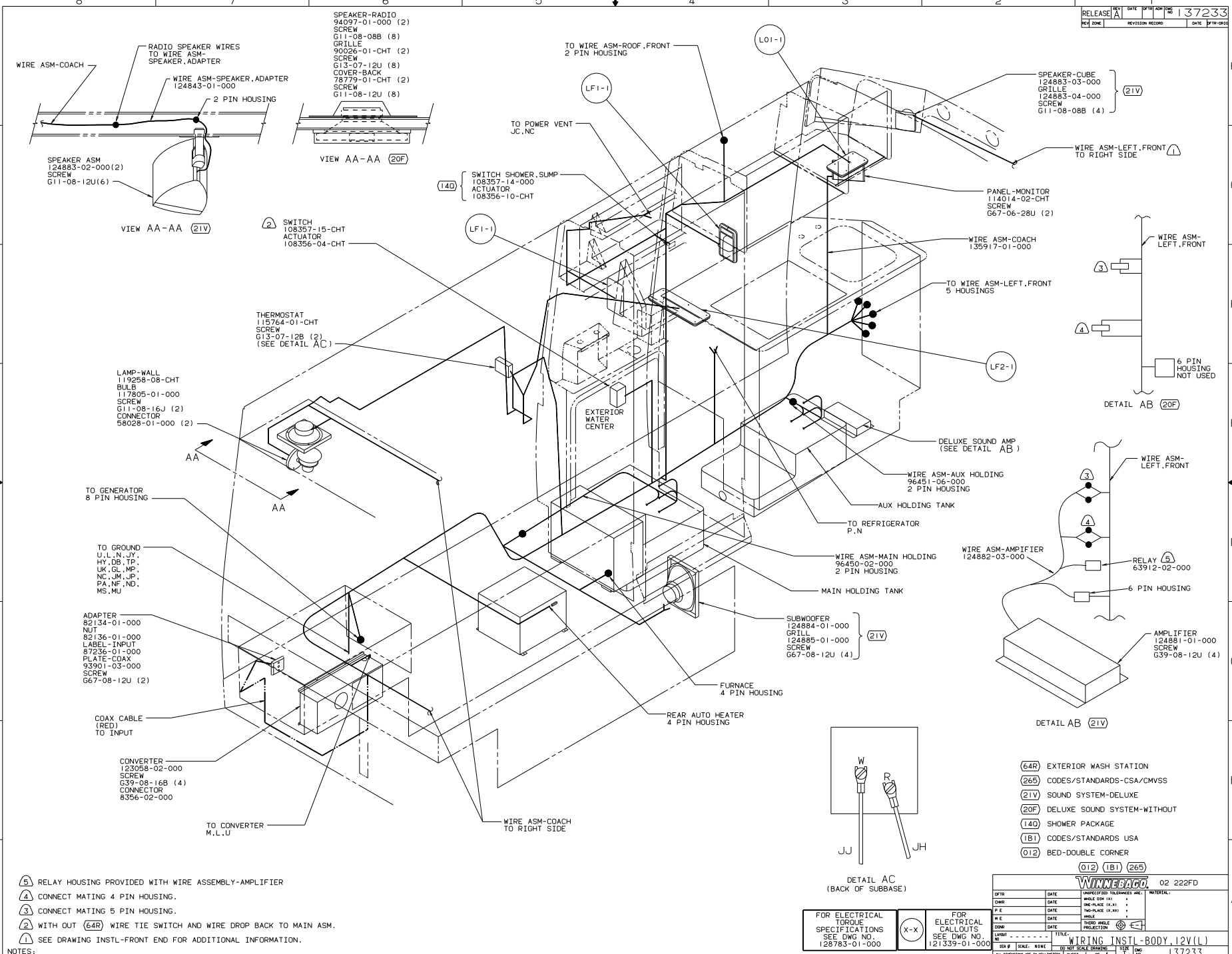
DANGER

Danger of electrical shock, burns or death. Always remove all power sources before attempting any repair, service or diagnostic work. Power can be present from shore power, generator, inverter or battery. All power sources must be disabled and secured before performing any service.

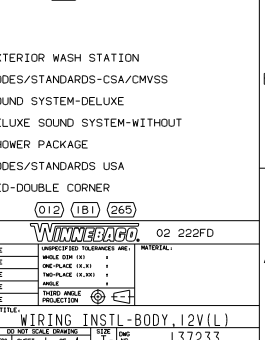
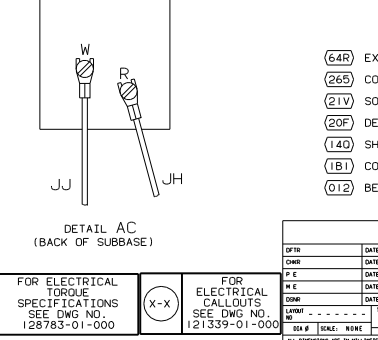


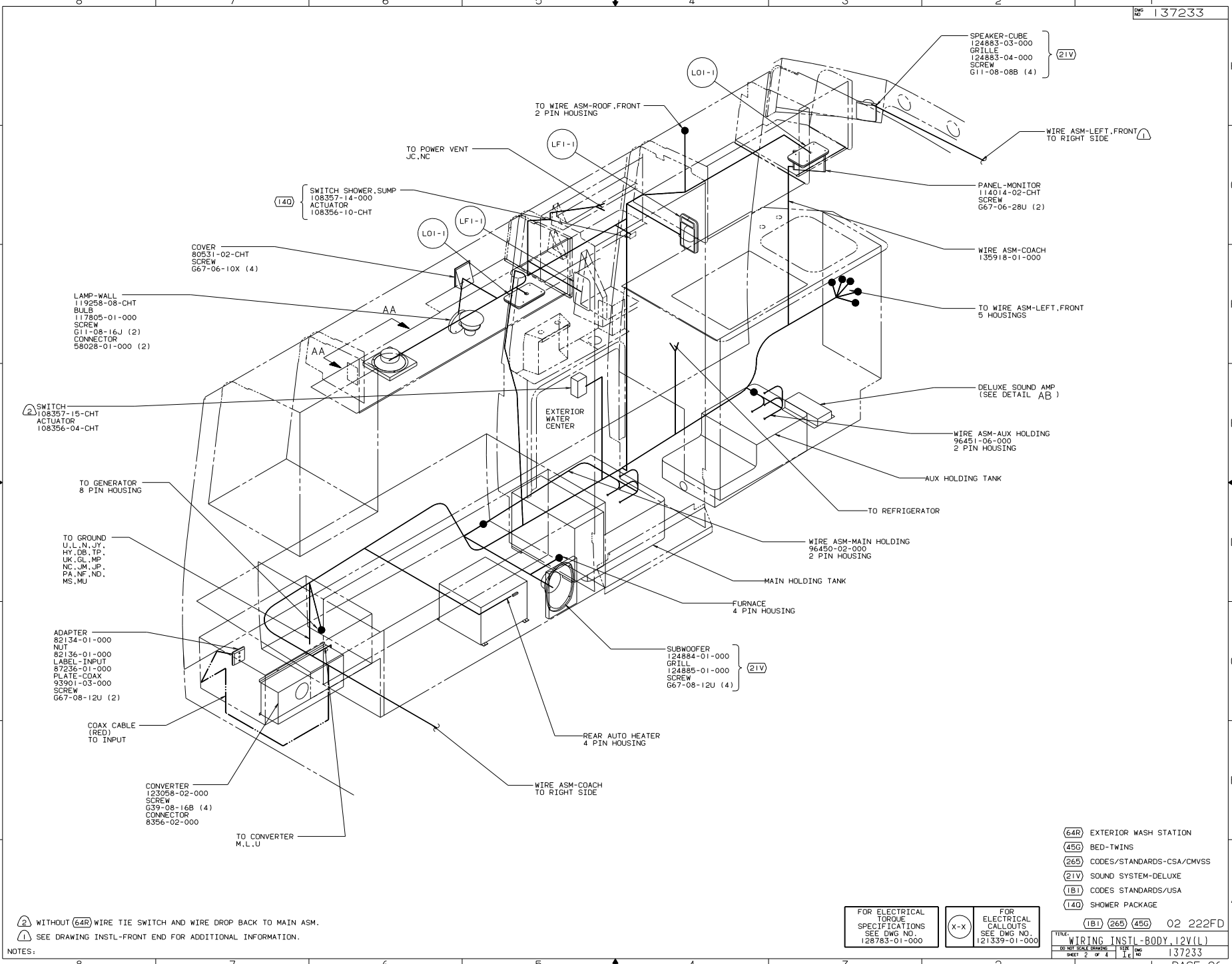
CAUTION

If you lack the skills, tools or equipment to perform diagnostic or repair work leave such work to an authorized Winnebago Industries dealer or other qualified shop.



- (5) RELAY HOUSING PROVIDED WITH WIRE ASSEMBLY-AMPLIFIER
- (4) CONNECT MATING 4 PIN HOUSING.
- (3) CONNECT MATING 5 PIN HOUSING.
- (2) WITH OUT (64R) WIRE TIE SWITCH AND WIRE DROP BACK TO MAIN ASM.
- (1) SEE DRAWING INSTL-FRONT END FOR ADDITIONAL INFORMATION.
- NOTES:





NOTES:
 (2) WITHOUT (64R) WIRE TIE SWITCH AND WIRE DROP BACK TO MAIN ASM.
 (1) SEE DRAWING INSTL-FRONT END FOR ADDITIONAL INFORMATION.

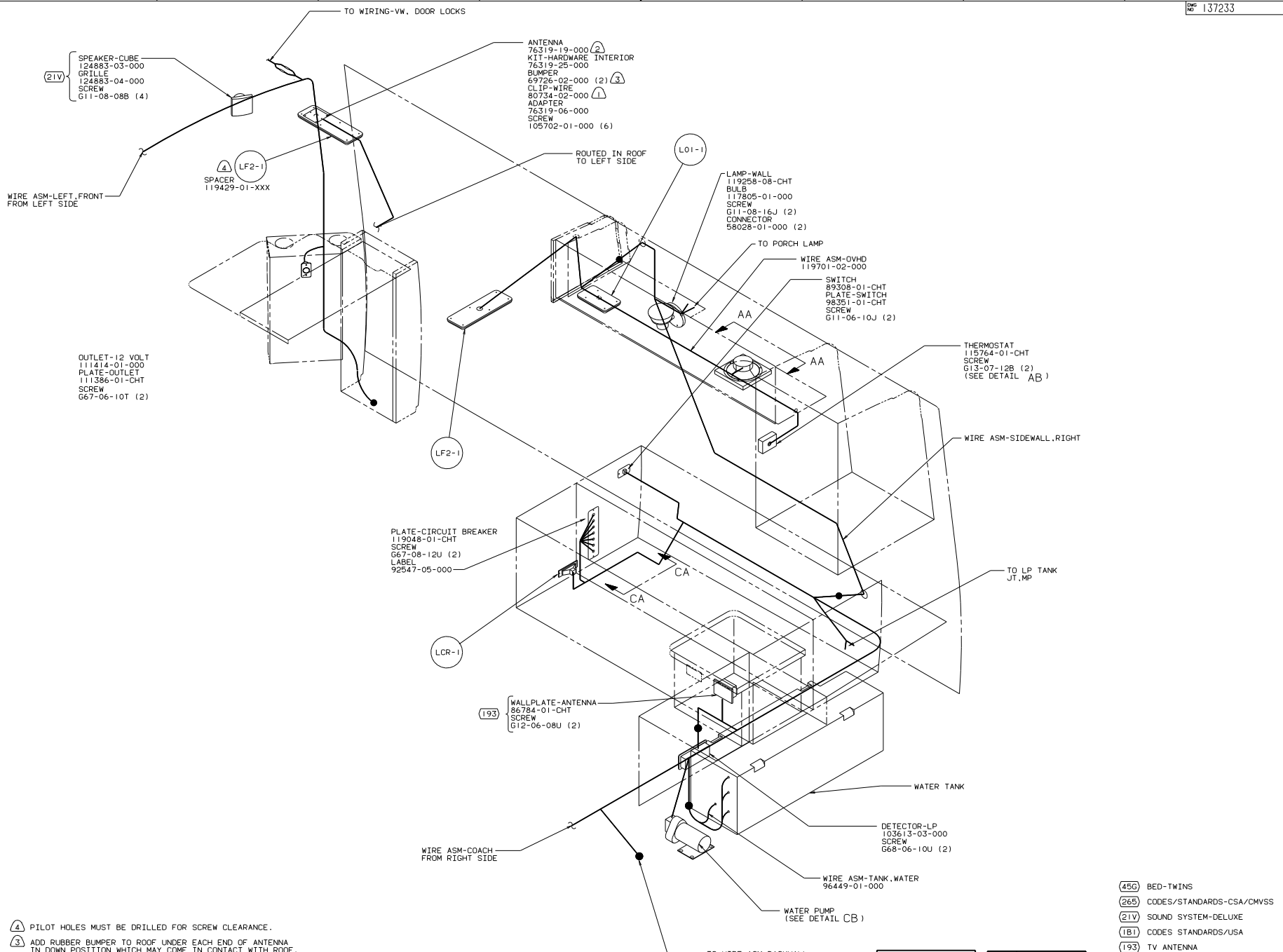
- (64R) EXTERIOR WASH STATION
- (45G) BED-TWINS
- (265) CODES/STANDARDS-CSA/CMVSS
- (21V) SOUND SYSTEM-DELUXE
- (1B1) CODES STANDARDS/USA
- (140) SHOWER PACKAGE

FOR ELECTRICAL TORQUE SPECIFICATIONS SEE DWG NO 128783-01-000

FOR ELECTRICAL CALLOUTS SEE DWG NO 121339-01-000

(1B1) (265) (45G) 02 222FD

WIRING INSTL-BODY 12V(L)



- NOTES:
- (4) PILOT HOLES MUST BE DRILLED FOR SCREW CLEARANCE.
 - (3) ADD RUBBER BUMPER TO ROOF UNDER EACH END OF ANTENNA IN DOWN POSITION WHICH MAY COME IN CONTACT WITH ROOF.
 - (2) SEE DRAWING 76319-01-000 FOR ADDITIONAL INFORMATION.
 - (1) LOCATE TO RETAIN CABLE BUT NOT RESTRICT TRAVEL OF ANTENNA.

- (456) BED-TWINS
- (265) CODES/STANDARDS-CSA/CMVSS
- (21V) SOUND SYSTEM-DELUXE
- (1B1) CODES STANDARDS/JSA
- (193) TV ANTENNA

FOR ELECTRICAL
TORQUE
SPECIFICATIONS
SEE DWG NO.
128783-01-000

FOR
ELECTRICAL
CALLOUTS
SEE DWG NO.
121339-01-000

(1B1) (265) (456) 02 222FD

TITLE: WIRING INSTL-BODY, 12V(R)
DWG NO. 137233
SHEET 4 OF 4