



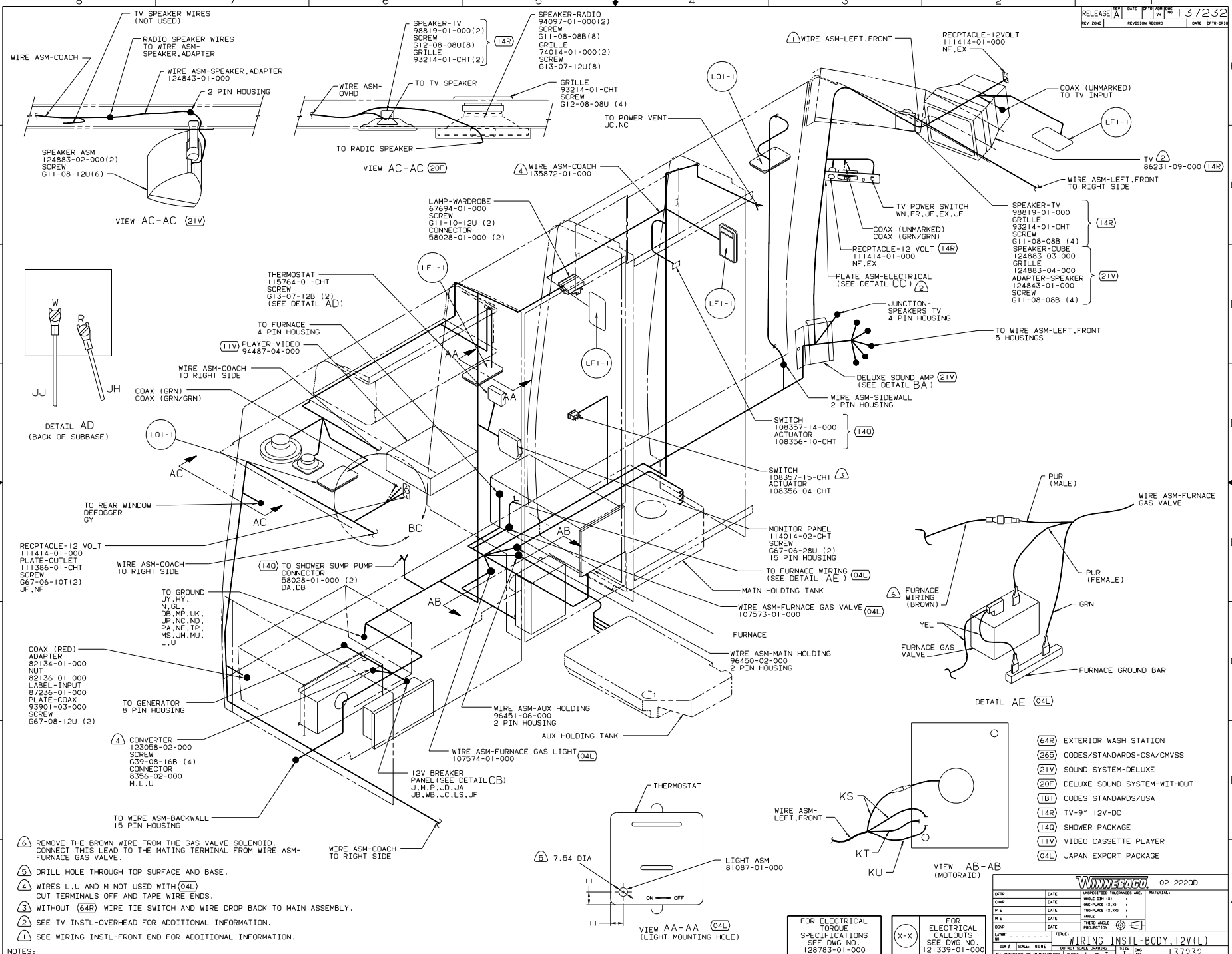
DANGER

Danger of electrical shock, burns or death. Always remove all power sources before attempting any repair, service or diagnostic work. Power can be present from shore power, generator, inverter or battery. All power sources must be disabled and secured before performing any service.



CAUTION

If you lack the skills, tools or equipment to perform diagnostic or repair work leave such work to an authorized Winnebago Industries dealer or other qualified shop.



- NOTES:
- ① SEE WIRING INSTL-FRONT END FOR ADDITIONAL INFORMATION.
 - ② SEE TV INSTL-OVERHEAD FOR ADDITIONAL INFORMATION.
 - ③ WITHOUT (64R) WIRE TIE SWITCH AND WIRE DROP BACK TO MAIN ASSEMBLY.
 - ④ WIRES L,U AND M NOT USED WITH (04L) CUT TERMINALS OFF AND TAPE WIRE ENDS.
 - ⑤ DRILL HOLE THROUGH TOP SURFACE AND BASE.
 - ⑥ REMOVE THE BROWN WIRE FROM THE GAS VALVE SOLENOID. CONNECT THIS LEAD TO THE MATING TERMINAL FROM WIRE ASM-FURNACE GAS VALVE.

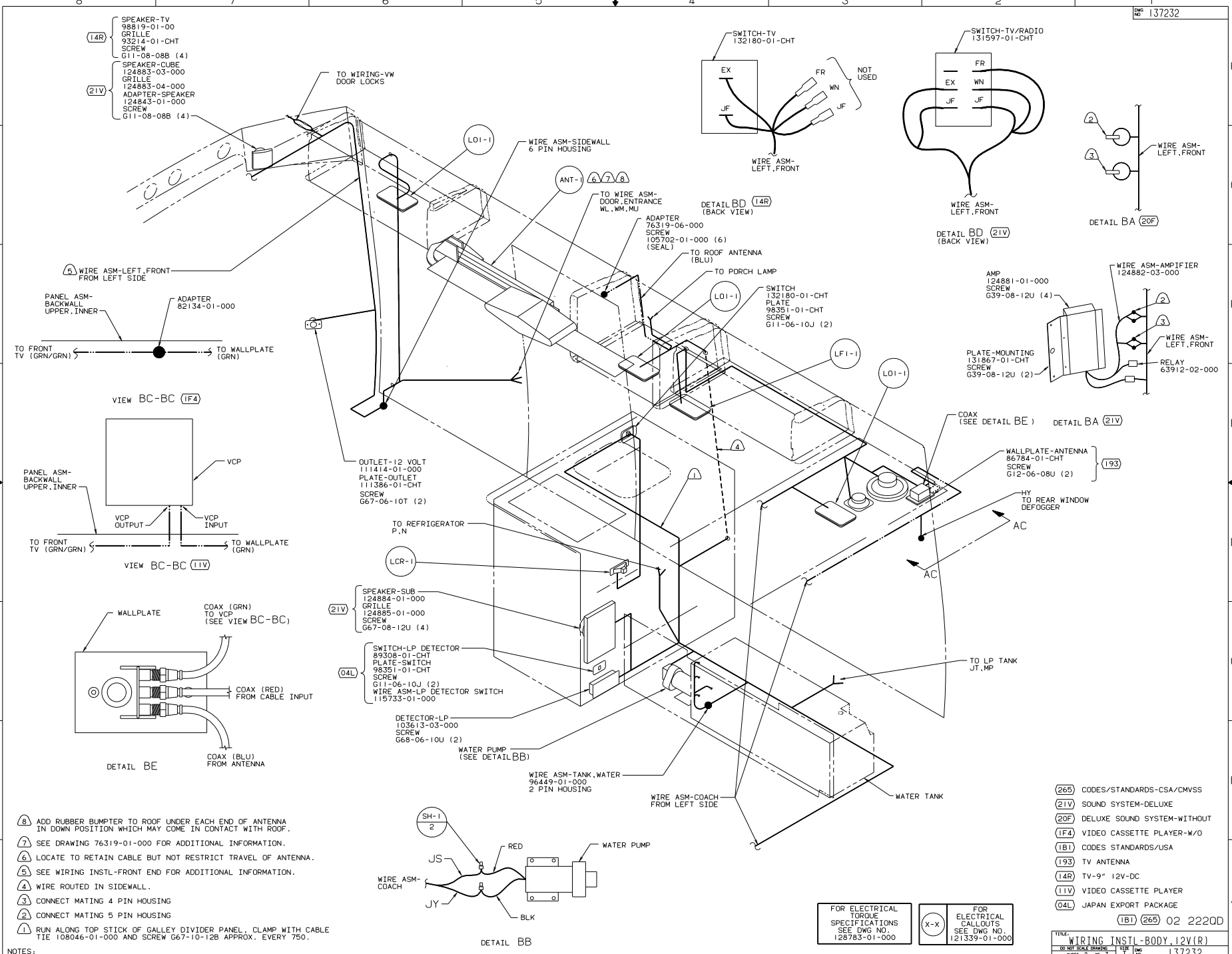
- (64R) EXTERIOR WASH STATION
- (26S) CODES/STANDARDS-CSA/CMVSS
- (21V) SOUND SYSTEM-DELUXE
- (20F) DELUXE SOUND SYSTEM-WITHOUT
- (1B1) CODES STANDARDS/USA
- (14R) TV-9" 12V-DC
- (14D) SHOWER CASSETTE PLAYER
- (11V) VIDEO CASSETTE PLAYER
- (04L) JAPAN EXPORT PACKAGE

DATE		UNSPECIFIED TOLERANCES ARE:	MATERIAL
DATE	DATE	UNLESS SHOWN OTHERWISE	
DATE	DATE	UNLESS SHOWN OTHERWISE	
DATE	DATE	UNLESS SHOWN OTHERWISE	
DATE	DATE	UNLESS SHOWN OTHERWISE	
DATE	DATE	UNLESS SHOWN OTHERWISE	
DATE	DATE	UNLESS SHOWN OTHERWISE	
DATE	DATE	UNLESS SHOWN OTHERWISE	
DATE	DATE	UNLESS SHOWN OTHERWISE	
DATE	DATE	UNLESS SHOWN OTHERWISE	

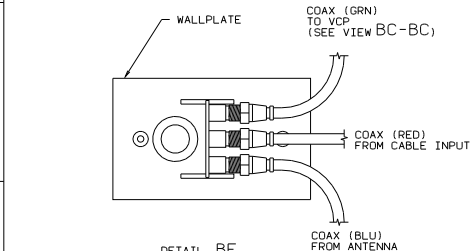
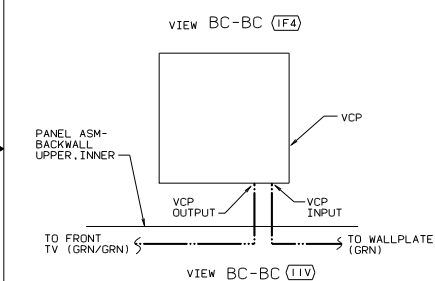
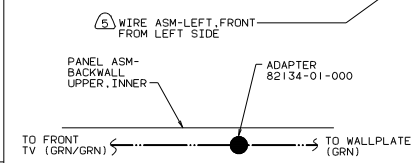
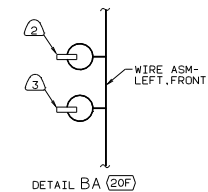
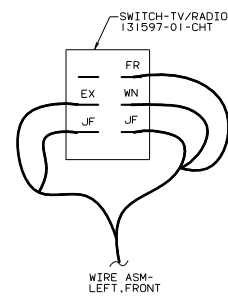
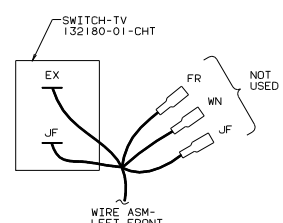
WIRING INSTL-BODY 12V(1L)
 SHEET 1 OF 3
 137232

FOR ELECTRICAL TORQUE SPECIFICATIONS SEE DWG NO. 128783-01-000

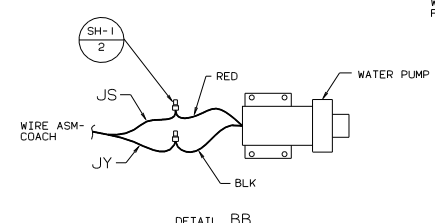
FOR ELECTRICAL CALLOUTS SEE DWG NO. 1215329-01-000



- (14R) SPEAKER-TV 98819-01-00 GRILLE 93214-01-CHT SCREW 011-08-08B (4)
- (21V) SPEAKER-CUBE 124883-03-000 GRILLE 124883-04-000 ADAPTER-SPEAKER 124843-01-000 SCREW 011-08-08B (4)



- (21V) SPEAKER-SUB 124884-01-000 GRILLE 124885-01-000 SCREW 067-08-12U (4)
- (04L) SWITCH-LP DETECTOR 89308-01-CHT PLATE-SWITCH 98351-01-CHT SCREW 011-06-10J (2) WIRE ASM-LP DETECTOR SWITCH 115733-01-000
- DETECTOR-LP 103613-03-000 SCREW 068-06-10U (2)
- WATER PUMP (SEE DETAIL BB)
- WIRE ASM-TANK, WATER 96449-01-000 2 PIN HOUSING
- WIRE ASM-COACH FROM LEFT SIDE

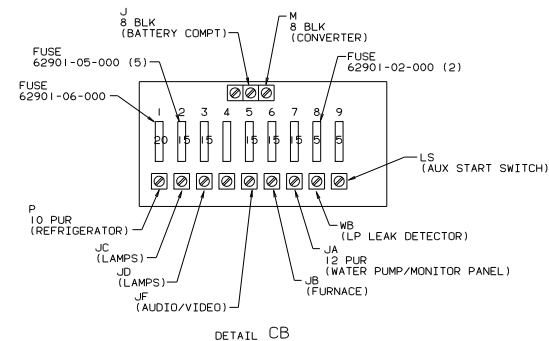


- NOTES:
- (8) ADD RUBBER BUMPTER TO ROOF UNDER EACH END OF ANTENNA IN DOWN POSITION WHICH MAY COME IN CONTACT WITH ROOF.
 - (7) SEE DRAWING 76319-01-000 FOR ADDITIONAL INFORMATION.
 - (6) LOCATE TO RETAIN CABLE BUT NOT RESTRICT TRAVEL OF ANTENNA.
 - (5) SEE WIRING INSTL-FRONT END FOR ADDITIONAL INFORMATION.
 - (4) WIRE ROUTED IN SIDEWALL.
 - (3) CONNECT MATING 4 PIN HOUSING
 - (2) CONNECT MATING 5 PIN HOUSING
 - (1) RUN ALONG TOP STICK OF GALLEY DIVIDER PANEL. CLAMP WITH CABLE TIE 108046-01-000 AND SCREW 067-10-12B APPROX. EVERY 750.

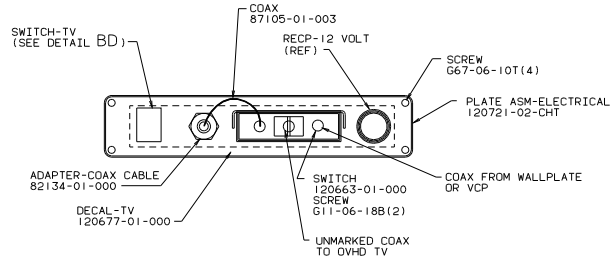
FOR ELECTRICAL TORQUE SPECIFICATIONS SEE DWG NO. 128783-01-000

(X-X) FOR ELECTRICAL CALLOUTS SEE DWG NO. 121339-01-000

- (265) CODES/STANDARDS-CSA/CMVSS
- (21V) SOUND SYSTEM-DELUXE
- (20F) DELUXE SOUND SYSTEM-WITHOUT
- (1F4) VIDEO CASSETTE PLAYER-W/O
- (1B1) CODES STANDARDS/USA
- (193) TV ANTENNA
- (14R) TV-9" 12V-DC
- (11V) VIDEO CASSETTE PLAYER
- (04L) JAPAN EXPORT PACKAGE
- (1B1) (265) 02 2220D



DETAIL CB



DETAIL CC (BACK VIEW)

(265) CODES/STANDARDS-CSA/CMVSS

(1B1) CODES STANDARDS/USA

(04L) JAPAN EXPORT PACKAGE

(1B1) (265) (04L) 02 22200

FOR ELECTRICAL TORQUE SPECIFICATIONS SEE DWG NO 128783-01-000

TITLE: WIRING INSTL-BODY, 12V(EXT)
 DWG NO 137232
 SHEET 3 OF 3

NOTES: