



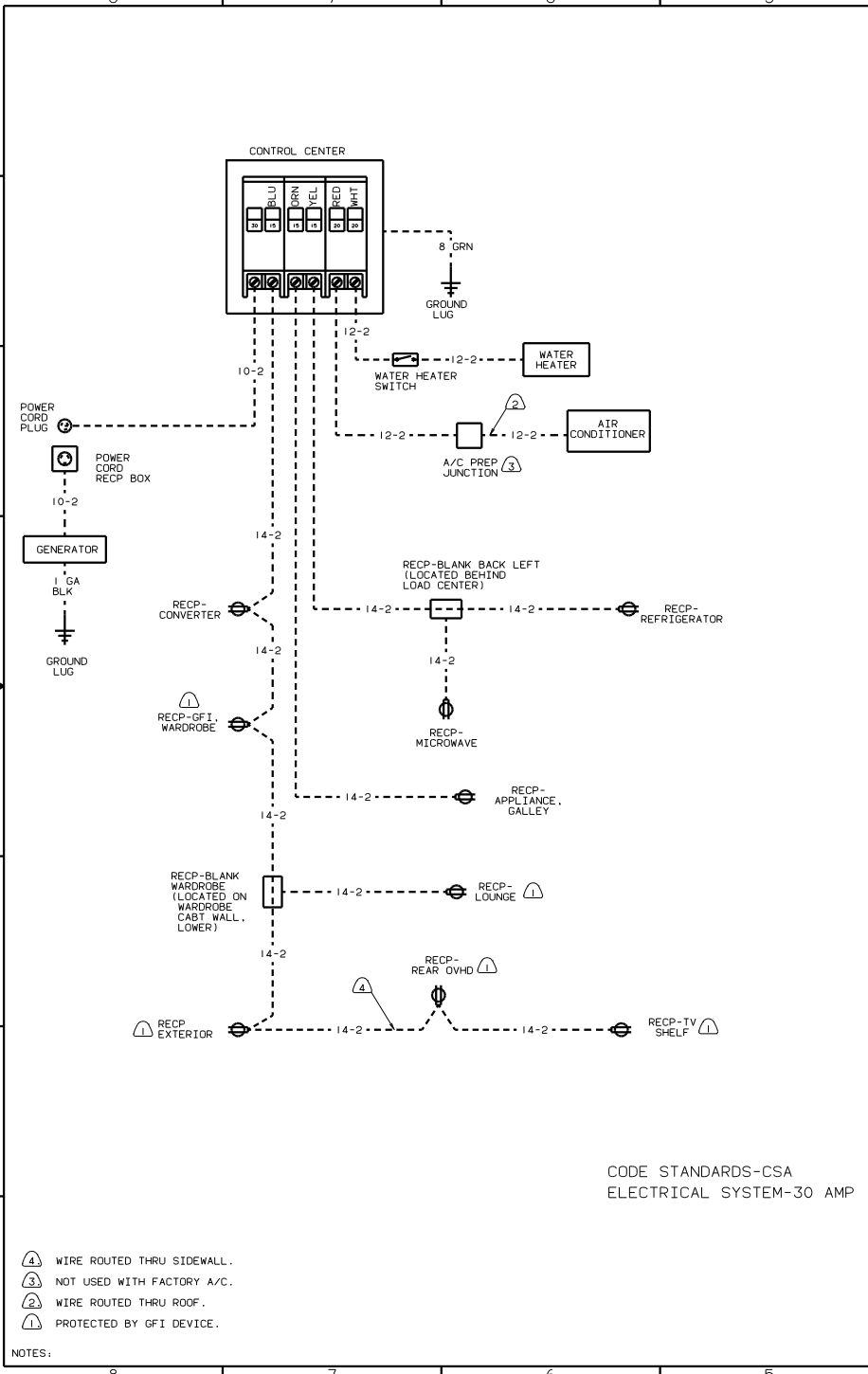
**DANGER**

**Danger of electrical shock, burns or death.** Always remove all power sources before attempting any repair, service or diagnostic work. Power can be present from shore power, generator, inverter or battery. All power sources must be disabled and secured before performing any service.



**CAUTION**

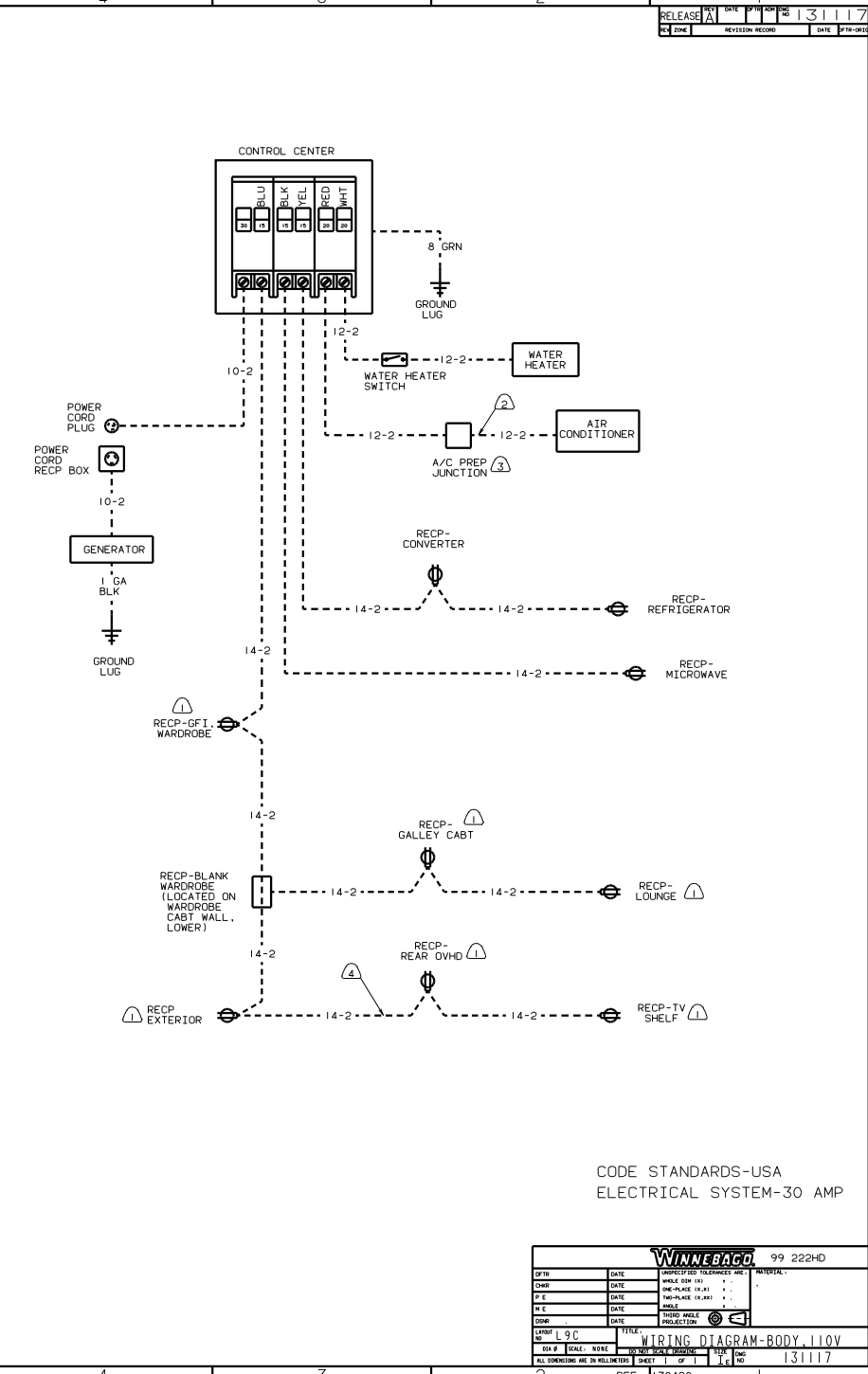
If you lack the skills, tools or equipment to perform diagnostic or repair work leave such work to an authorized Winnebago Industries dealer or other qualified shop.



CODE STANDARDS-CSA  
 ELECTRICAL SYSTEM-30 AMP

- ④ WIRE ROUTED THRU SIDEWALL.
- ③ NOT USED WITH FACTORY A/C.
- ② WIRE ROUTED THRU ROOF.
- ① PROTECTED BY GFI DEVICE.

NOTES:



CODE STANDARDS-USA  
 ELECTRICAL SYSTEM-30 AMP

WINNEBAGO 99 222HD	
DATE	UNDESIGNED TOLERANCES ARE:
DATE	WHOLE DIM (X)
DATE	ONE-PLACE (X.X)
DATE	TWO-PLACE (X.XX)
DATE	MIXED
DATE	INDIC. W/ANGLE
DATE	PROJECTION
LAYOUT L9C	TITLE
WIRING DIAGRAM-BODY 110V	
SHEET 1 OF 1	DATE 13 11 17
SCALE: NONE	REF: 130490