



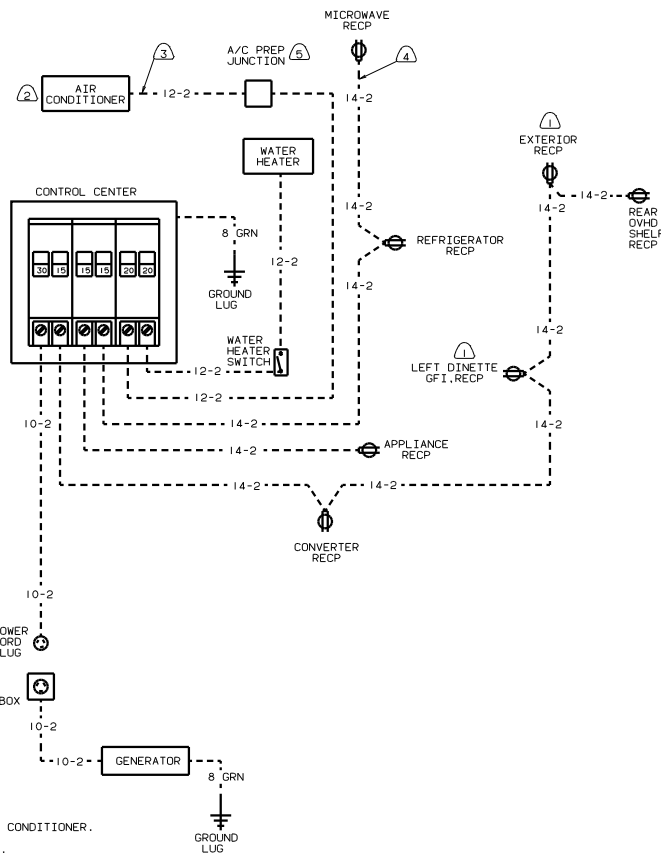
DANGER

Danger of electrical shock, burns or death. Always remove all power sources before attempting any repair, service or diagnostic work. Power can be present from shore power, generator, inverter or battery. All power sources must be disabled and secured before performing any service.

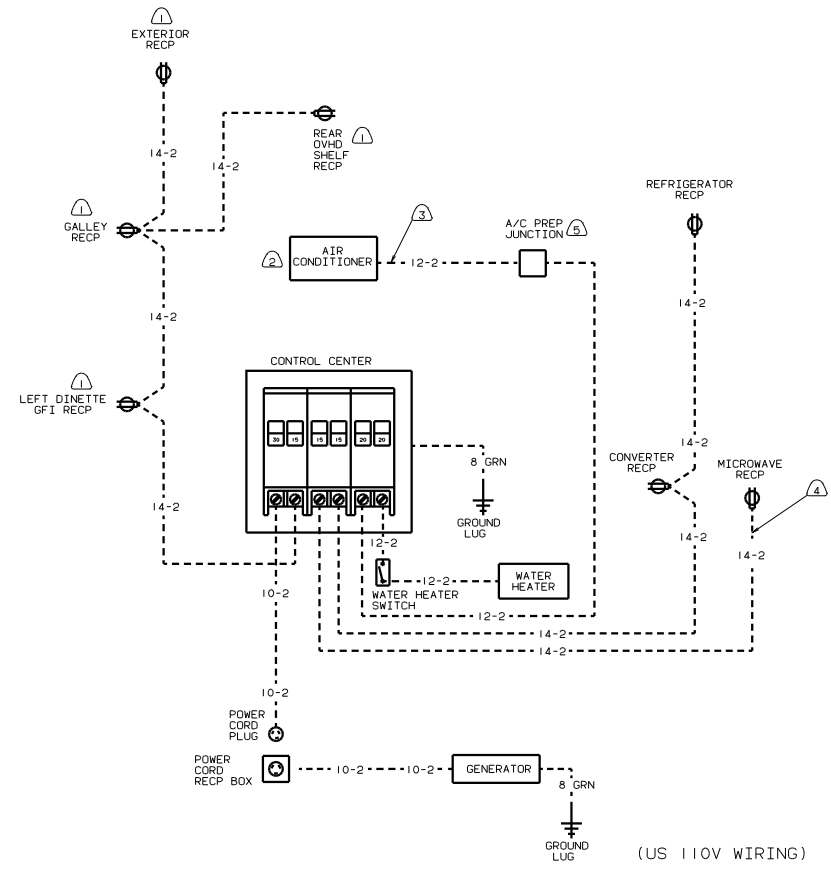


CAUTION

If you lack the skills, tools or equipment to perform diagnostic or repair work leave such work to an authorized Winnebago Industries dealer or other qualified shop.



(CAN 110V WIRING)

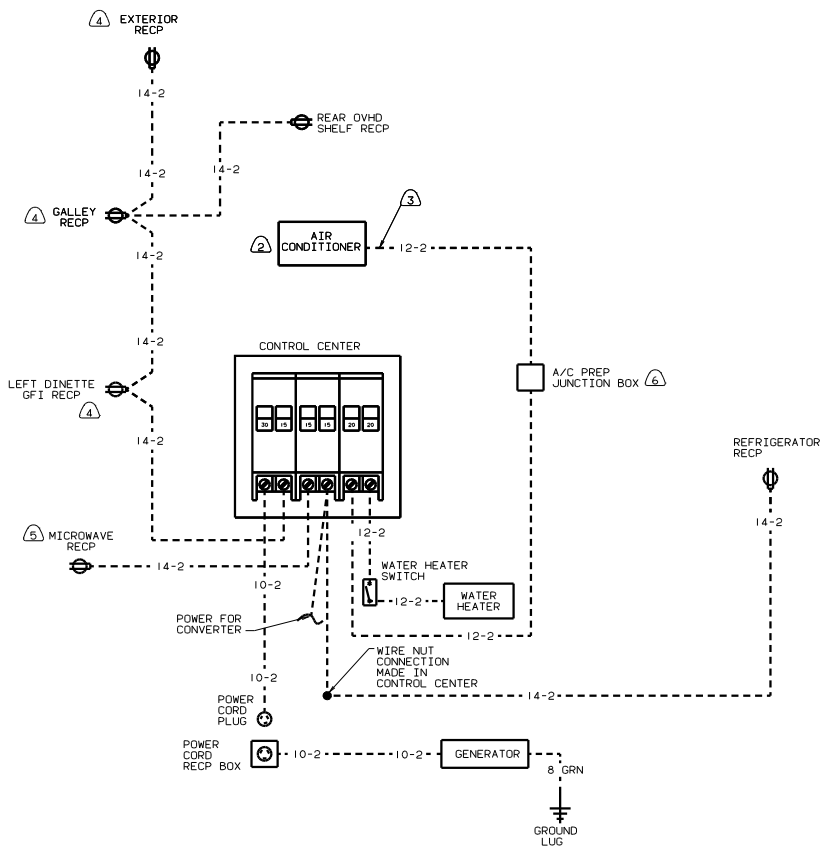


(US 110V WIRING)

- NOTES:
- ⑤ NOT USED WITH FACTORY AIR CONDITIONER.
 - ④ WIRE ROUTED THRU SIDEWALL.
 - ③ WIRE ROUTED THRU ROOF.
 - ② WITH FACTORY AIR CONDITIONER.
 - ① PROTECTED BY GFI RECP.

00 2220D
 99 2220D
 98 2220D

WINNEBAGO			
OF IN	DATE	UNDESIGNED TOLERANCES ARE:	MATERIAL
CHP	DATE	ONE-PLACE (1X.01)	
D/E	DATE	TWO-PLACE (1X.001)	
D/E	DATE	THREE-PLACE (1X.0001)	
COMP	DATE	INDICATE WAGLE PRODUCTION	
LAYOUT NO. _____ TITLE _____ DIA # _____ SCALE: NONE _____ DO NOT SCALE DIMENSIONS _____ ALL DIMENSIONS ARE IN MILLIMETERS SHEET 1 OF 1 FILE NO. 130490			



- ⑥ NOT USED WITH FACTORY AIR CONDITIONER.
- ⑤ WIRE ROUTED THRU SIDEWALL.
- ④ PROTECTED BY GFI RECP.
- ③ WIRE ROUTED THRU ROOF.
- ② WITH AIR CONDITIONER.
- ① ALL CIRCUITS PROTECTED BY GFI MAIN BREAKER.

(JAPANESE 110V WIRING)

NOTES:

99 2220D

TITLE: WIRING DIAGRAM-BODY	
DO NOT SCALE DRAWING	FIG. NO.
SHEET 2 OF 2	130490