



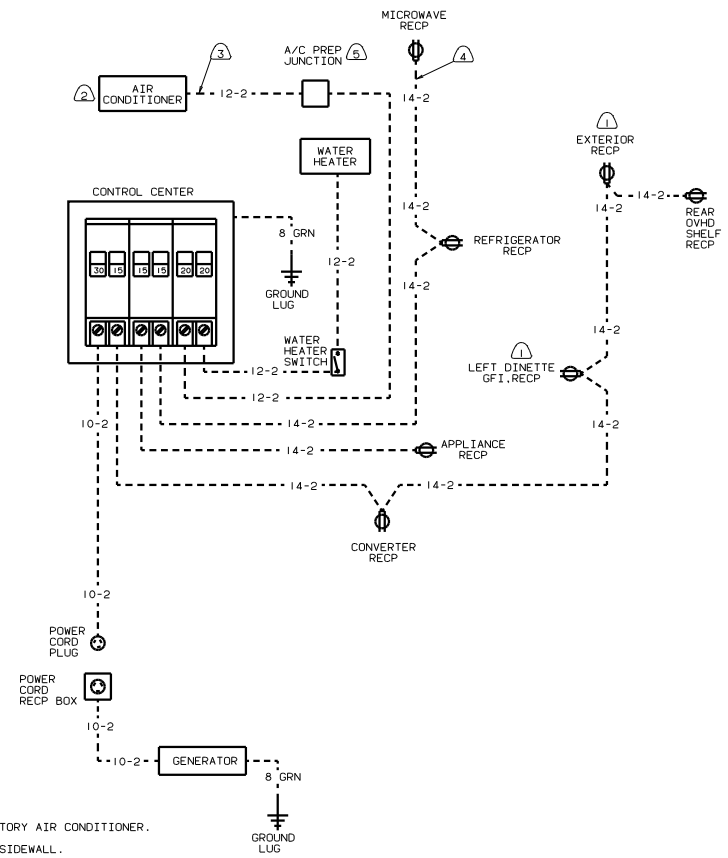
DANGER

Danger of electrical shock, burns or death. Always remove all power sources before attempting any repair, service or diagnostic work. Power can be present from shore power, generator, inverter or battery. All power sources must be disabled and secured before performing any service.



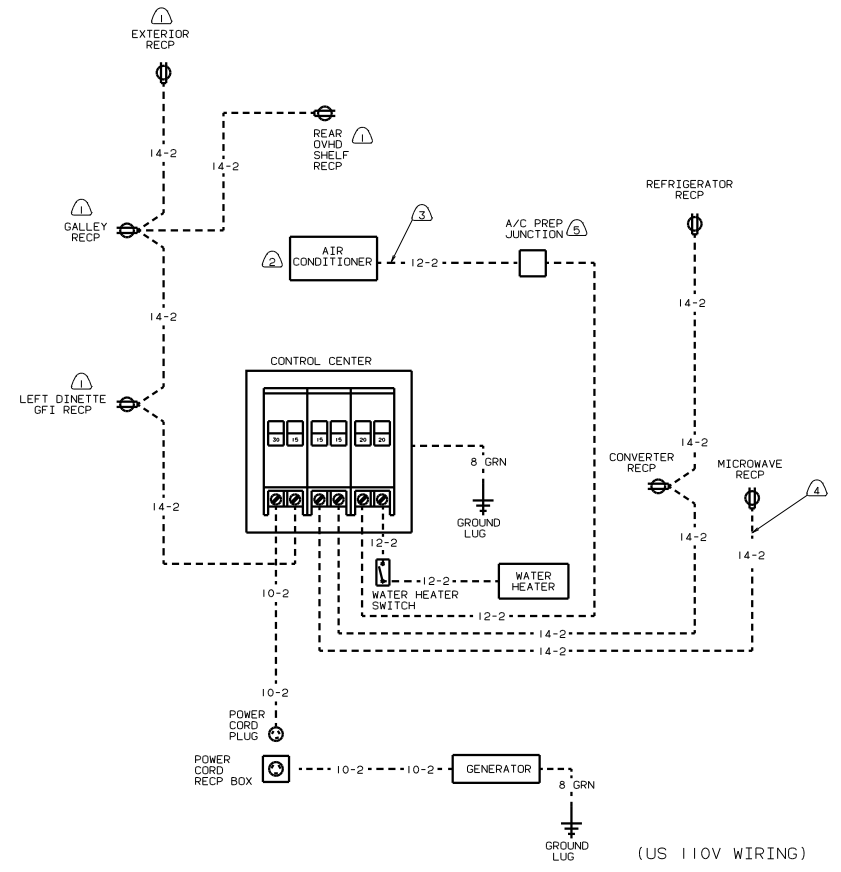
CAUTION

If you lack the skills, tools or equipment to perform diagnostic or repair work leave such work to an authorized Winnebago Industries dealer or other qualified shop.



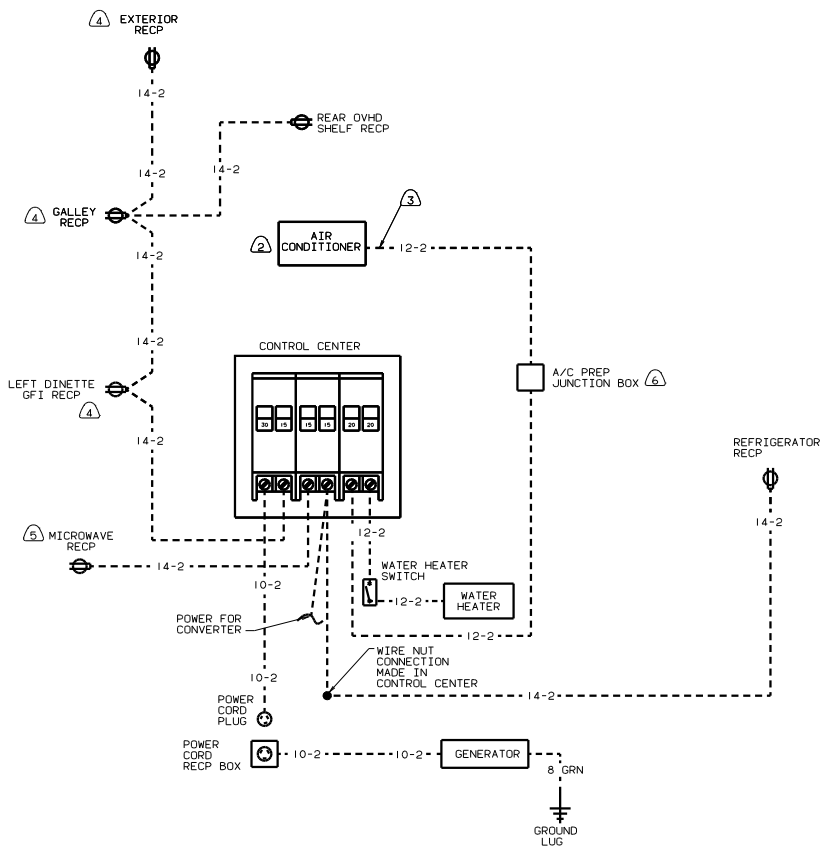
(CAN 110V WIRING)

- ⑤ NOT USED WITH FACTORY AIR CONDITIONER.
- ④ WIRE ROUTED THRU SIDEWALL.
- ③ WIRE ROUTED THRU ROOF.
- ② WITH FACTORY AIR CONDITIONER.
- ① PROTECTED BY GFI RECP.



(US 110V WIRING)

OF IN		DATE	UNDESIGNED TOLERANCES ARE	MATERIAL
CHP	DATE	WHILE ON 101	ONE-PLACE (19.01)	
DYE	DATE	ONE-PLACE (19.00)		
D/E	DATE	WHILE		
COMB	DATE	INDUS. WAGLE PRODUCTION		
LAYOUT		DATE	TITLE	
BY		SCALE	WIRING DIAGRAM-BODY 110V	
ALL DIMENSIONS ARE IN MILLIMETERS		SHEET	1	OF 1



- ⑥ NOT USED WITH FACTORY AIR CONDITIONER.
- ⑤ WIRE ROUTED THRU SIDEWALL.
- ④ PROTECTED BY GFI RECP.
- ③ WIRE ROUTED THRU ROOF.
- ② WITH AIR CONDITIONER.
- ① ALL CIRCUITS PROTECTED BY GFI MAIN BREAKER.

(JAPANESE 110V WIRING)

NOTES:

TITLE: WIRING DIAGRAM-BODY	
DO NOT SCALE DRAWING	FIG. NO.
SHEET 2 OF 2	126967