



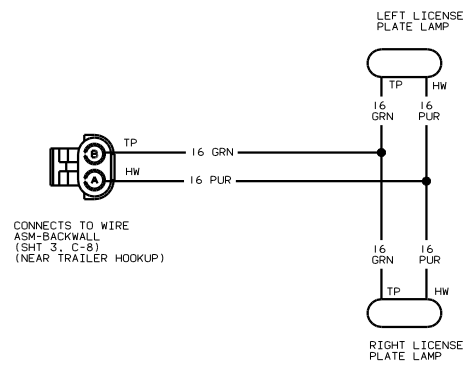
DANGER

Danger of electrical shock, burns or death. Always remove all power sources before attempting any repair, service or diagnostic work. Power can be present from shore power, generator, inverter or battery. All power sources must be disabled and secured before performing any service.

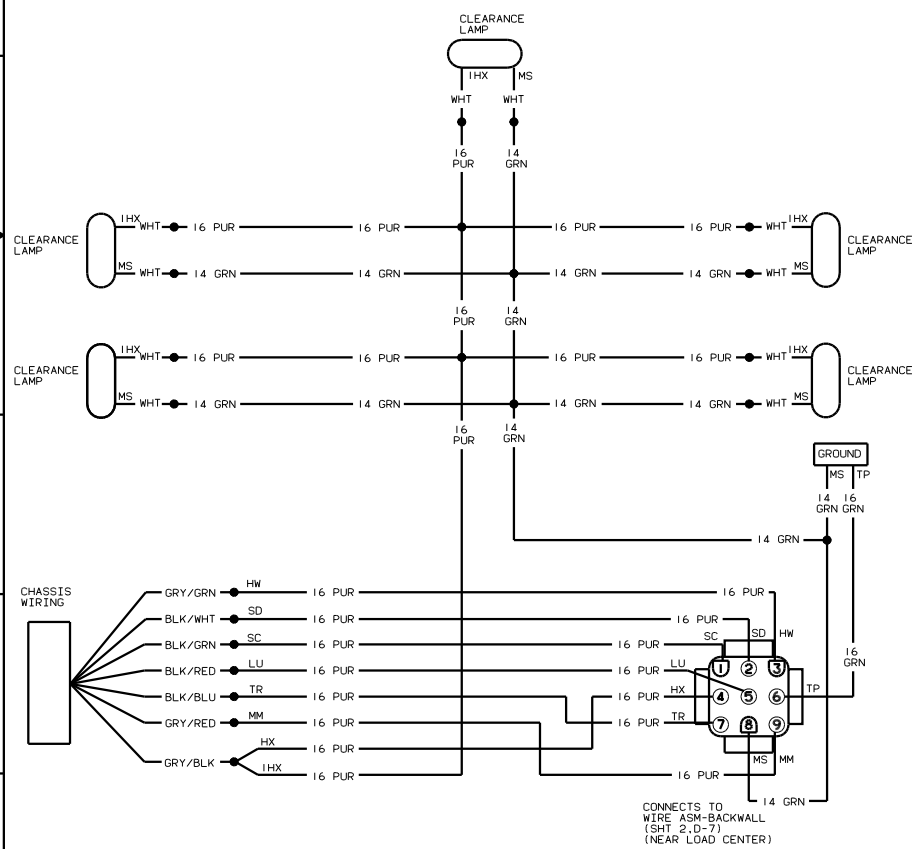


CAUTION

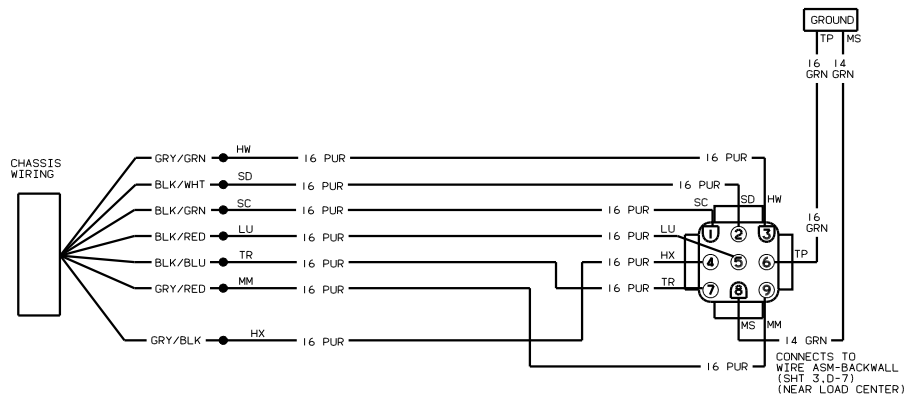
If you lack the skills, tools or equipment to perform diagnostic or repair work leave such work to an authorized Winnebago Industries dealer or other qualified shop.



WIRING DIAGRAM LICENSE PLATE LAMPS
(WIRE ASM 113731-02 US/CA)
(WIRE ASM-113731-01 JAPAN EXPORT)

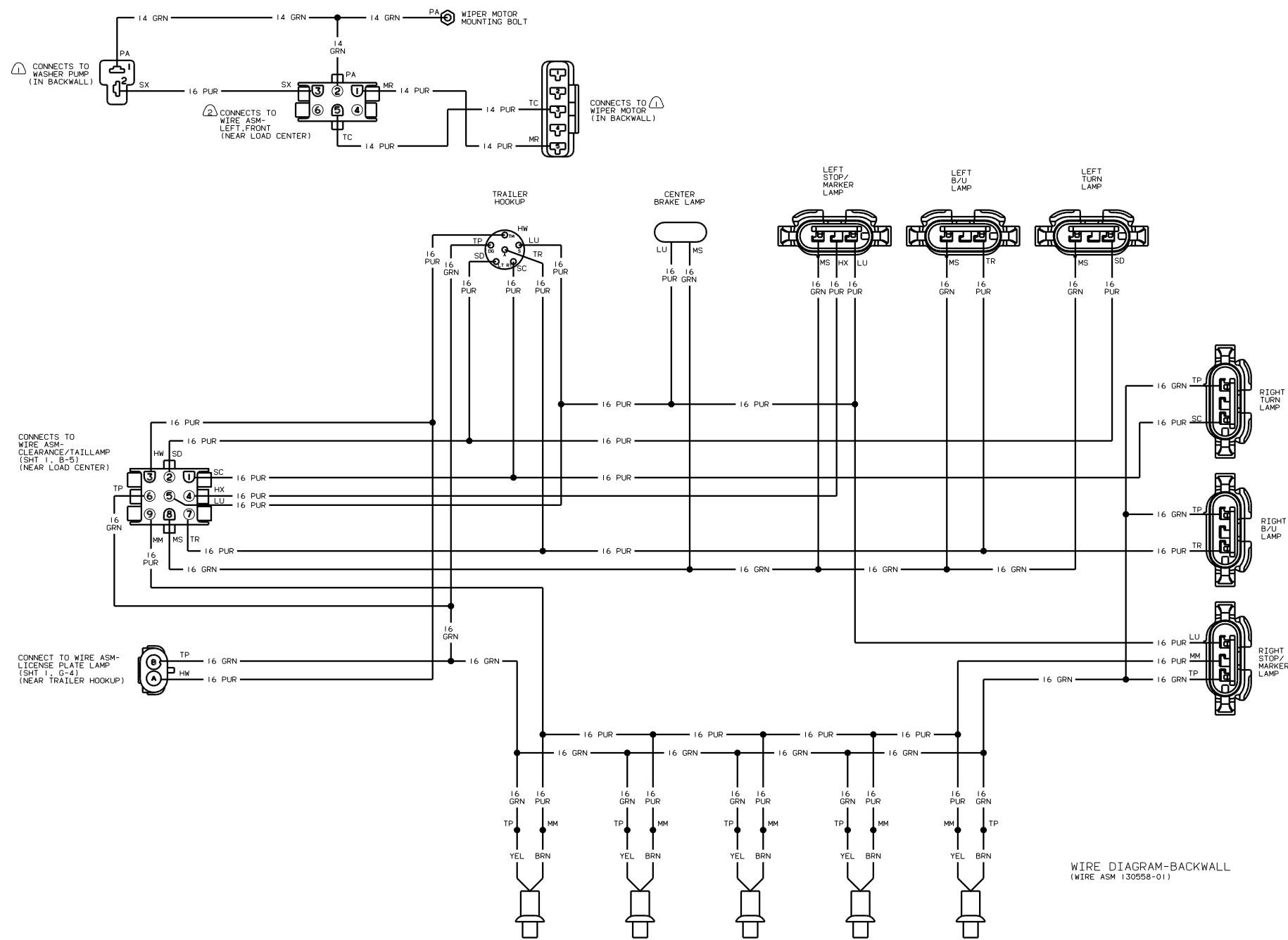


WIRING DIAGRAM-EXTERIOR LAMPS
(WIRE ASM 131083-01 OD HD)
(WIRE ASM 131083-02 FD)
(WIRE ASM 131083-03 SHELL)



WIRING DIAGRAM-CLEARANCE/TAILLAMPS
(WIRE ASM 131083-04)
(JAPAN EXPORT)

OF IN		DATE	UNSPECIFIED TOLERANCES ARE:	INVERTICAL
CHP	DATE	W/16 000 101	+	
PIE	DATE	ONE-PLACE 19.81	+	
W/E	DATE	TWO-PLACE 19.803	+	
DATE	DATE	ANGLE	+	
COMP	DATE	INDIC. W/16	+	
	DATE	PROJECTION	+	
LAYOUT NO.		TITLE		130504
REV #		SCALE	NOTE	WIRING DIAGRAM-AUTO LAMPS
ALL DIMENSIONS ARE IN MILLIMETERS		SHEET	1 OF 3	130504



CONNECTS TO WASHER PUMP (IN BACKWALL)

CONNECTS TO WIPER MOTOR (NEAR LOAD CENTER)

CONNECTS TO WIPER MOTOR (IN BACKWALL)

CONNECTS TO WIRE ASM-CLEARANCE/TAILLAMP (SHT 1, 6-6) (NEAR LOAD CENTER)

CONNECT TO WIRE ASM-LICENSE PLATE LAMP (SHT 1, 6-4) (NEAR TRAILER HOOKUP)

WIRE DIAGRAM-BACKWALL (WIRE ASM 130558-01)

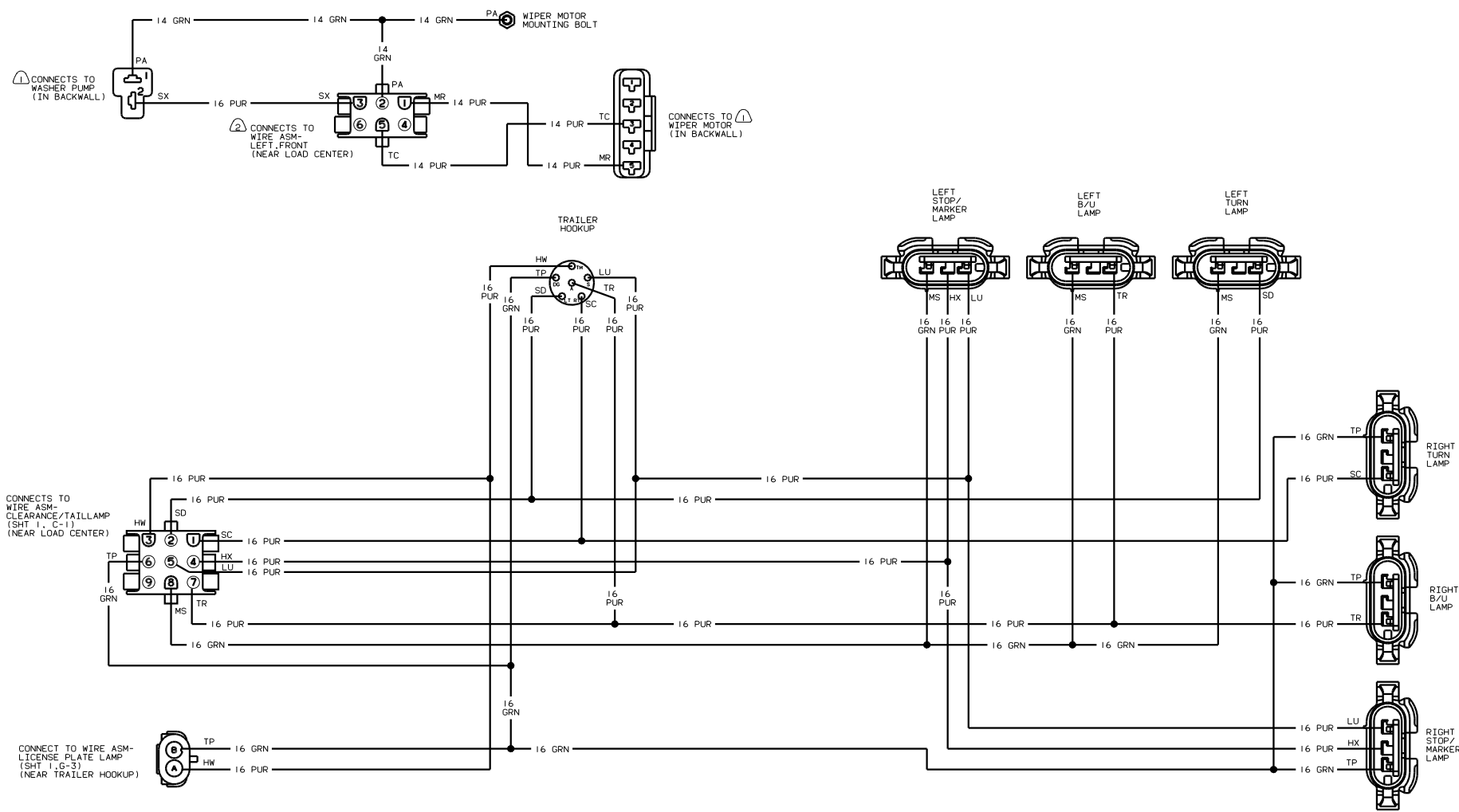
99 200 SERIES

TITLE		WIRING DIAGRAM-AUTO LAMPS	
DATE	BY	DATE	BY
11/11/04	J.E.	11/11/04	J.E.
SHEET 2 OF 3		130504	

NOTES:

(2) SEE WIRING DIAGRAM-BODY FOR ADDITIONAL INFORMATION.

(1) SEE MANUFACTURER'S DIAGRAM FOR ADDITIONAL INFORMATION.



WIRE DIAGRAM-BACKWALL
(WIRE ASM 130558-02)
(JAPAN EXPORT)

99 200 SERIES

WIRING DIAGRAM-AUTO LAMPS	
NO. OF PAGES: 3	FIG. NO. 130504
SHEET 3 OF 3	

- ② SEE WIRING DIAGRAM-BODY FOR ADDITIONAL INFORMATION.
- ① SEE MANUFACTURER'S DIAGRAM FOR ADDITIONAL INFORMATION.