



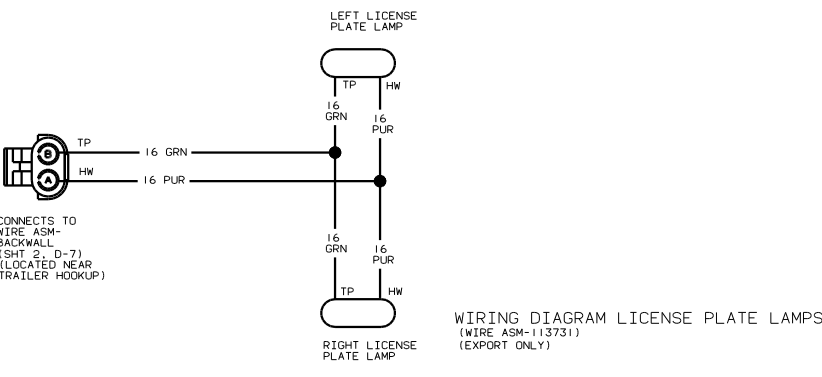
**DANGER**

**Danger of electrical shock, burns or death.** Always remove all power sources before attempting any repair, service or diagnostic work. Power can be present from shore power, generator, inverter or battery. All power sources must be disabled and secured before performing any service.

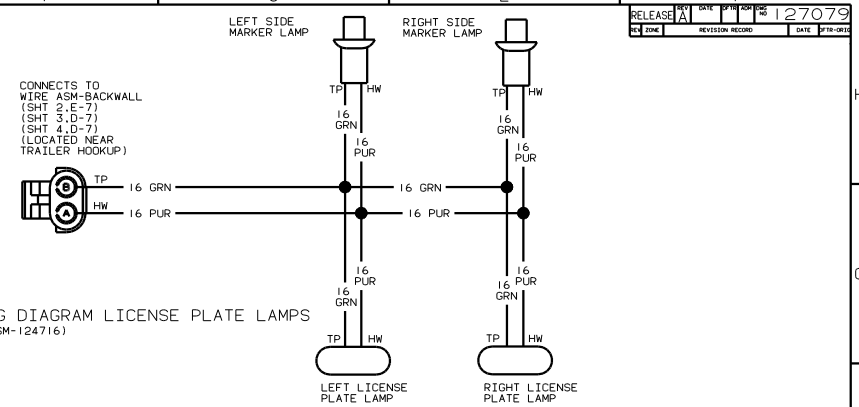


**CAUTION**

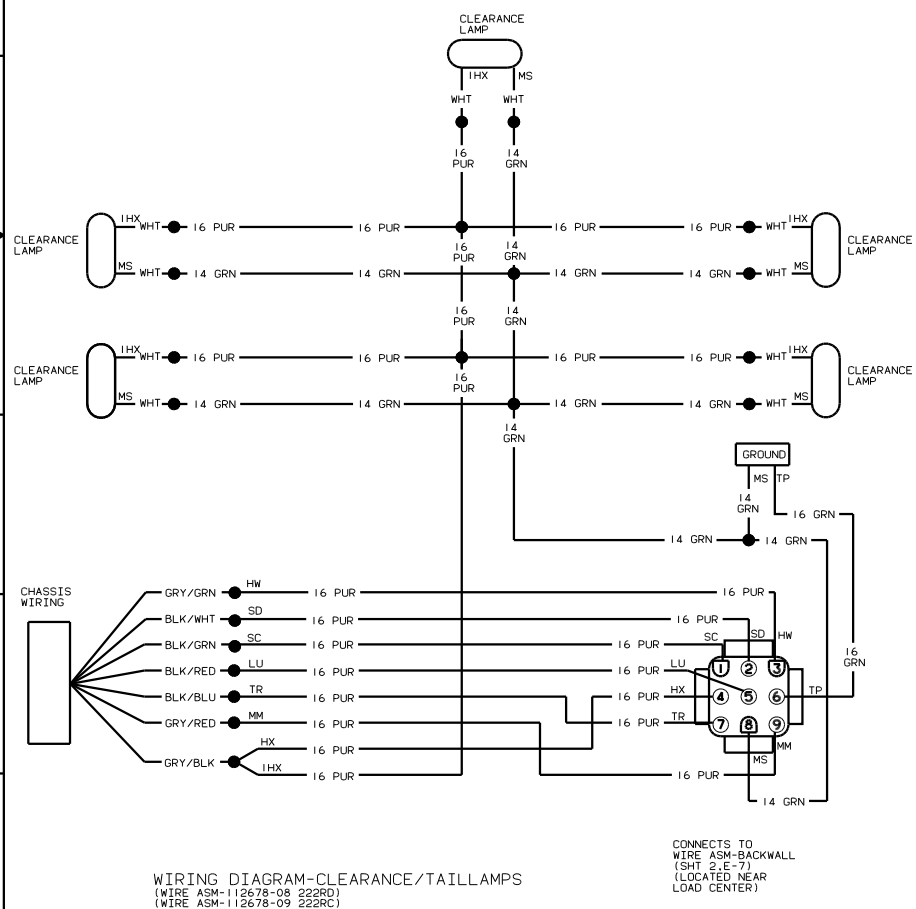
If you lack the skills, tools or equipment to perform diagnostic or repair work leave such work to an authorized Winnebago Industries dealer or other qualified shop.



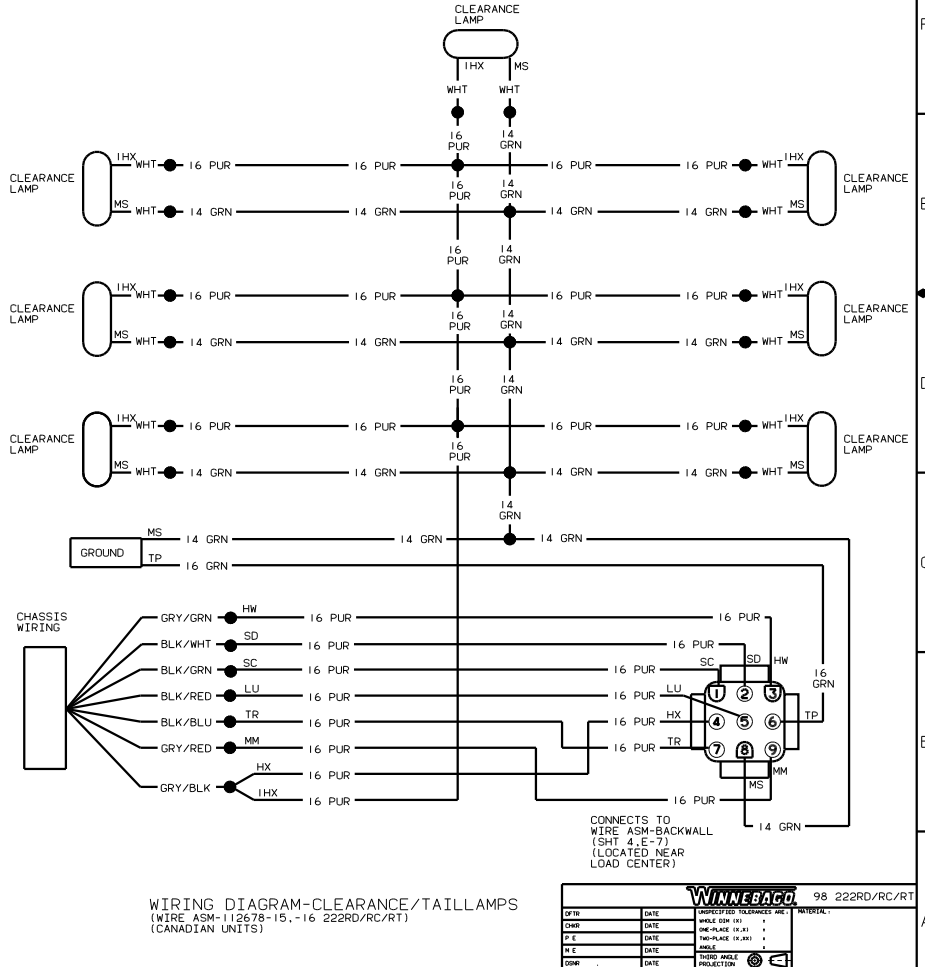
WIRING DIAGRAM LICENSE PLATE LAMPS  
(WIRE ASM-113731)  
(EXPORT ONLY)



WIRING DIAGRAM LICENSE PLATE LAMPS  
(WIRE ASM-124716)



WIRING DIAGRAM-CLEARANCE/TAILLAMPS  
(WIRE ASM-112678-08 222RD)  
(WIRE ASM-112678-09 222RC)



WIRING DIAGRAM-CLEARANCE/TAILLAMPS  
(WIRE ASM-112678-15, -16 222RD/RC/RT)  
(CANADIAN UNITS)

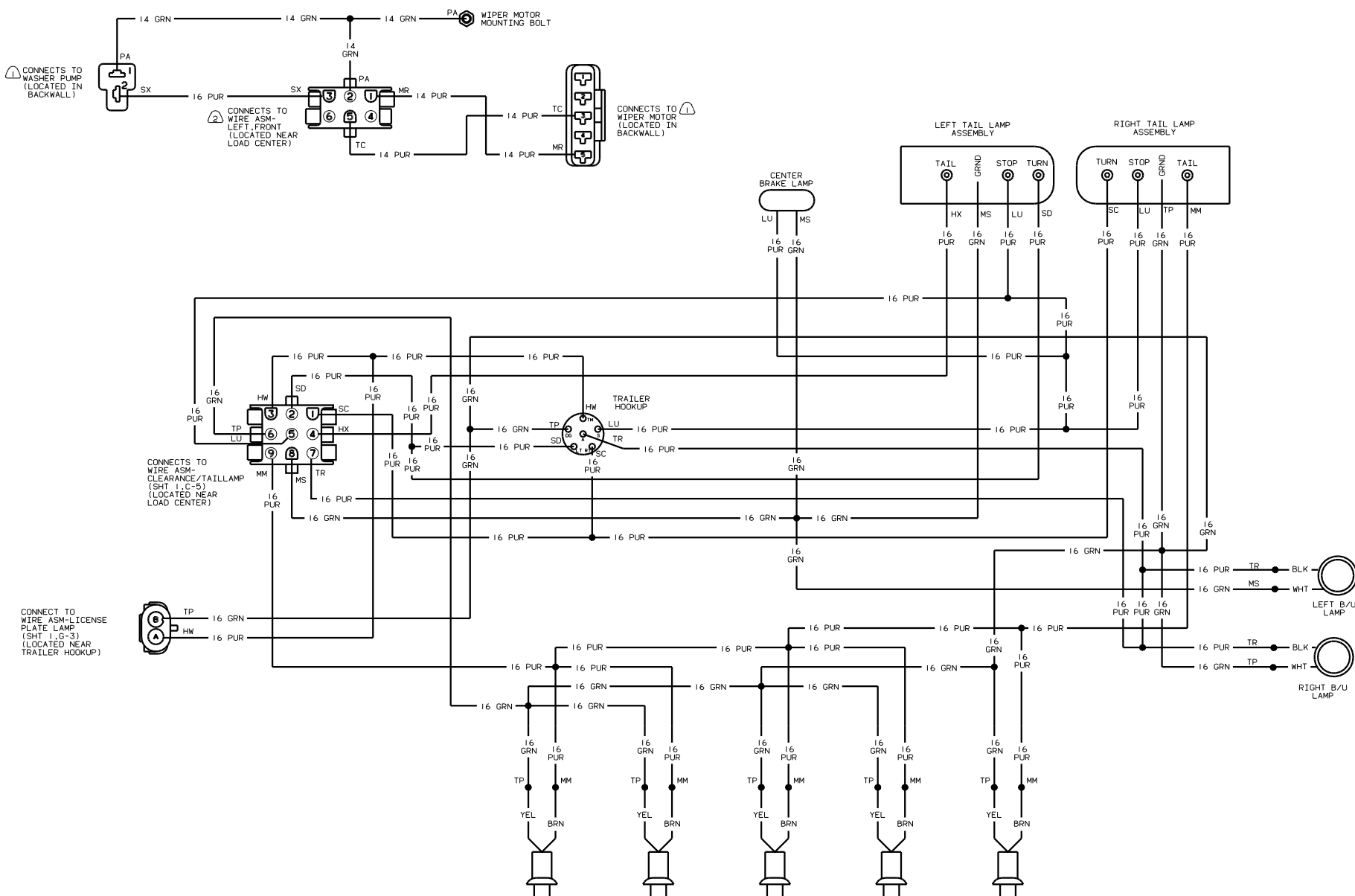
**WINNEBAGO** 98 222RD/RC/RT

DATE	DESCRIPTION	BY
DATE	UNSPECIFIED TOLERANCES ARE AS SHOWN UNLESS OTHERWISE SPECIFIED	
DATE	ONE-PHASE 115V 60 HZ 1.0	
DATE	ONE-PHASE 115V 60 HZ 1.0	
DATE	ONE-PHASE 115V 60 HZ 1.0	
DATE	INDICATED W/ANGLED PROJECTION	
DATE		

**WIRING DIAGRAM-AUTO LAMPS**

REV 9 SCALE: NONE TO THE SCALE SHOWN SHEET 1 OF 4

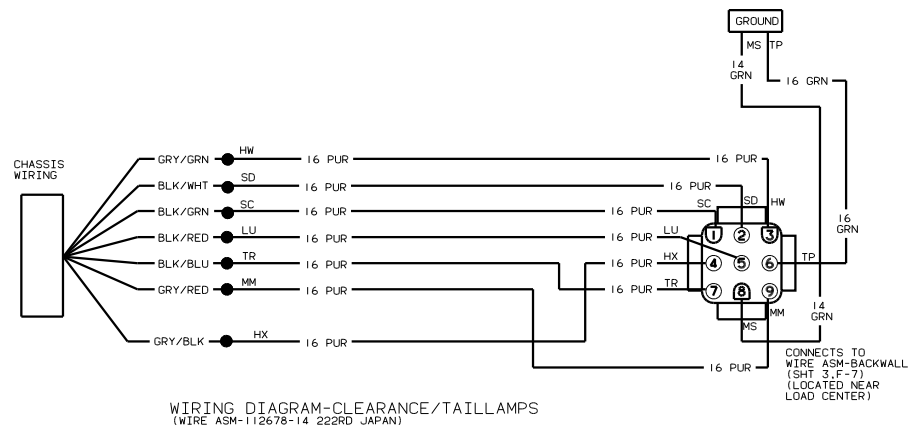
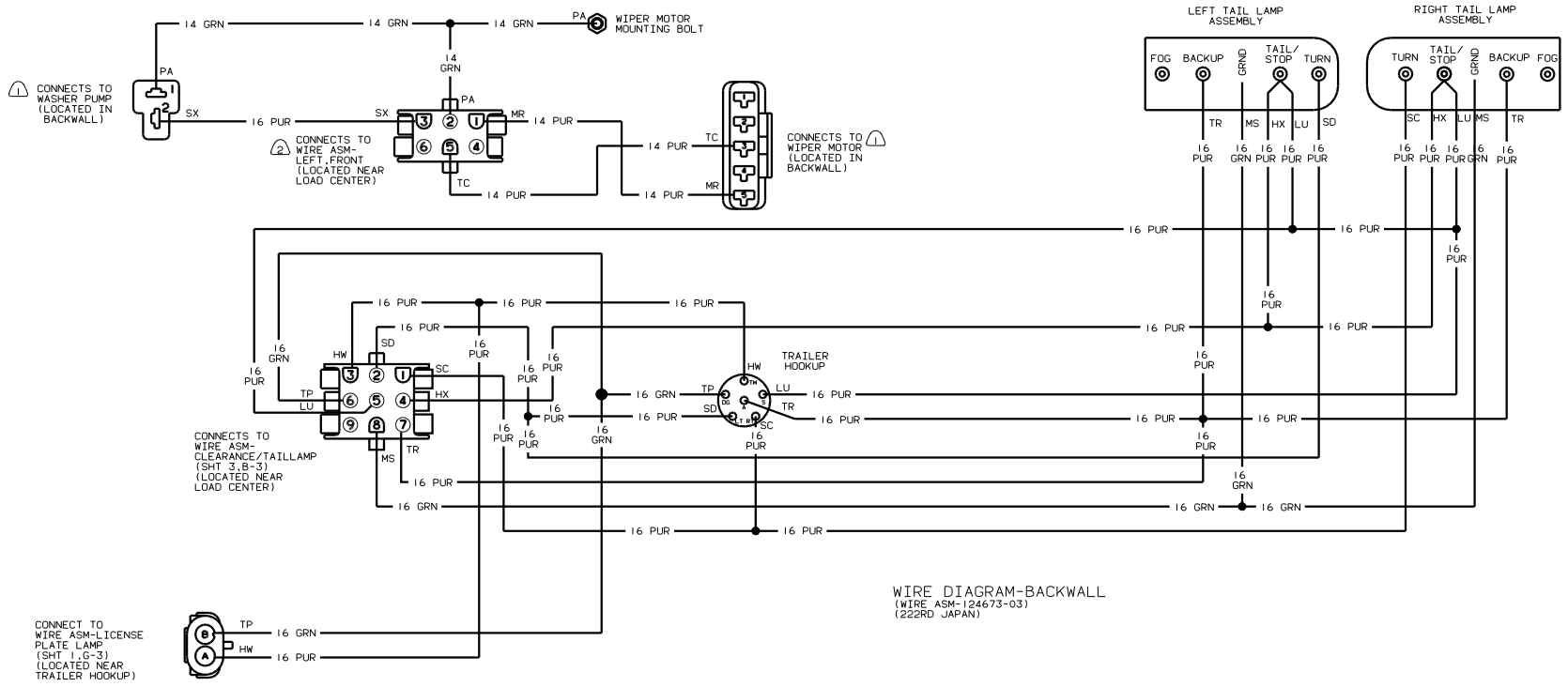
DATE 127079



WIRE DIAGRAM-BACKWALL (WIRE ASM 124673-01)

(2) SEE WIRING DIAGRAM-BODY FOR ADDITIONAL INFORMATION.  
 (1) SEE MANUFACTURER'S DIAGRAM FOR ADDITIONAL INFORMATION.

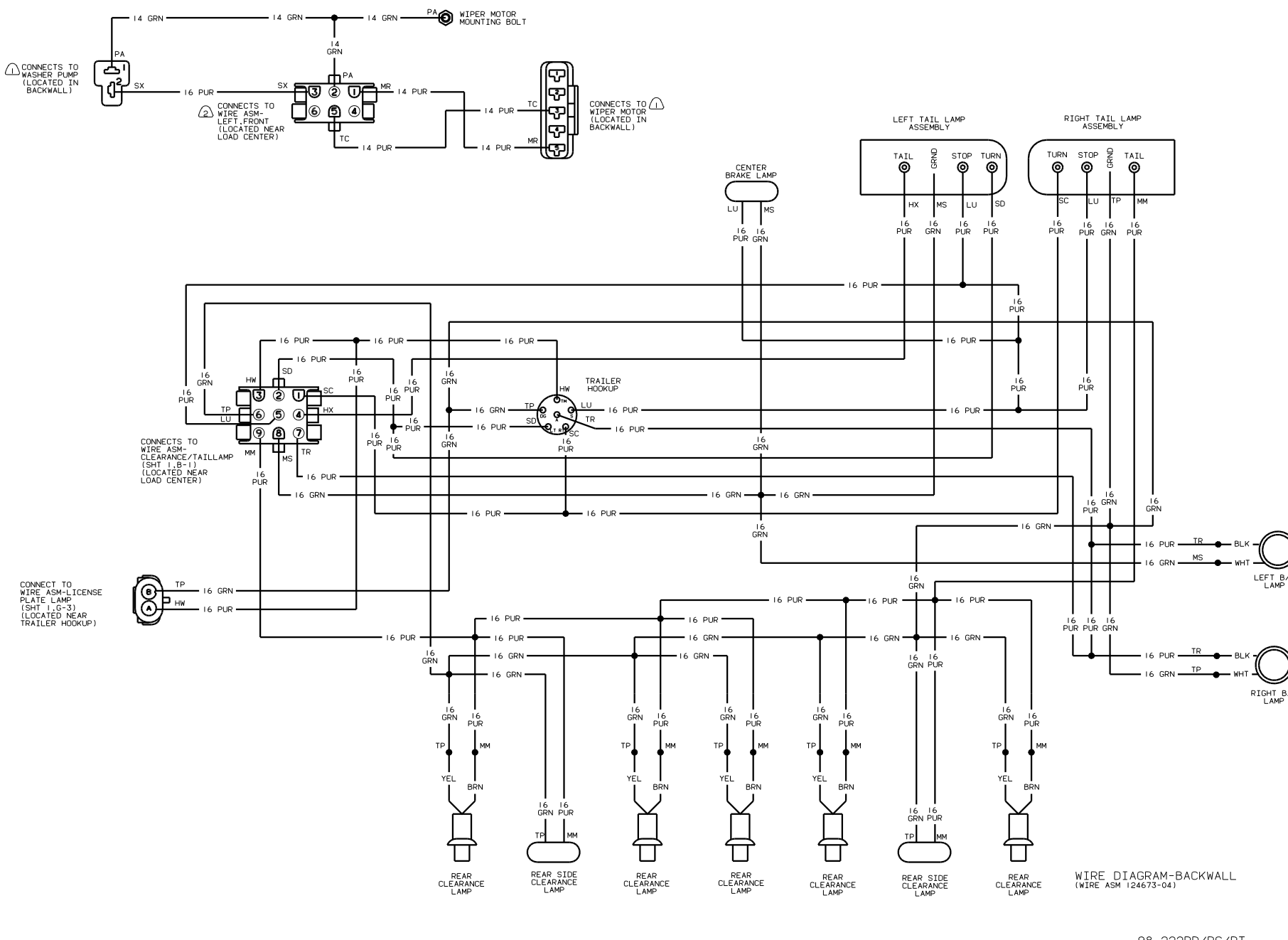
98 222RD/RC	
WIRING DIAGRAM-AUTO LAMPS	
30 WIRE BULK CABLE	16
SHEET 2 OF 4	16
127079	



② SEE WIRING DIAGRAM-BODY FOR ADDITIONAL INFORMATION.  
 ① SEE MANUFACTURER'S DIAGRAM FOR ADDITIONAL INFORMATION.

98 222RD/RC

TITLE		WIRING DIAGRAM-AUTO LAMPS	
DATE	SCALE	REV	1.0
SHEET 3	OF 4	FIG NO	127079



WIRE DIAGRAM-BACKWALL (WIRE ASM 124673-04)

98 222RD/RC/RT CANADIAN

② SEE WIRING DIAGRAM-BODY FOR ADDITIONAL INFORMATION.  
 ① SEE MANUFACTURER'S DIAGRAM FOR ADDITIONAL INFORMATION.