

Atwood Marine Water Heaters



Model E-20

Model EHM-11

Model SST-10

Model EHM-6

Model EHM-4

Creating the Standard in the Boating Industry

Atwood has designed and manufactured water heaters for recreation vehicles for more than 30 years. Our engineering, manufacturing and application expertise have been honed by time and the experience of supplying millions of water heaters. Almost 20 years ago, Atwood applied this specialized knowledge to meet the needs of the marine industry. In doing so, we designed the water heaters that have become the standard in the boating industry.

Performance

Our water heaters have been designed not only to heat water quickly and efficiently, but to also deliver every ounce of usable hot water possible from the tank. Atwood water heaters perform reliably, assuring customer satisfaction and full use of hot water benefits designed in your pleasure boats.

Additional Features Include:

Forgiving incolloy element—

Each Atwood electric water heater is equipped with a high quality 120 volt/1400 watt incolloy® heating element designed to withstand accidental operation in an empty tank. A 220

volt/1500 watt version is also available. The electrical system is ignition protected and meets UL specifications.

Safe and efficient heat exchangers—

To quickly heat water when under power, Atwood has developed efficient heat exchangers. Each heat exchanger is specifically designed for the water heater's capacity resulting in heat up times superior to competitive models. These heat exchangers ensure safety by using a unique double tube construction which prevents



With casings constructed of highly corrosion-resistant aluminum, Atwood water heaters resist even the harshest marine environments.

any possibility of engine coolant contaminating the fresh water system.

Corrosion resistant exterior—The casing of every Atwood electric water heater is constructed from corrosion resistant materials and then carefully painted to stand up against the most corrosive marine environments. Special attention to detail on edges and corners helps assure greater handling safety.

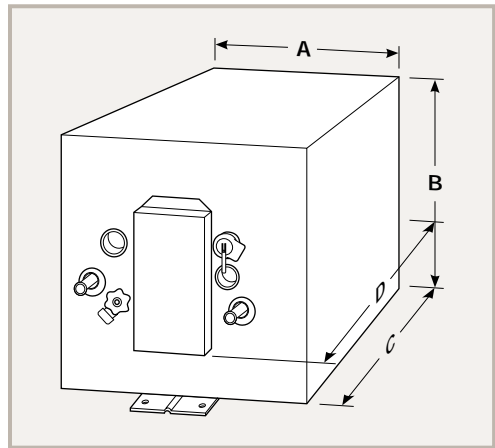
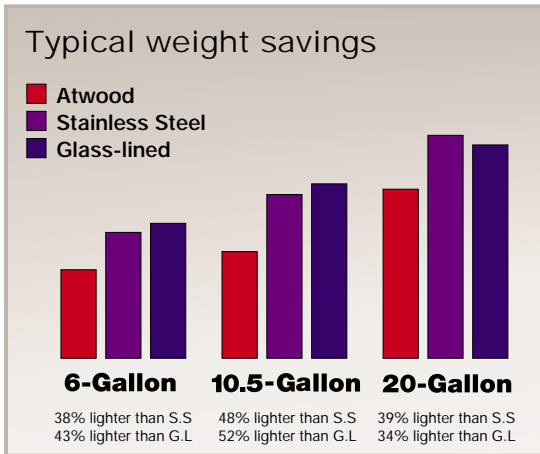
Designed for installation flexibility—

The cubic shape and lightweight aluminum-alloy tank offers greater flexibility for water heater location in floor plans.

Compliance—All 220/vac models carry the CE mark and comply with ISO 8846 "Ignition Protection." A unit for installation in a 75 P.S.I. system is available.

Note: volume will be slightly less.

Atwood Marine Water Heater Specifications



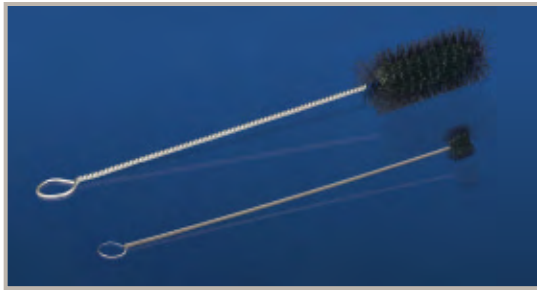
Atwood Marine Water Heaters Offer Substantial Weight Savings

Through the years, Atwood has advanced the technology and the application of highly specialized aluminum alloys used in forming the tanks of our water heaters. This technology delivers superior tank life, while allowing us to maintain substantial weight savings over all competitive models and greater design flexibility in location of the water heater for boat manufacturers. All marine water heaters have a recovery rate of 7.21 gallons per hour.

MARINE WATER HEATER SELECTION GUIDE AND DIMENSIONS															
Part No.	Model No.	Description	Electric Input	Capacity*		Net Wt. (Empty)		A		B		C		D	
				gal.	liters	lb.	kg.	in.	mm	in.	mm	in.	mm	in.	mm
96411	EHM4	Electric water heater with heat exchanger	1400 watt /120 VAC	4	--	20.5	9.3	13	330	13	330	12	304	16	406
94106	EHM4-220	Electric water heater with heat exchanger	1500 watt /220 VAC	4	--	20.5	9.3	13	330	13	330	12	304	16	406
93891	EHM6	Electric water heater with heat exchanger	1400 watt /120 VAC	6	23	20.5	9.3	13	330	13	330	15 3/4	400	19 3/4	501.16
94610	EHM6 SST	Electric water heater with stainless steel casing	1400 watt /120 VAC	6	23	20.5	9.3	13	330	13	330	15 3/4	400	19 3/4	501.16
94590	EHM6-220	Electric water heater with heat exchanger	1500 watt /220 VAC	6	23	20.5	9.3	13	330	13	330	15 3/4	400	19 3/4	501.16
94605	EHM6-220 SST	Electric water heater with heat exchanger	1500 watt /220 VAC	6	23	20.5	9.3	13	330	13	330	15 3/4	400	19 3/4	501.16
94575	EHM11-220 SST	Electric water heater with heat exchanger	1500 watt /220 VAC	10.5	40	27.5	12.47	15 3/4	400	15 3/4	400	15 3/4	400	19 3/4	501.16
93882	EHM11	Electric water heater with heat exchanger	1400 watt /120 VAC	10.5	40	26	11.8	15 3/4	400	15 3/4	400	15 3/4	400	19 3/4	501.16
94550	EHM11 SST	Electric water heater with stainless steel casing	1400 watt /120 VAC	10.5	40	26	11.8	15 3/4	400	15 3/4	400	15 3/4	400	19 3/4	501.16
94555	EHM11-220	Electric water heater with heat exchanger	1500 watt /220 VAC	10.5	40	26	11.8	15 3/4	400	15 3/4	400	15 3/4	400	19 3/4	501.16
96335	EHP10	Electric water heater with thermostatically controlled, high-efficiency heat exchanger	1400 watt /120 VAC	10	38	27.5	12.47	15 3/4	400	15 3/4	400	15 3/4	400	19 3/4	501.16
94210	EH20	Electric water heater with heat exchanger	1400 watt /120 VAC	20	76	43	19.5	15 3/4	400	15 3/4	400	29	736.6	33	838.2
94220	EH20-220	Electric water heater with heat exchanger	1500 watt /220 VAC	20	76	43	19.5	15 3/4	400	15 3/4	400	29	736.6	33	838.2
94215	E20	Electric water heater	1400 watt /120 VAC	20	76	40	18.1	15 3/4	400	15 3/4	400	29	736.6	33	838.2
94225	E20-220	Electric water heater	1500 watt /220 VAC	20	76	40	18.1	15 3/4	400	15 3/4	400	29	736.6	33	838.2

* Capacities are based on 150 p.s.i pressure relief valve.

Atwood RV Accessories



Flue Tube Brush-91871 Main Burner Brush-91872

Avoid down time by periodic cleaning of the flue tube and main burner tube. Gets rid of spider webs, leaves and other potential obstructions.



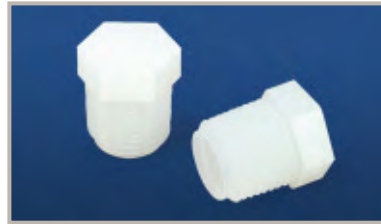
Adjustable Thermostat-93105

Control the temperature of your Atwood electronic ignition water heater from 110° to 150°. Installs easily with a flat blade screwdriver.



Flush Mount Flange

Innovative flange recesses the water heater into the RV sidewall for a more integrated, attractive appearance.



Drain Plugs -91857

For use in Atwood Recreation Vehicle Water Heaters.



Door Mounting Systems

6 gallon pilot-91523 10 gallon pilot-93987

To increase available above floor space, Atwood offers a special door that allows the water heater to be mounted below the floor and behind a baggage door which also reduces the outwardly visible portion of the water heater to only the exhaust grate.



Fused Circuit Board

Atwood's new fused circuit board provides protection for your DSI water heater from voltage spikes and shorts in the electrical system.



Thermal Cut-Off Kit-93866

An Atwood heat fuse helps protect your electronic ignition water heater from damage caused by excessive heat conditions.

Replacement Water Heater

see pg 3 to order by model #

Includes water heater, switch assembly, door, attaching hardware and illustrated assembly instructions.



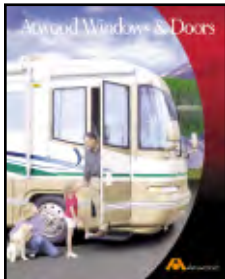


Atwood Products

Atwood Mobile Products offers a wide range of products for many markets including, but not limited to, the Recreation Vehicle, Agricultural, Commercial, Industrial, Marine, Mass Transit, and Van Conversion industries. Product literature is available by calling 815-877-5700 or asking your regional salesperson.

Atwood Capabilities Brochure

- An overview of Atwood



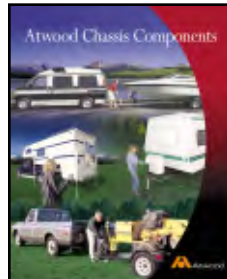
Atwood Windows & Doors

- Recreation Vehicle
- Mass Transit
- Commercial Bus
- Heavy Truck



Atwood Glass Products

- Recreation Vehicles
- Commercial Vehicles
- Commercial Buildings
- Residential Buildings



Chassis Components

- Agricultural
- Commercial
- Industrial
- Marine
- Recreation Vehicles



Atwood Furnaces

- Recreation Vehicles
- Marine



Atwood Ranges & Cooktops

- Recreation Vehicles
- Marine



Wedgewood Vision Ranges

- Recreation Vehicle



Atwood Seating Systems Currently being updated

- Van Conversion
- Heavy Truck
- Commercial
- Agricultural
- Off-Road



Atwood Marine Products

- Marine



Atwood CO & LP Gas Alarms

- Recreation Vehicle

Atwood Plants

Rockford Operations

4750 Hiawatha Drive
Rockford, IL 61103
Ph: 815-877-5700
FAX: 815-877-7469

*Chassis Components
and Water Heaters*



Greenbrier Operations

6320 Kelly Willis Road
Greenbrier, TN 37073
Ph: 615-643-4556
FAX: 615-643-4616

Ranges and Cooktops



Atwood Center

1120 North Main Street
Elkhart, IN 46761
Ph: 219-264-2131
FAX: 219-264-2136

Windows and Doors



Elkhart Operations

57912 Charlotte Avenue
Elkhart, IN 46517
Ph: 219-522-7891
FAX: 219-522-4188

*Seating Systems
and Hardware*



LaGrange Operations

1775 East U.S. 20
LaGrange, IN 46761
Ph: 219-463-2116
FAX: 219-463-4028

Windows and Doors



Salt Lake Operations

1874 Pioneer Road
Salt Lake City, UT 84104
Ph: 801-972-4621
FAX: 801-973-9836

Furnaces and Gas Alarms



Note: In most cases, dimensions are rounded to 1/8". Drawings and dimensions subject to change without notice. For pricing, contact your Distributor or Atwood Sales Representative. All specifications and illustrations are based on the latest information at the time of publication. Atwood assumes no responsibility for any error in type or print reproduction of specifications in this literature. Due to our policy of continuous improvement, Atwood reserves the right to make changes in price, color, materials, equipment and specifications and to discontinue models at any time without notice.



Atwood Mobile Products

4750 Hiawatha Drive • Rockford, IL 61103-1298

PHONE: 815-877-5700 FAX: 815-877-7469

INTERNET: <http://www.atwoodmobile.com>

