

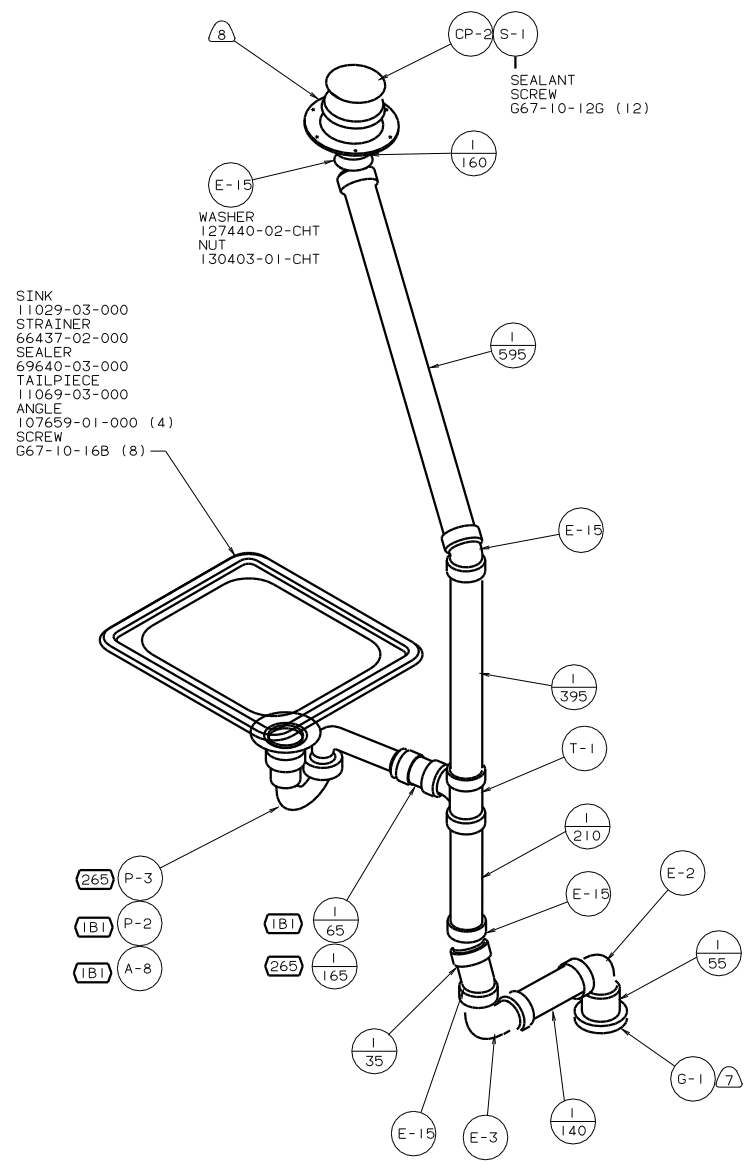
- NOTES:
1. SLOPE OF HORIZONTAL PIPING TO BE 6 PER 305.
 2. SLOPE OF TRAP ARM MUST BE 6 PER 305.
 3. ALL PIPE AND FITTINGS TO BE ASSEMBLED WITH SOLVENT 4020-01-000.
 4. ALL EXTERIOR OPENINGS AROUND PIPE TO BE SEALED WITH 69637-01-000.
 5. EXPOSED PIPE ABOVE ROOF TO BE PAINTED 37163-01-000.
 6. FOR CAN UNITS EACH HOLDING TANK SHALL HAVE A CSA APPROVAL STAMPED NEAR THE IAMPO APPROVAL.

7. SEE DWG 61607-01-000 FOR INSTALLATION OF GROMMET.
8. VENT PIPE MUST PROJECT 51 MIN AND 63.5 MAX ABOVE ROOF FOR PROPER FIT AND FUNCTION.
9. SECURE PIPES TO CABINET USING WIRE TIE 108046-02-000 AND SCREW 667-10-12U (8).
10. PLACE GASKET BETWEEN FLOOR AND BOTTOM OF TANK.

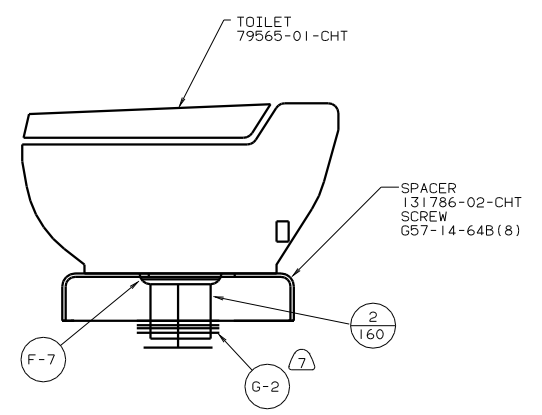
- (265) CODES/STANDARDS-CSA/CMVSS
- (1B1) CODES STANDARDS/USA
- (1A7) SHOWER PACKAGE-WITHOUT
- (140) SHOWER PACKAGE

FOR
DRAINAGE
CALLOUTS
SEE DWG NO.
116229-01-000

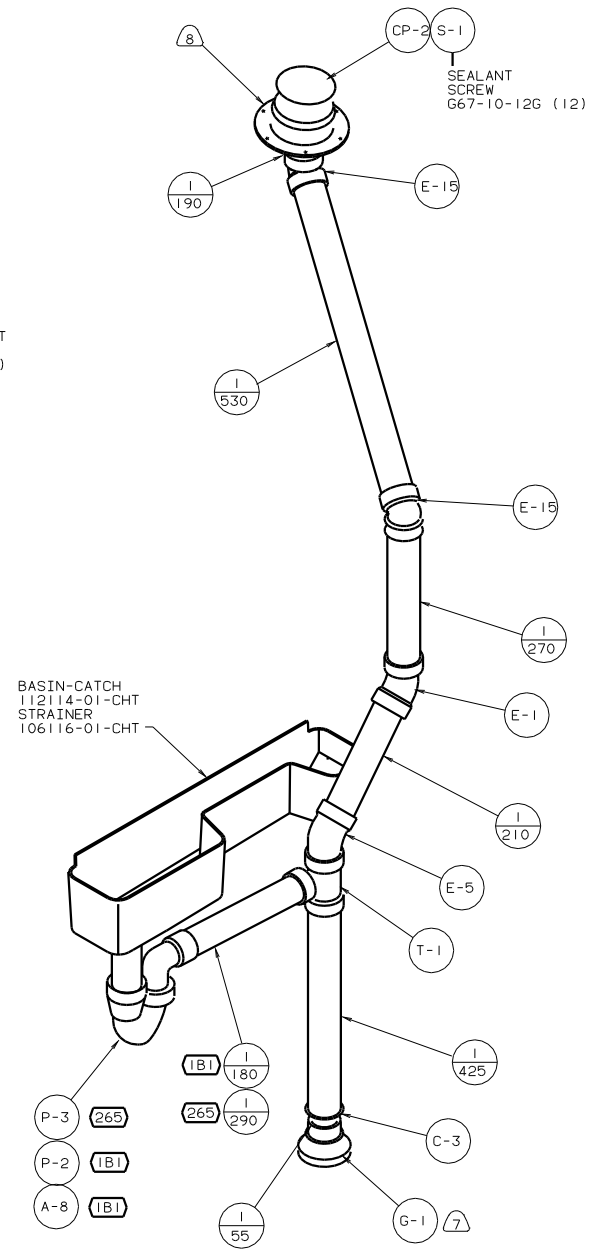
COPYRIGHT 2003 WINNEBAGO INDUSTRIES, INC.		WINNEBAGO		03 222HD
DWTR	DATE	UNSPECIFIED TOLERANCES ARE:	MATERIAL:	
DWR	DATE	WHOLE DIM (X)	+	
P E	DATE	ONE-PLACE (X.X)	+	
M E	DATE	TWO-PLACE (X.XX)	+	
DWR	DATE	ANGLE	+	
	DATE	THIRD ANGLE PROJECTION		
LAYOUT NO	222HD	TITLE	DRAINAGE SYSTEM INSTL	
DIA Ø	SCALE: NONE	DO NOT SCALE DIMENSIONS	SIZE	DWG NO
ALL DIMENSIONS ARE IN MILLIMETERS		SHEET	1 OF 3	141597



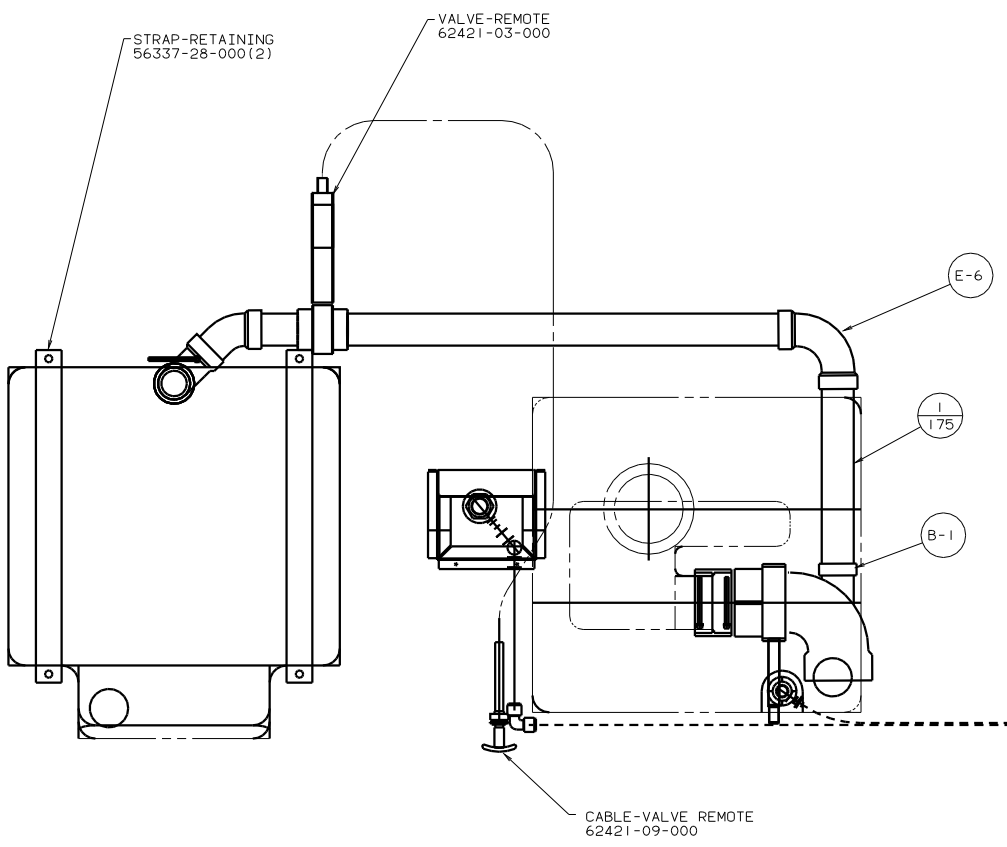
DETAIL A



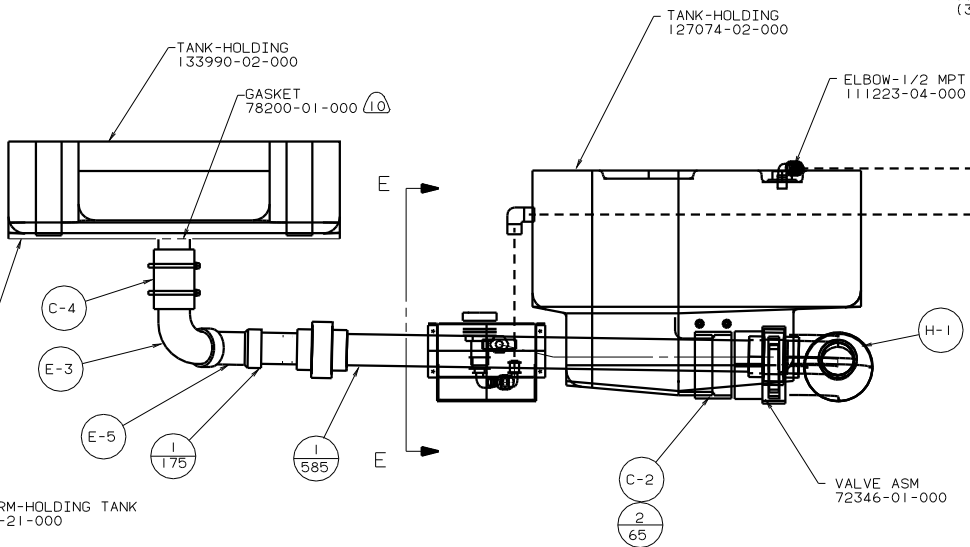
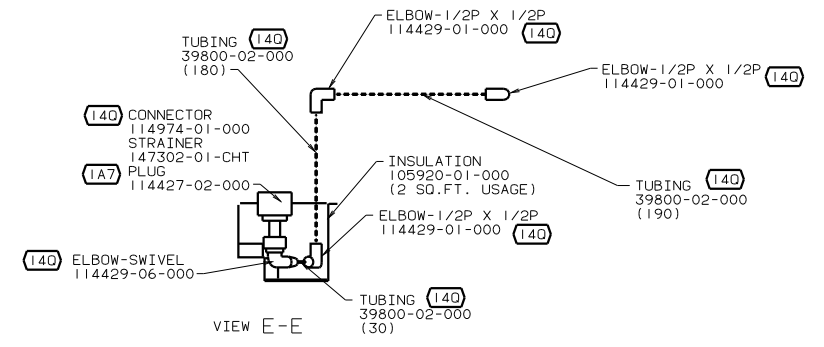
DETAIL B



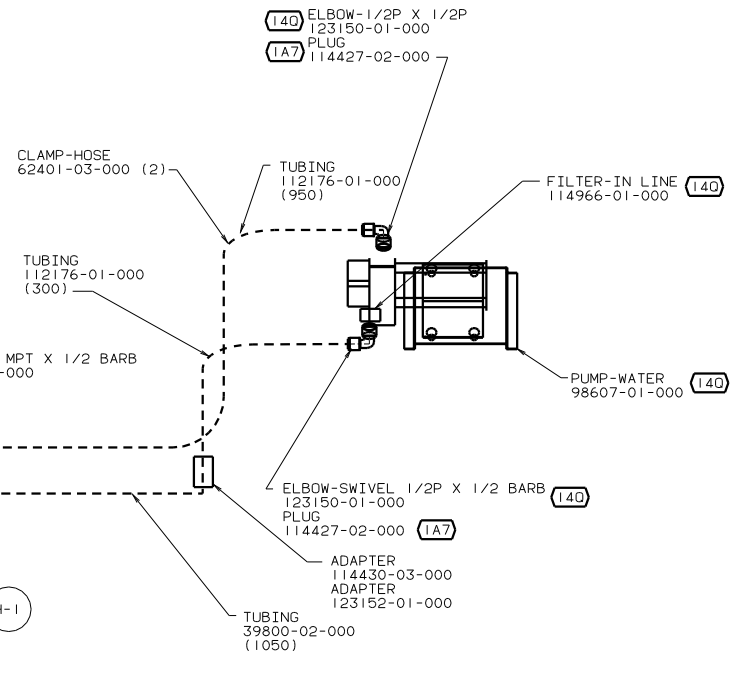
DETAIL C

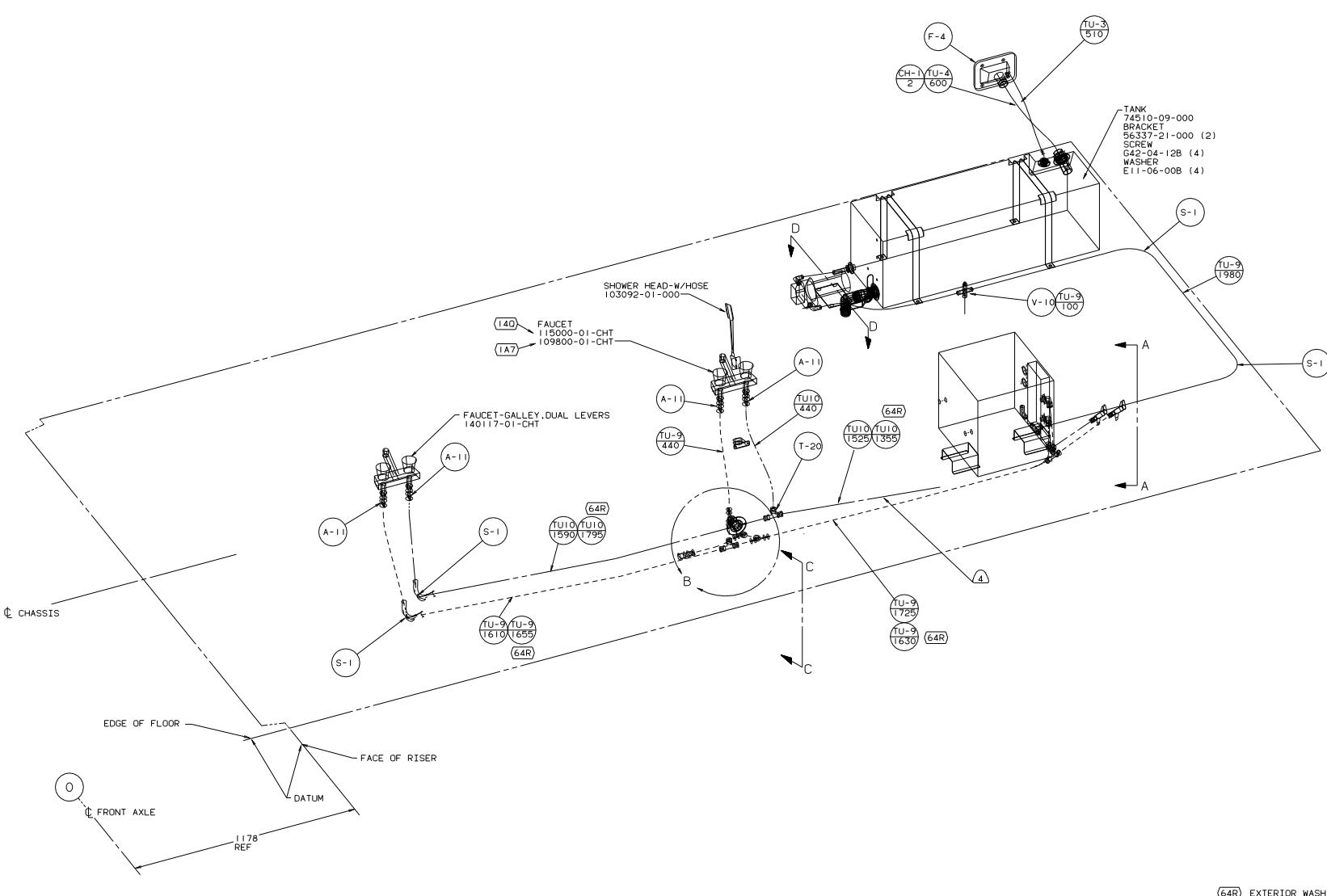


VIEW D-D



VIEW F-F





- 5. TRI MARK "KEY ONE KEY; P/N 138288-01 THRU -10 WATERFILL; P/N 138637-53-000 THRU -009.
- 4. WRAP WATER LINES WITH INSULATION 105290-01-000 ANY PLACE THEY ARE IN CONTACT WITH MOTOR AID LINES. FASTEN WITH WIRE TIES.
- 3. ALL TUBING TO BE SECURED AT 1200 INTERVALS MAXIMUM WITH CLAMP 10495-01-000 OR CLIP 91951-01-000 AND SCREW G67-10-12B.
- 2. TUBING TO BE INSTALLED WITH SUFFICIENT SLOPE TO PROVIDE DRAINAGE TO NEAREST VALVE.
- 1. PLASTIC FITTINGS TO BE SEALED WITH SEALANT 84456-01-000

- (64R) EXTERIOR WASH STATION
- (140) SHOWER PACKAGE
- (1A7) SHOWER PACKAGE-WITHOUT

FOR WATER CALLOUTS SEE DWG NO 116230-01-000

LEGEND

HOT	—————
COLD

WINNERACO 03 222HD

DATE	UNSPECIFIED TOLERANCES ARE:	MATERIAL
DATE	HOLE DIM (X)	F
DATE	ONE-PLACE (X.X)	F
DATE	TWO-PLACE (X.XX)	F
DATE	ANGLE	F
DATE	THIRD ANGLE PREDILECTION	F
DATE		F

LANE# 0C222HD TITLE: WATER SYSTEM INSTL

REF: 133332 J I 141141

DATE: 03/31/04

