

FOR DRAINAGE CALLOUTS SEE DWG NO. 116229-01-000

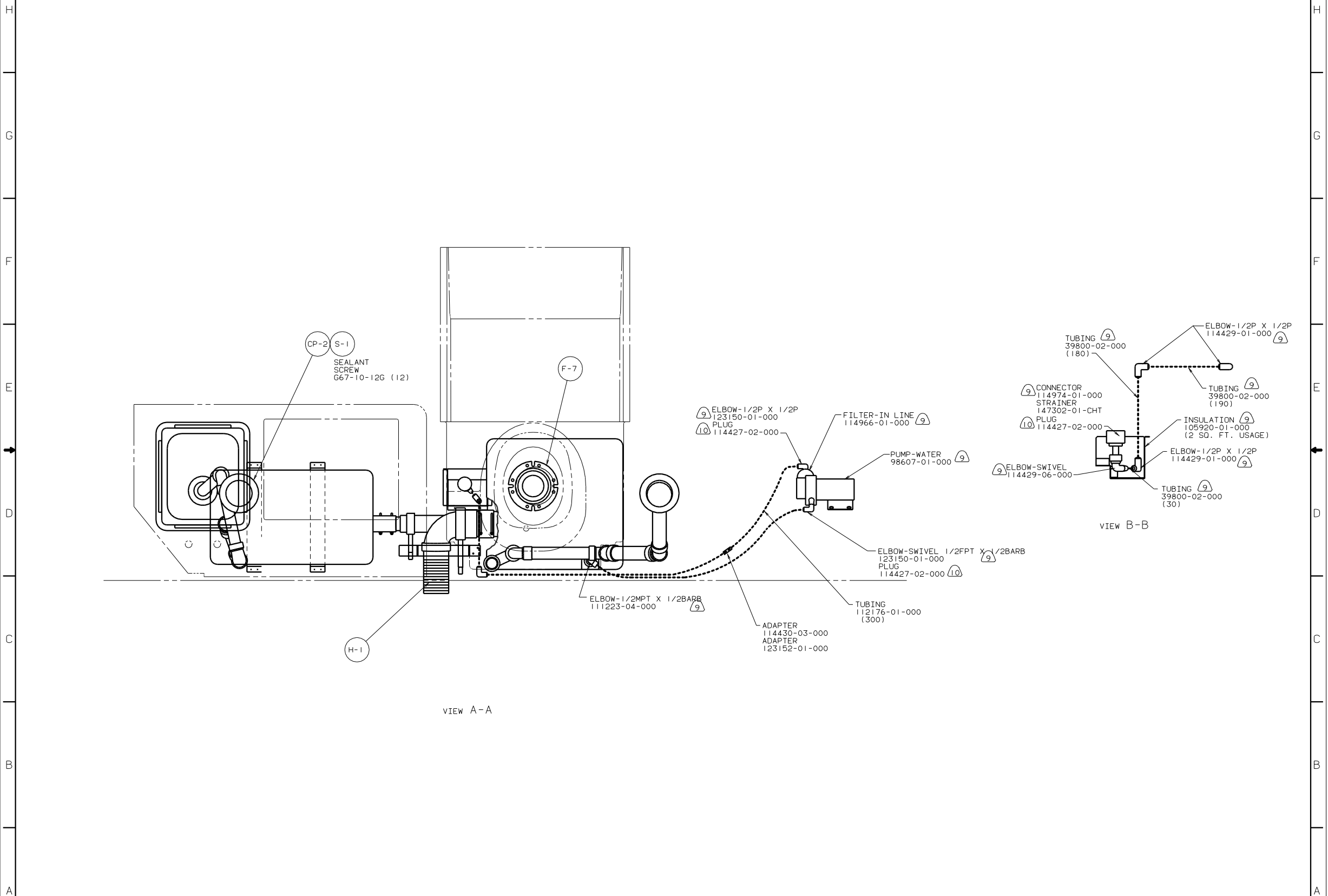
222RC/RT US/CANADIAN  
 181 CODE STANDARDS-USA  
 265 CODE STANDARDS-CSA

- NOTES:
1. SLOPE OF HORIZONTAL PIPING TO BE 6 PER 305.
  2. SLOPE OF TRAP ARM MUST BE 6 PER 305.
  3. ALL PIPE AND FITTINGS TO BE ASSEMBLED WITH SOLVENT 4020-01-000.
  4. ALL EXTERIOR OPENINGS AROUND PIPE TO BE SEALED WITH 69637-01-000.
  5. EXPOSED PIPE ABOVE ROOF TO BE PAINTED 37163-01-000.

6. FOR CANADIAN UNITS EACH HOLDING TANK SHALL HAVE A CSA APPROVAL STAMPED NEAR THE IAMPO APPROVAL.
7. SEE DWG 61607-01-000 FOR INSTALLATION OF GROMMET.
8. VENT PIPE MUST PROJECT 51 MM MIN AND 63.5 MM MAX ABOVE ROOF FOR PROPER FIT AND FUNCTION.
9. 140 SHOWER PACKAGE.
10. 1A7 SHOWER PACKAGE WITHOUT.

11. USE SCRAP CLOSED CELL NEOPRENE FROM 77075-01.-02 OR -03 ON BRACKETS FOR VIBRATION DAMPENING.
12. NOT USED ON CANADIAN UNIT.
13. SECURE PIPES TO CABINET USING WIRE TIE 108046-02-000 AND SCREW G67-10-12U (8).

COPYRIGHT 2003 WINNEBAGO INDUSTRIES, INC.		WINNEBAGO		03 222 FD	
LAYOUT NO	DATE	UNSPECIFIED TOLERANCES ARE:	MATERIAL:		
221R16		WHOLE DIM (+/-)	+		
DIA Ø	SCALE: NONE	ONE-PLACE (+, XX)	+		
		TWO-PLACE (+, XX)	+		
		THIRD ANGLE PROJECTION			
SHEET 1 OF 2		DRAWING NO. 141596			



CP-2 S-1  
SEALANT  
SCREW  
G67-10-12G (12)

F-7

H-1

ELBOW-1/2P X 1/2P  
123150-01-000  
PLUG  
114427-02-000

FILTER-IN LINE  
114966-01-000

PUMP-WATER  
98607-01-000

ELBOW-SWIVEL 1/2FPT X 1/2BARB  
123150-01-000  
PLUG  
114427-02-000

TUBING  
112176-01-000  
(300)

ADAPTER  
114430-03-000  
ADAPTER  
123152-01-000

ELBOW-1/2MPT X 1/2BARB  
111223-04-000

TUBING  
39800-02-000  
(180)

CONNECTOR  
114974-01-000  
STRAINER  
147302-01-CHT  
PLUG  
114427-02-000

ELBOW-SWIVEL  
114429-06-000

ELBOW-1/2P X 1/2P  
114429-01-000

TUBING  
39800-02-000  
(190)

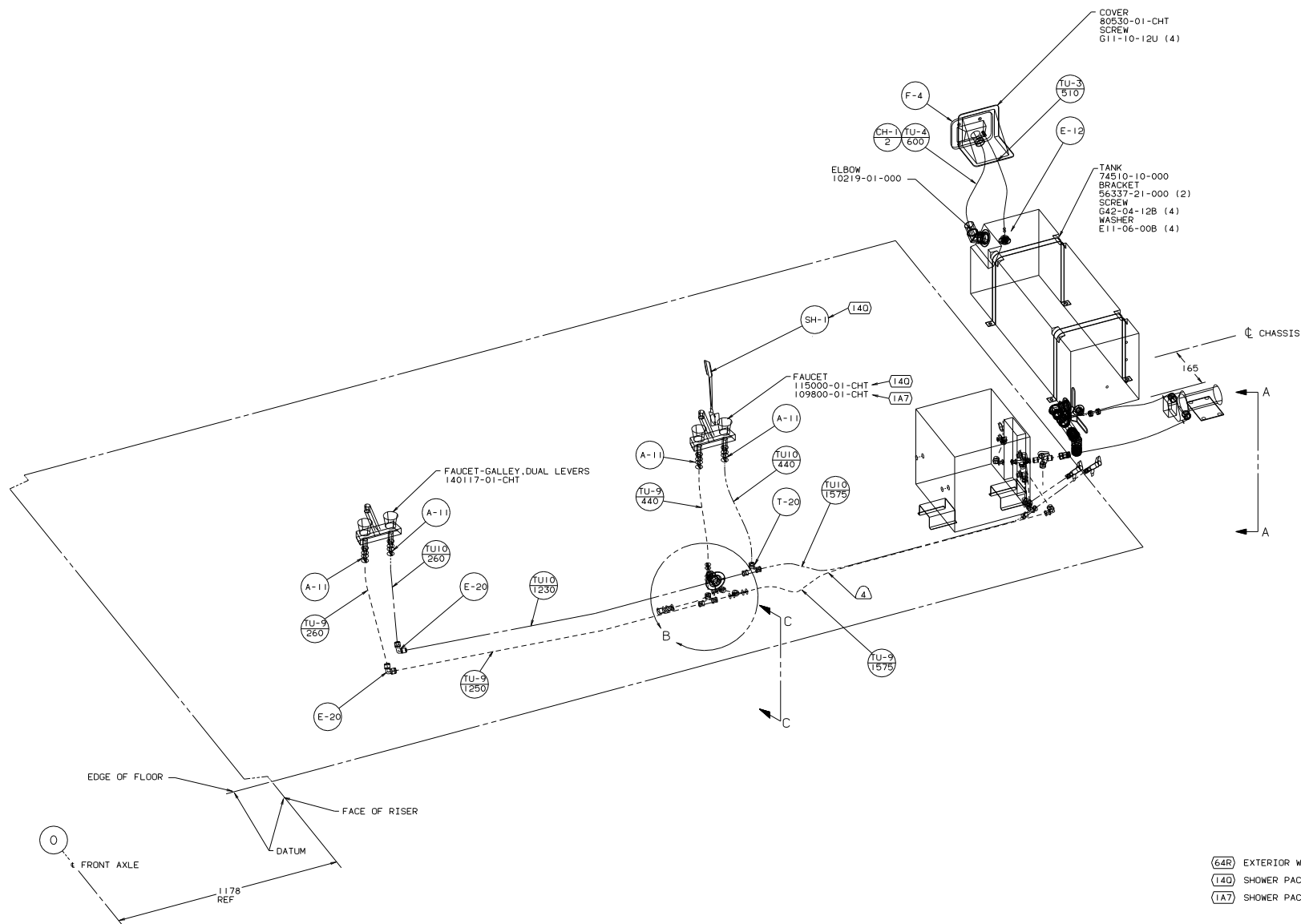
INSULATION  
105920-01-000  
(2 SQ. FT. USAGE)

ELBOW-1/2P X 1/2P  
114429-01-000

TUBING  
39800-02-000  
(30)

VIEW A-A

VIEW B-B



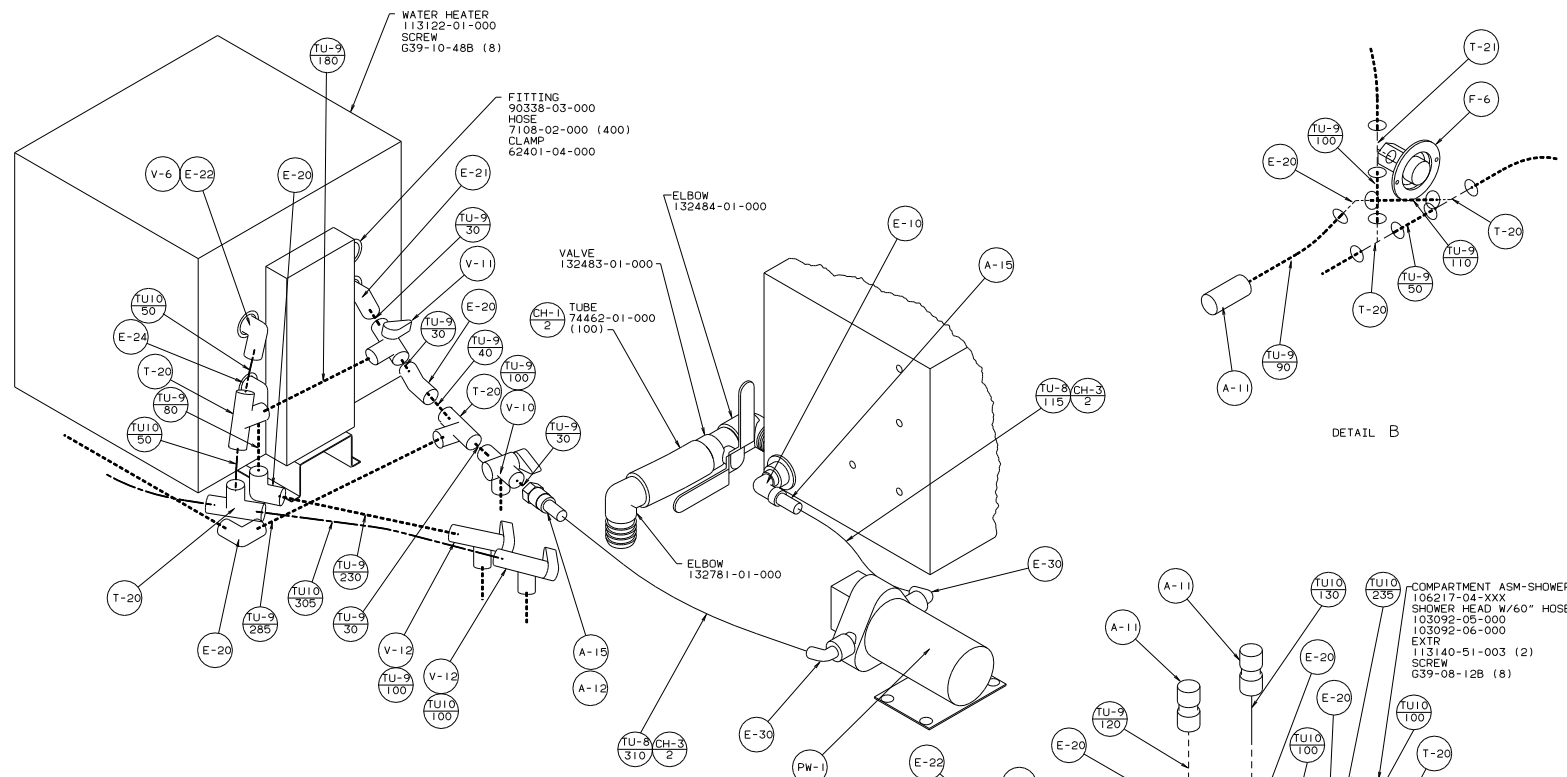
5. TRI MARK "KEY ONE"  
 KEY: P/N 130288-01 THRU -10  
 WATER FILL: P/N 13837-53-000 THRU -009.
4. WRAP WATER LINES WITH INSULATION 105290-01-000 ANY PLACE THEY ARE IN CONTACT WITH MONITOR AID LINES. FASTEN WITH WIRE TIES.
3. ALL TUBING TO BE SECURED AT 1200 INTERVALS MAXIMUM WITH CLAMP 10495-01-000 OR CLIP 91951-01-000 AND SCREW G67-10-12B.
2. TUBING TO BE INSTALLED WITH SUFFICIENT SLOPE TO PROVIDE DRAINAGE TO NEAREST VALVE.
1. PLASTIC FITTINGS TO BE SEALED WITH SEALANT 84456-01-000

- (64R) EXTERIOR WASH STATION
- (140) SHOWER PACKAGE
- (1A7) SHOWER PACKAGE-WITHOUT

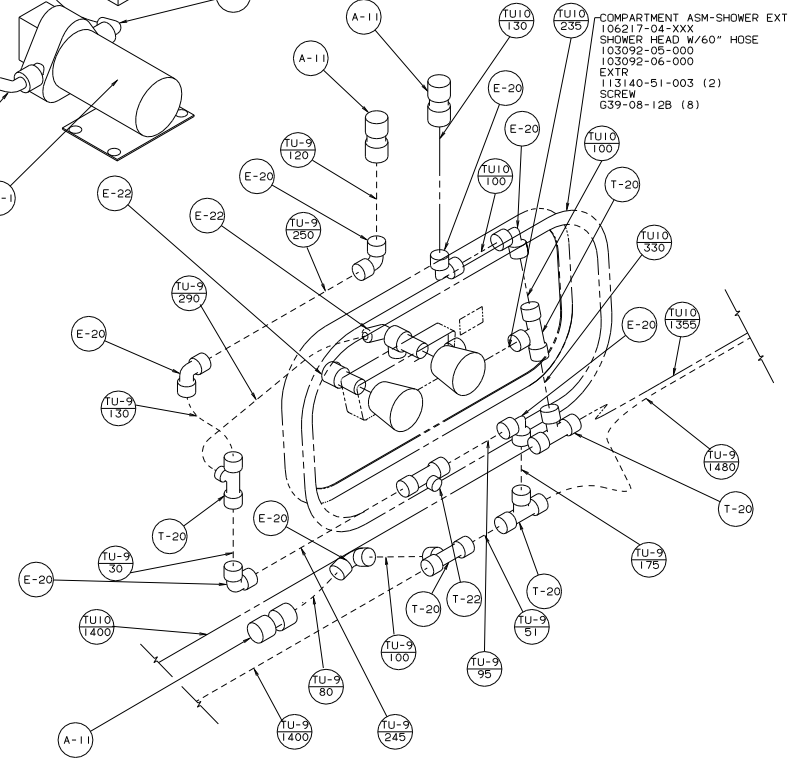
FOR CALLOUTS SEE DWG NO. 116230-01-000

LEGEND	
HOT	—————
COLD	.....

WINNERAGO 03 222FD			
OPTR	DATE	UNSPECIFIED TOLERANCES ARE:	MATERIAL
CHRP	DATE	WHOLE DIM (IN)	F
F/E	DATE	ONE-PLACE (IN.XI)	.
D/E	DATE	TWO-PLACE (IN.XXX)	.
CDR	DATE	THIRD-PLACE PRODUCTION	⊕
LANTR NO.	0C222FD	TITLE:	WATER SYSTEM INSTL
DIA #	SCALE: NONE	DO NOT SCALE DRAWING	SIZE: 11E
ALL DIMENSIONS ARE IN MILLIMETERS	SHEET 1 OF 2	NO	141142



VIEW A-A



VIEW C-C (64R)  
WITH EXTERIOR SHOWER