

NOTES:

5. EXPOSED PIPE ABOVE ROOF TO BE PAINTED 37163-01-000.
4. ALL EXTERIOR OPENINGS AROUND PIPE TO BE SEALED WITH 69637-01-000.
3. ALL PIPE AND FITTINGS TO BE ASSEMBLED WITH SOLVENT 4020-01-000.
2. SLOPE OF TRAP ARM MUST BE 6 PER 305.
1. SLOPE OF HORIZONTAL PIPING TO BE 6 PER 305 MIN.
9. USE SCRAP CLOSED CELL NEOPRENE FROM 77075-01,-02 OR -03 ON HAT CHANNELS FOR VIBRATION DAMPENING.
8. VENT PIPE MUST PROJECT 51 MIN AND 63.5 MAX ABOVE ROOF FOR PROPER FIT AND FUNCTION.
7. SEE DWG 61607-01-000 FOR INSTALLATION OF GROMMET.
6. FOR CAN UNITS EACH HOLDING TANK SHALL HAVE A CSA APPROVAL STAMPED NEAR THE IAMPO APPROVAL.
10. SECURE PIPES TO CABINET USING WIRE TIE 108046-02-000 AND SCREW G67-10-12U (8).

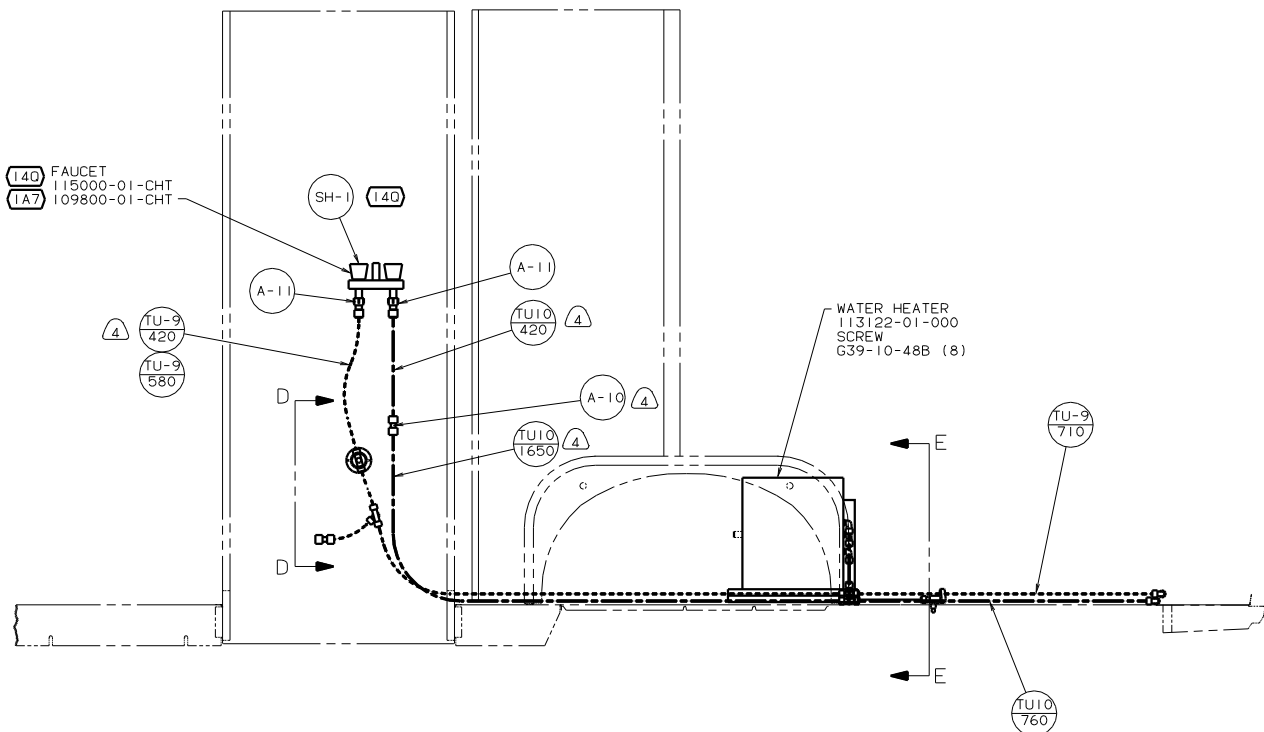
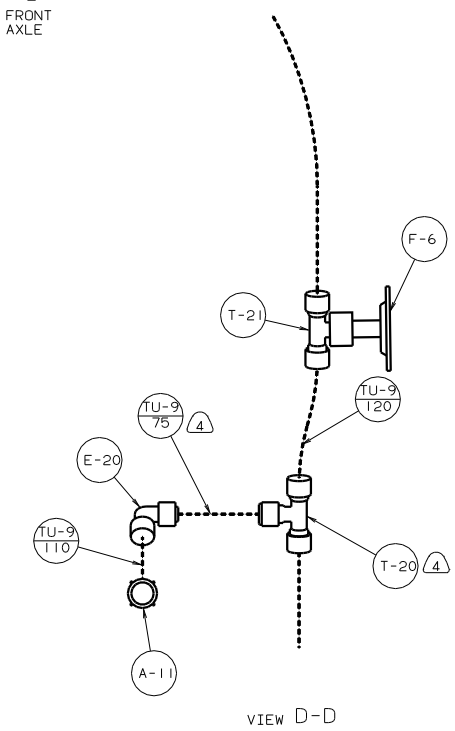
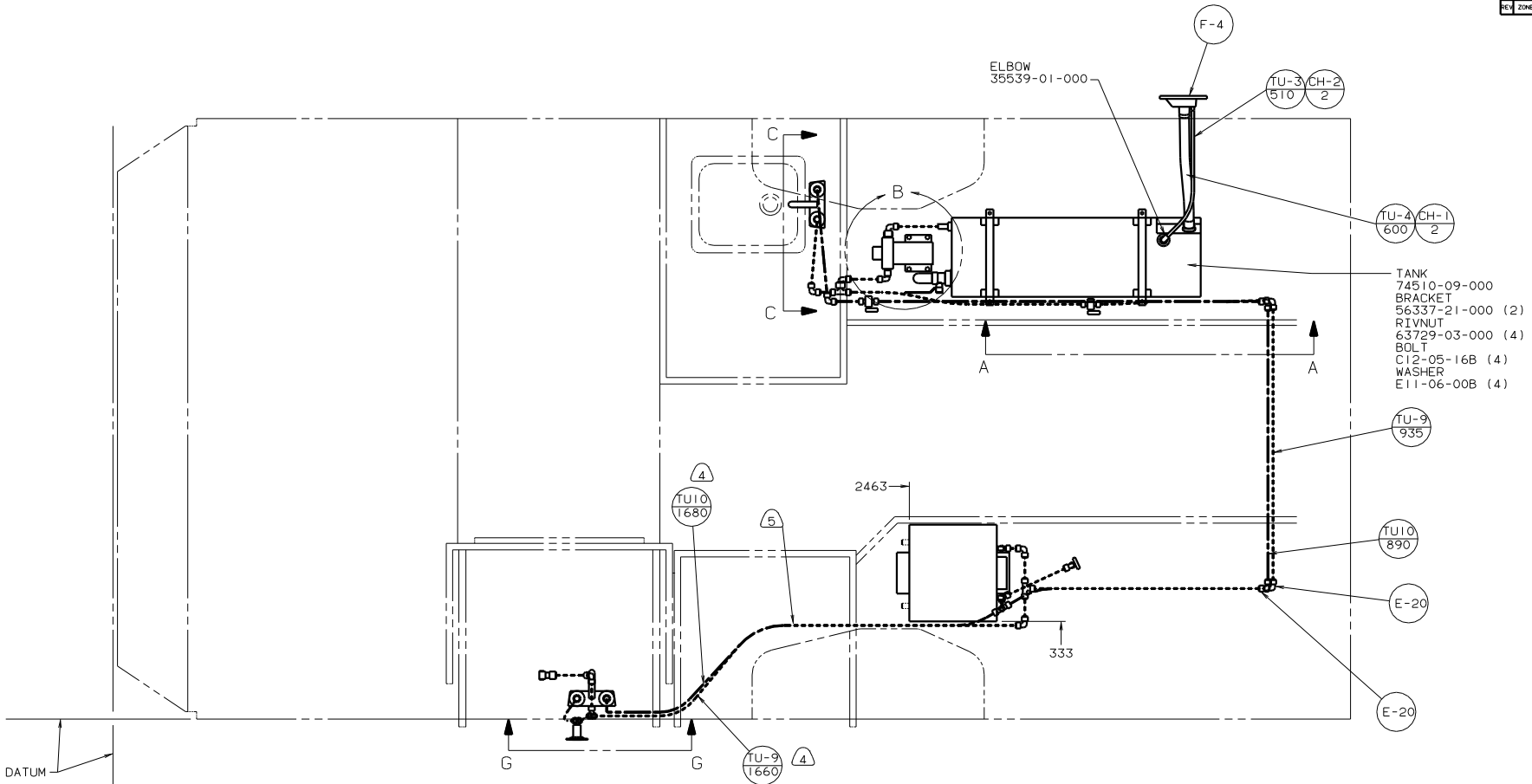
FOR DRAINAGE CALLOUTS SEE DWG NO. 116229-01-000

222 RD US/CANADIAN

(265) CODES/STANDARDS-CSA/CMVSS
 (1B1) CODES STANDARDS/USA
 (1A7) SHOWER PACKAGE-WITHOUT
 (140) SHOWER PACKAGE

COPYRIGHT 2003 WINNEBAGO INDUSTRIES, INC. WINNEBAGO 03 22200	
DWTR	DATE UNINSPECTED TOLERANCES ARE: MATERIAL:
CHWR	DATE WHOLE DIM (XX) ± .3
PE	DATE ONE-PLACE (X,XX) ± .1
ME	DATE TWO-PLACE (X,XX) ± .05
DNPR	DATE ANGLE ± .1
	DATE THIRD ANGLE PROJECTION
LAYOUT NO 2006EN	TITLE: DRAINAGE SYSTEM INSTL
DIA Ø SCALE: NONE	DO NOT SCALE DIMENSIONS SIZE DWG NO 141598
ALL DIMENSIONS ARE IN MILLIMETERS SHEET 1 OF 1	

REF: 131308 G | 08/11/03



- NOTES:
- 1. PLASTIC FITTINGS TO BE SEALED WITH SEALANT 84456-01-000.
 - 2. TUBING TO BE INSTALLED WITH SUFFICIENT SLOPE TO PROVIDE DRAINAGE TO NEAREST VALVE.
 - 3. ALL TUBING TO BE SECURED AT 1200 INTERVALS MAXIMUM WITH CLAMP 10495-01-000 OR CLIP 91951-01-000 AND SCREW G67-10-12B.

- 4. NOT REQUIRED WITH EXTERIOR SHOWER.
- 5. WRAP WATER LINES WITH INSULATION 105290-01-000 ANY PLACE THEY ARE IN CONTACT WITH MOTOR AID LINES. FASTEN WITH WIRE TIES.
- 6. TRIMARK "KEY ONE" KEY: P/N 138288-01 THRU -10 WATER FILL: P/N 138637-53-000 THRU -009.

FOR WATER CALLOUTS SEE DWG NO. 116230-01-000

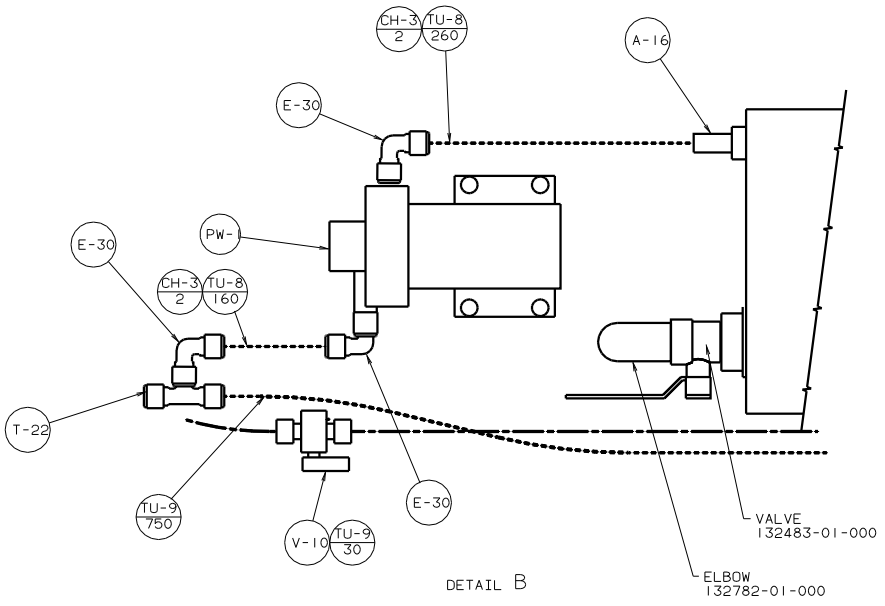
LEGEND	
HOT	---
COLD	-----

- (64R) EXTERIOR WASH STATION
- (1A7) SHOWER PACKAGE-WITHOUT
- (140) SHOWER PACKAGE

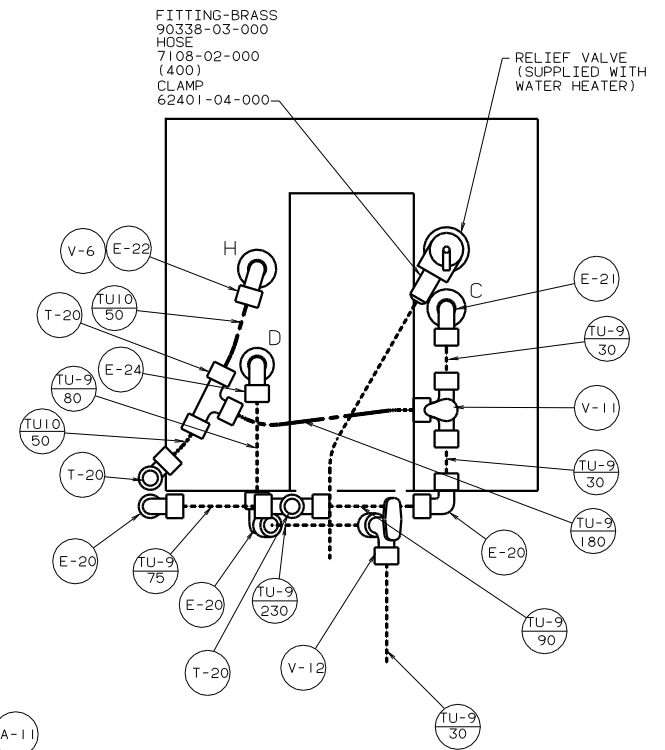
COPYRIGHT 2003 WINNEBAGO INDUSTRIES, INC. **WINNEBAGO** 03 2220D

DATE	UNSPECIFIED TOLERANCES ARE:	MATERIAL:
DATE	WHOLE DIM (XX) ± .7	
DATE	ONE-PLACE (X.X) ± .1	
DATE	TWO-PLACE (X.XX) ± .05	
DATE	ANGLE ± .5	
DATE	THIRD ANGLE PROJECTION	

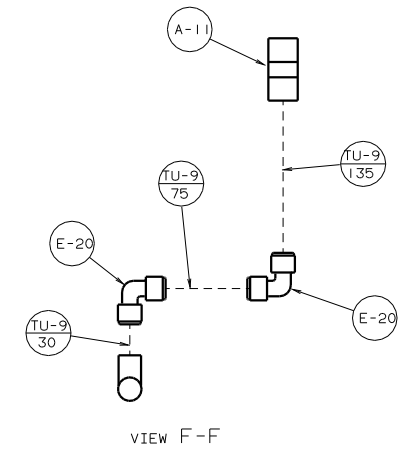
LAYOUT NO. 2220D TITLE: WATER SYSTEM INSTL
 DIA # SCALE: NONE DO NOT SCALE DIMENSIONS SHEET 1 OF 2 DWG NO. 141140
 ALL DIMENSIONS ARE IN MILLIMETERS REF: 133334 1 08/11/03



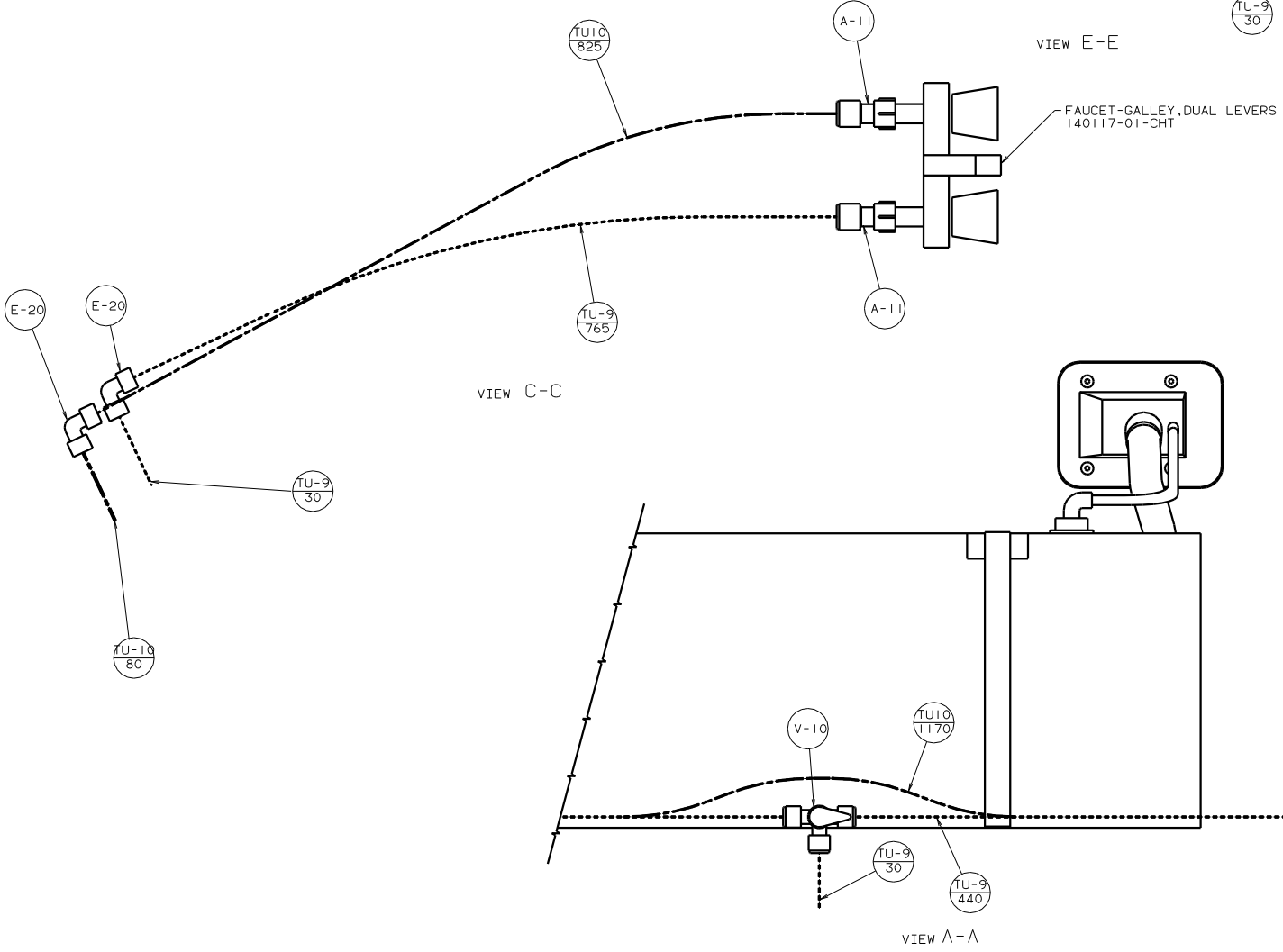
DETAIL B



VIEW E-E

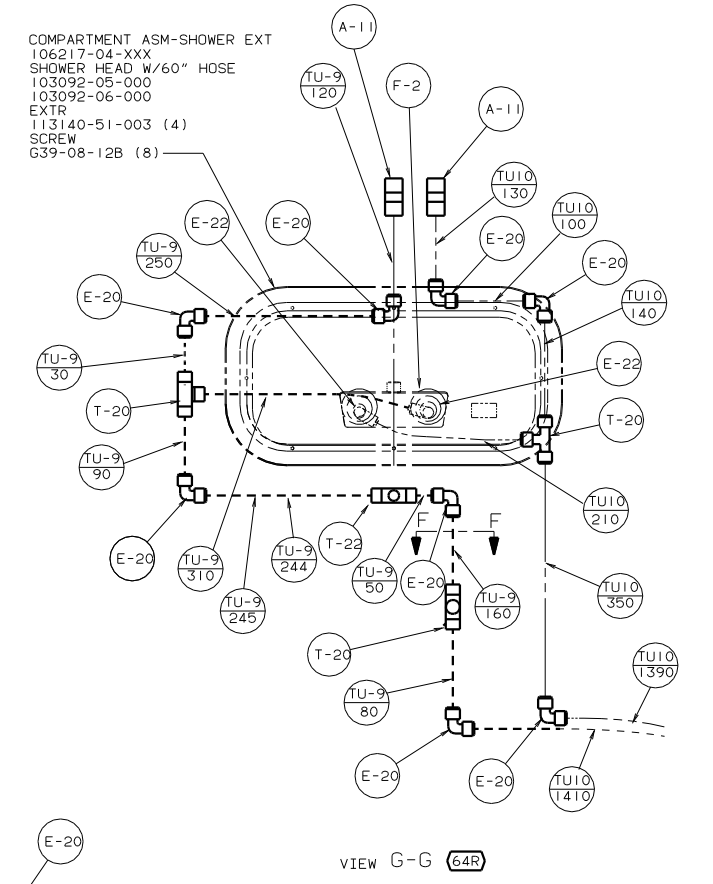


VIEW F-F



VIEW C-C

VIEW A-A



VIEW G-G (64R)

03 222QD

TITLE: WATER SYSTEM INSTL	
DO NOT SCALE DRAWING	SIZE DWG NO 141140
SHEET 2 OF 2	DATE 08/11/03