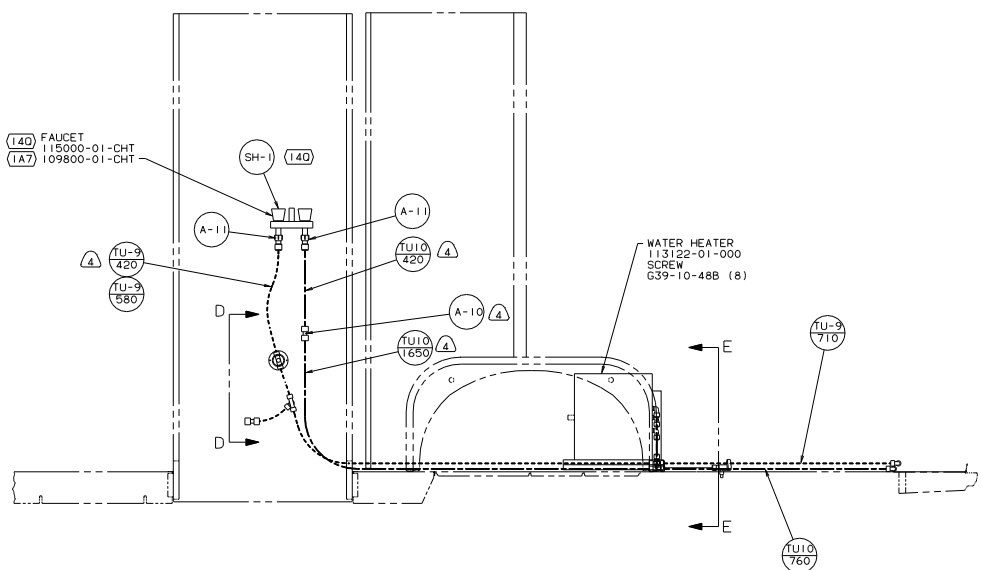


VIEW D-D



- NOTES:
1. PLASTIC FITTINGS TO BE SEALED WITH SEALANT 84456-01-000.
 2. TUBING TO BE INSTALLED WITH SUFFICIENT SLOPE TO PROVIDE DRAINAGE TO NEAREST VALVE.
 3. ALL TUBING TO BE SECURED AT 1200 INTERVALS MAXIMUM WITH CLAMP 10495-01-000 OR CLIP 91951-01-000 AND SCREW G67-10-12B.

(A) NOT REQUIRED WITH EXTERIOR SHOWER.

- (64R) EXTERIOR WASH STATION
- (1A7) SHOWER PACKAGE-WITHOUT
- (140) SHOWER PACKAGE

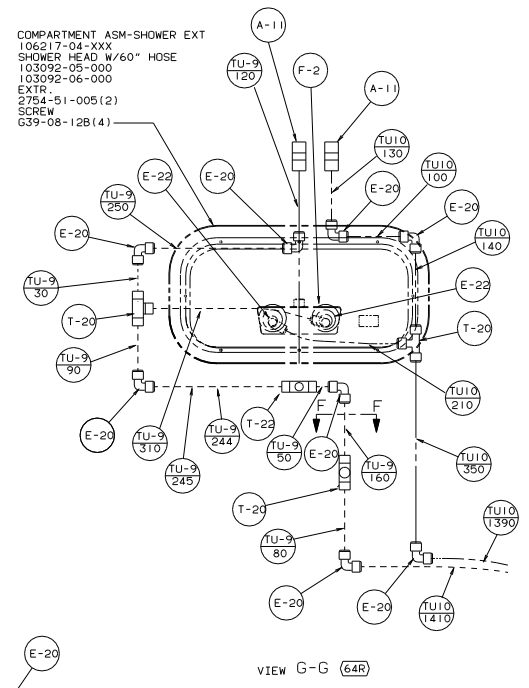
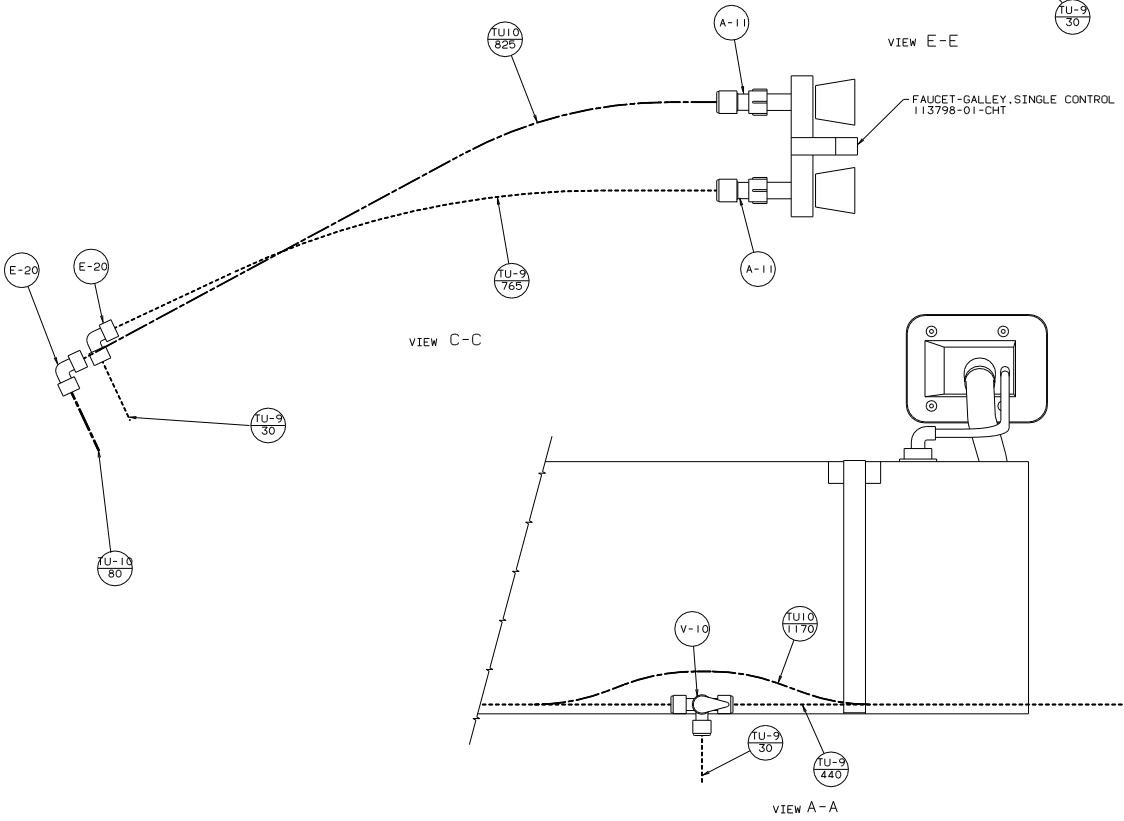
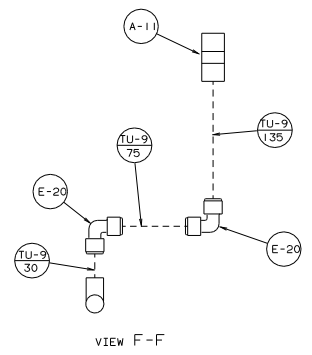
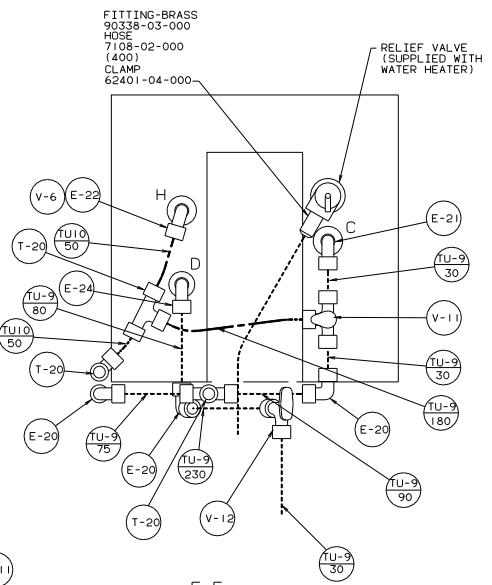
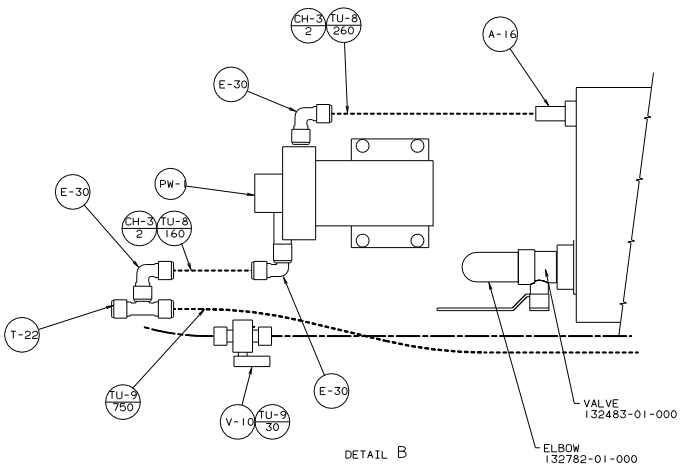
(X-X) FOR WATER CALLOUTS SEE DWG NO. 116230-01-000

LEGEND	
HOT	—————
COLD	- - - - -

WINNERAGO INDUSTRIES, INC. 00 22200

DATE	UNSPECIFIED TOLERANCES ARE:	MATERIAL
DATE	WHOLE DIM (IN)	F
DATE	ONE-PLACE (IN.XI)	.
DATE	TWO-PLACE (IN.XX)	.
DATE	THREE-PLACE (IN.XXX)	.
DATE	THREE-PLACE (IN.XXX)	.
DATE	THREE-PLACE (IN.XXX)	.

LANE# 22200 TITLE: WATER SYSTEM INSTL
 DIA # SCALE: NONE 3D NET SCALE DRAWING: 1:1
 ALL DIMENSIONS ARE IN MILLIMETERS SHEET 1 OF 2 133334



VIEW A-A