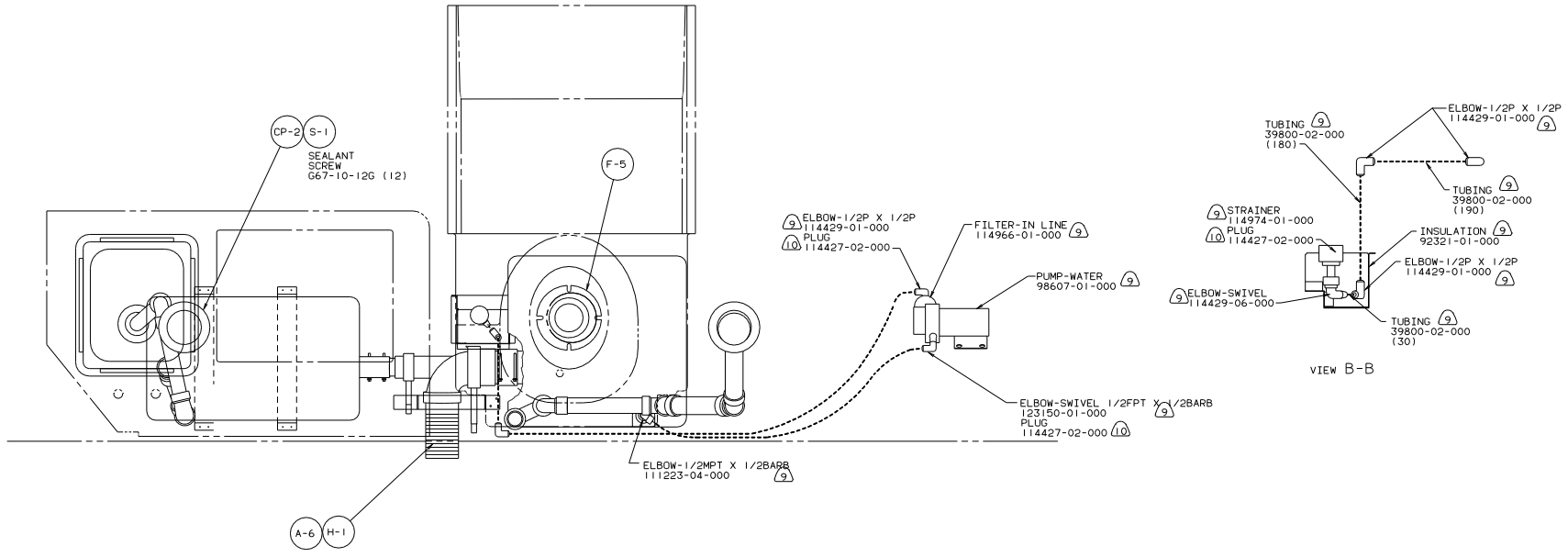


5. EXPOSED PIPE ABOVE ROOF TO BE PAINTED 37163-01-000.
4. ALL EXTERIOR OPENINGS AROUND PIPE TO BE SEALED WITH 69637-01-000.
3. ALL PIPE AND FITTINGS TO BE ASSEMBLED WITH SOLVENT 4020-01-000.
2. SLOPE OF TRAP ARM MUST BE 6 PER 305.
1. SLOPE OF HORIZONTAL PIPING TO BE 6 PER 305 MIN.
10. 1A7 SHOWER PACKAGE WITHOUT.
9. 1A0 SHOWER PACKAGE.
8. VENT PIPE MUST PROJECT 51 MM MIN AND 63.5 MM MAX ABOVE ROOF FOR PROPER FIT AND FUNCTION.
7. SEE DWG 61607-01-000 FOR INSTALLATION OF GROMMET.
6. FOR CANADIAN UNITS EACH HOLDING TANK SHALL HAVE A CSA APPROVAL STAMPED NEAR THE TAMPO APPROVAL.
13. SECURE PIPES TO CABINET USING WIRE TIE 108046-02-000 AND SCREW G67-10-12U (8).
12. NOT USED ON CANADIAN UNIT.
11. USE SCRAP CLOSED CELL NEOPRENE FROM 77075-01-02 OR -03 ON BRACKETS FOR VIBRATION DAMPENING.

FOR DRAINAGE CALLOUTS SEE DWG NO. 116229-01-000

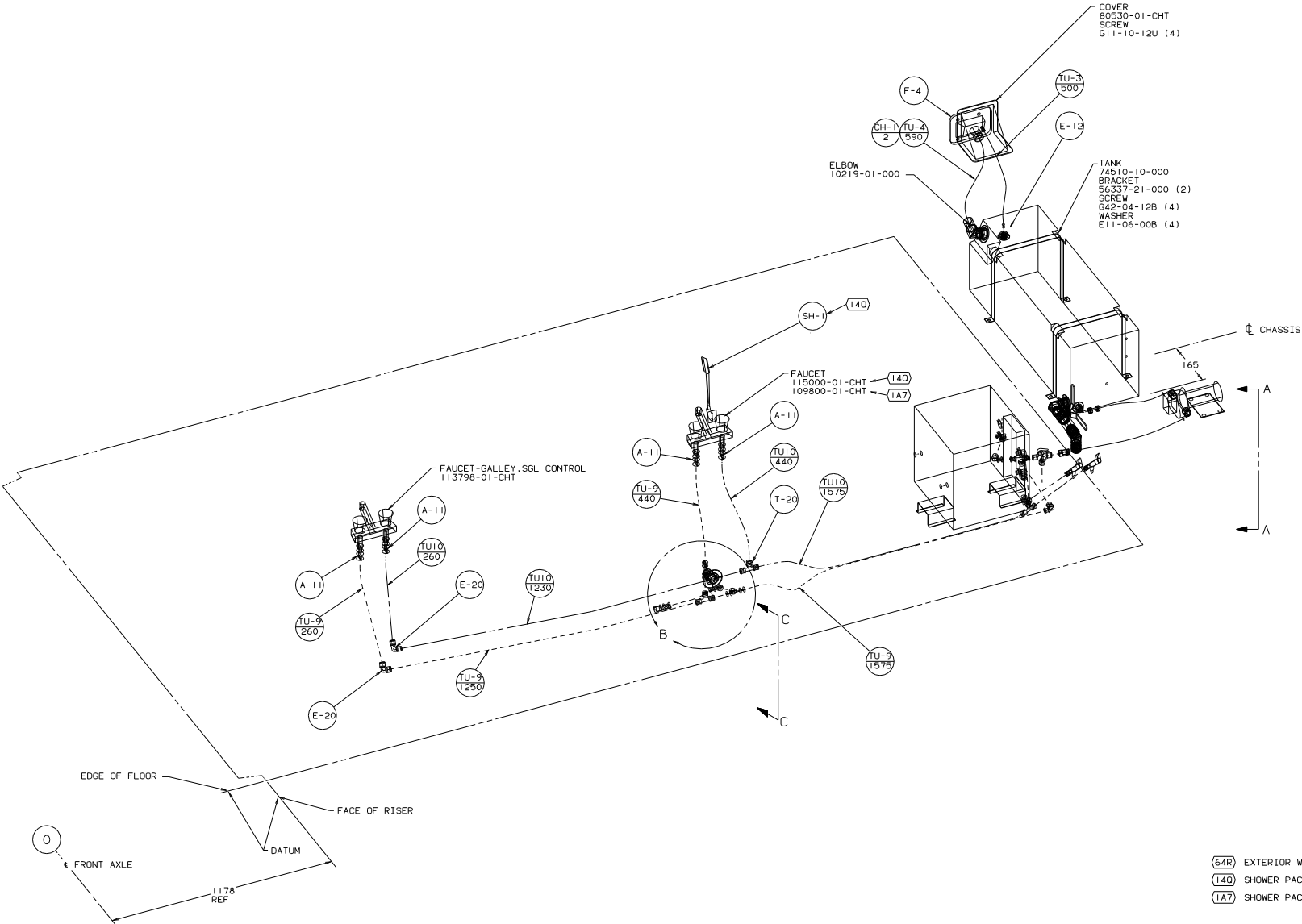
222CR/RT US/CANADIAN
 181 CODE STANDARDS-USA
 265 CODE STANDARDS-CSA

LAWRENCE 2221R16		TITLE: DRAINAGE SYSTEM INSTL	
DATE	DATE	UNSPECIFIED TOLERANCES ARE:	MATERIAL:
DATE	DATE	WHOLE DIM (IN)	FR
DATE	DATE	ONE-PLACE (IN.XI)	FR
DATE	DATE	TWO-PLACE (IN.XXX)	FR
DATE	DATE	THREE-PLACE (IN.XXXX)	FR
DATE	DATE	FOUR-PLACE (IN.XXXX)	FR
DATE	DATE	FIVE-PLACE (IN.XXXX)	FR
DATE	DATE	SIX-PLACE (IN.XXXX)	FR
DATE	DATE	SEVEN-PLACE (IN.XXXX)	FR
DATE	DATE	EIGHT-PLACE (IN.XXXX)	FR
DATE	DATE	NINE-PLACE (IN.XXXX)	FR
DATE	DATE	TEN-PLACE (IN.XXXX)	FR
DATE	DATE	ELEVEN-PLACE (IN.XXXX)	FR
DATE	DATE	TWELVE-PLACE (IN.XXXX)	FR
DATE	DATE	THIRTEEN-PLACE (IN.XXXX)	FR
DATE	DATE	FOURTEEN-PLACE (IN.XXXX)	FR
DATE	DATE	FIFTEEN-PLACE (IN.XXXX)	FR
DATE	DATE	SIXTEEN-PLACE (IN.XXXX)	FR
DATE	DATE	SEVENTEEN-PLACE (IN.XXXX)	FR
DATE	DATE	EIGHTEEN-PLACE (IN.XXXX)	FR
DATE	DATE	NINETEEN-PLACE (IN.XXXX)	FR
DATE	DATE	TWENTY-PLACE (IN.XXXX)	FR
DATE	DATE	TWENTY-ONE PLACE (IN.XXXX)	FR
DATE	DATE	TWENTY-TWO PLACE (IN.XXXX)	FR
DATE	DATE	TWENTY-THREE PLACE (IN.XXXX)	FR
DATE	DATE	TWENTY-FOUR PLACE (IN.XXXX)	FR
DATE	DATE	TWENTY-FIVE PLACE (IN.XXXX)	FR
DATE	DATE	TWENTY-SIX PLACE (IN.XXXX)	FR
DATE	DATE	TWENTY-SEVEN PLACE (IN.XXXX)	FR
DATE	DATE	TWENTY-EIGHT PLACE (IN.XXXX)	FR
DATE	DATE	TWENTY-NINE PLACE (IN.XXXX)	FR
DATE	DATE	THIRTY PLACE (IN.XXXX)	FR
DATE	DATE	THIRTY-ONE PLACE (IN.XXXX)	FR
DATE	DATE	THIRTY-TWO PLACE (IN.XXXX)	FR
DATE	DATE	THIRTY-THREE PLACE (IN.XXXX)	FR
DATE	DATE	THIRTY-FOUR PLACE (IN.XXXX)	FR
DATE	DATE	THIRTY-FIVE PLACE (IN.XXXX)	FR
DATE	DATE	THIRTY-SIX PLACE (IN.XXXX)	FR
DATE	DATE	THIRTY-SEVEN PLACE (IN.XXXX)	FR
DATE	DATE	THIRTY-EIGHT PLACE (IN.XXXX)	FR
DATE	DATE	THIRTY-NINE PLACE (IN.XXXX)	FR
DATE	DATE	FOURTY PLACE (IN.XXXX)	FR
DATE	DATE	FOURTY-ONE PLACE (IN.XXXX)	FR
DATE	DATE	FOURTY-TWO PLACE (IN.XXXX)	FR
DATE	DATE	FOURTY-THREE PLACE (IN.XXXX)	FR
DATE	DATE	FOURTY-FOUR PLACE (IN.XXXX)	FR
DATE	DATE	FOURTY-FIVE PLACE (IN.XXXX)	FR
DATE	DATE	FOURTY-SIX PLACE (IN.XXXX)	FR
DATE	DATE	FOURTY-SEVEN PLACE (IN.XXXX)	FR
DATE	DATE	FOURTY-EIGHT PLACE (IN.XXXX)	FR
DATE	DATE	FOURTY-NINE PLACE (IN.XXXX)	FR
DATE	DATE	FIFTY PLACE (IN.XXXX)	FR
DATE	DATE	FIFTY-ONE PLACE (IN.XXXX)	FR
DATE	DATE	FIFTY-TWO PLACE (IN.XXXX)	FR
DATE	DATE	FIFTY-THREE PLACE (IN.XXXX)	FR
DATE	DATE	FIFTY-FOUR PLACE (IN.XXXX)	FR
DATE	DATE	FIFTY-FIVE PLACE (IN.XXXX)	FR
DATE	DATE	FIFTY-SIX PLACE (IN.XXXX)	FR
DATE	DATE	FIFTY-SEVEN PLACE (IN.XXXX)	FR
DATE	DATE	FIFTY-EIGHT PLACE (IN.XXXX)	FR
DATE	DATE	FIFTY-NINE PLACE (IN.XXXX)	FR
DATE	DATE	SIXTY PLACE (IN.XXXX)	FR
DATE	DATE	SIXTY-ONE PLACE (IN.XXXX)	FR
DATE	DATE	SIXTY-TWO PLACE (IN.XXXX)	FR
DATE	DATE	SIXTY-THREE PLACE (IN.XXXX)	FR
DATE	DATE	SIXTY-FOUR PLACE (IN.XXXX)	FR
DATE	DATE	SIXTY-FIVE PLACE (IN.XXXX)	FR
DATE	DATE	SIXTY-SIX PLACE (IN.XXXX)	FR
DATE	DATE	SIXTY-SEVEN PLACE (IN.XXXX)	FR
DATE	DATE	SIXTY-EIGHT PLACE (IN.XXXX)	FR
DATE	DATE	SIXTY-NINE PLACE (IN.XXXX)	FR
DATE	DATE	SEVENTY PLACE (IN.XXXX)	FR
DATE	DATE	SEVENTY-ONE PLACE (IN.XXXX)	FR
DATE	DATE	SEVENTY-TWO PLACE (IN.XXXX)	FR
DATE	DATE	SEVENTY-THREE PLACE (IN.XXXX)	FR
DATE	DATE	SEVENTY-FOUR PLACE (IN.XXXX)	FR
DATE	DATE	SEVENTY-FIVE PLACE (IN.XXXX)	FR
DATE	DATE	SEVENTY-SIX PLACE (IN.XXXX)	FR
DATE	DATE	SEVENTY-SEVEN PLACE (IN.XXXX)	FR
DATE	DATE	SEVENTY-EIGHT PLACE (IN.XXXX)	FR
DATE	DATE	SEVENTY-NINE PLACE (IN.XXXX)	FR
DATE	DATE	EIGHTY PLACE (IN.XXXX)	FR
DATE	DATE	EIGHTY-ONE PLACE (IN.XXXX)	FR
DATE	DATE	EIGHTY-TWO PLACE (IN.XXXX)	FR
DATE	DATE	EIGHTY-THREE PLACE (IN.XXXX)	FR
DATE	DATE	EIGHTY-FOUR PLACE (IN.XXXX)	FR
DATE	DATE	EIGHTY-FIVE PLACE (IN.XXXX)	FR
DATE	DATE	EIGHTY-SIX PLACE (IN.XXXX)	FR
DATE	DATE	EIGHTY-SEVEN PLACE (IN.XXXX)	FR
DATE	DATE	EIGHTY-EIGHT PLACE (IN.XXXX)	FR
DATE	DATE	EIGHTY-NINE PLACE (IN.XXXX)	FR
DATE	DATE	NINETY PLACE (IN.XXXX)	FR
DATE	DATE	NINETY-ONE PLACE (IN.XXXX)	FR
DATE	DATE	NINETY-TWO PLACE (IN.XXXX)	FR
DATE	DATE	NINETY-THREE PLACE (IN.XXXX)	FR
DATE	DATE	NINETY-FOUR PLACE (IN.XXXX)	FR
DATE	DATE	NINETY-FIVE PLACE (IN.XXXX)	FR
DATE	DATE	NINETY-SIX PLACE (IN.XXXX)	FR
DATE	DATE	NINETY-SEVEN PLACE (IN.XXXX)	FR
DATE	DATE	NINETY-EIGHT PLACE (IN.XXXX)	FR
DATE	DATE	NINETY-NINE PLACE (IN.XXXX)	FR
DATE	DATE	HUNDRED PLACE (IN.XXXX)	FR



VIEW A-A

VIEW B-B



- (64R) EXTERIOR WASH STATION
- (140) SHOWER PACKAGE
- (1A7) SHOWER PACKAGE-WITHOUT

X-X FOR WATER CALLOUTS SEE DWG NO. 116230-01-000

3. ALL TUBING TO BE SECURED AT 1200 INTERVALS MAXIMUM WITH CLAMP 10495-01-000 OR CLIP 91951-01-000 AND SCREW G67-10-12B.
2. TUBING TO BE INSTALLED WITH SUFFICIENT SLOPE TO PROVIDE DRAINAGE TO NEAREST VALVE.
1. PLASTIC FITTINGS TO BE SEALED WITH SEALANT 84456-01-000

NOTES:

LEGEND	
HOT	—————
COLD	—————

WINNERACO INDUSTRIES, INC. WINNERACO 00 222FD

DATE	UNSPECIFIED TOLERANCES ARE:	MATERIAL
DATE	WHOLE DIM (IN)	
DATE	ONE-PLACE (IN.X)	
DATE	TWO-PLACE (IN.XXX)	
DATE	ANGLE	
DATE	THIRD ANGLE PROJECTION	

LANOT NO: 0C222FD TITLE: WATER SYSTEM INSTL

REV # SCALE: NONE 3D NET SCALE DRAWING: SIZE: 1/E

ALL DIMENSIONS ARE IN MILLIMETERS SHEET 1 OF 2 REF: 119075 P I 133333

