

- NOTES:
1. SLOPE OF HORIZONTAL PIPING TO BE 6 PER 305 MIN.
 2. SLOPE OF TRAP ARM MUST BE 6 PER 305.
 3. ALL PIPE AND FITTINGS TO BE ASSEMBLED WITH SOLVENT 4020-01-000.
 4. ALL EXTERIOR OPENINGS AROUND PIPE TO BE SEALED WITH 69637-01-000.
 5. EXPOSED PIPE ABOVE ROOF TO BE PAINTED 37163-01-000.
 6. FOR CAN UNITS EACH HOLDING TANK SHALL HAVE A CSA APPROVAL STAMPED NEAR THE IAMPO APPROVAL.

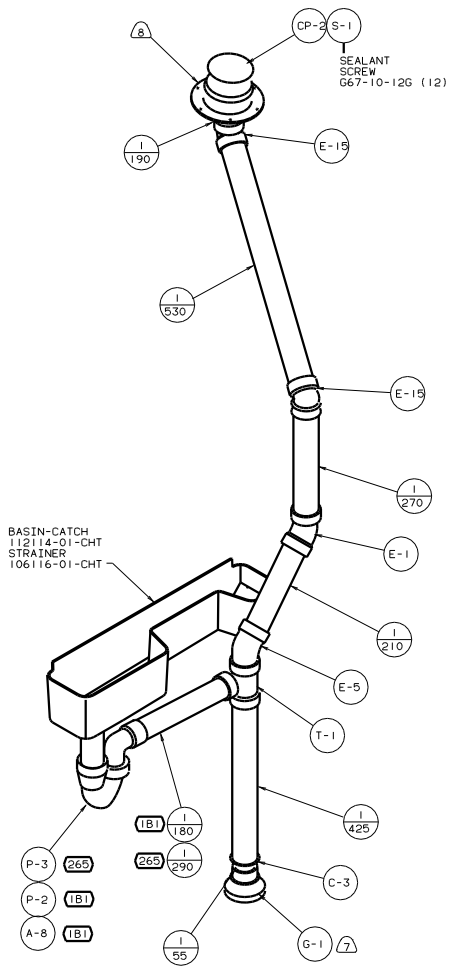
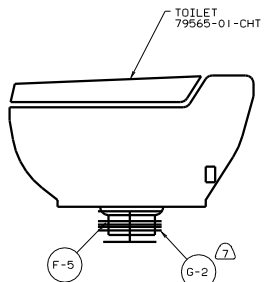
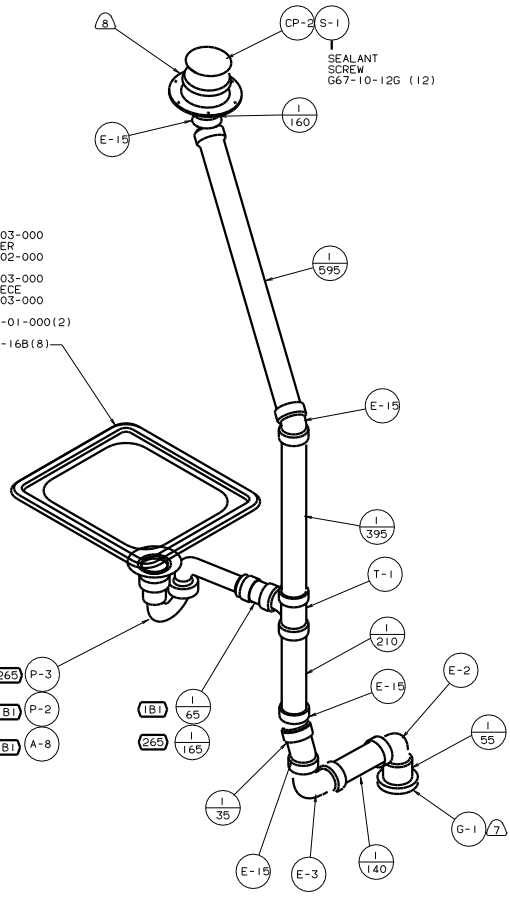
7. SEE DWG 61607-01-000 FOR INSTALLATION OF GROMMET.
8. VENT PIPE MUST PROJECT 51 MIN AND 63.5 MAX ABOVE ROOF FOR PROPER FIT AND FUNCTION.
9. SECURE PIPES TO CABINET USING WIRE TIE 108046-02-000 AND SCREW 667-10-12U (8).
10. PLACE GASKET BETWEEN FLOOR AND BOTTOM OF TANK.

- (265) CODES/STANDARDS-CSA/CMVSS
- (1B1) CODES STANDARDS/USA
- (1A7) SHOWER PACKAGE-WITHOUT
- (140) SHOWER PACKAGE

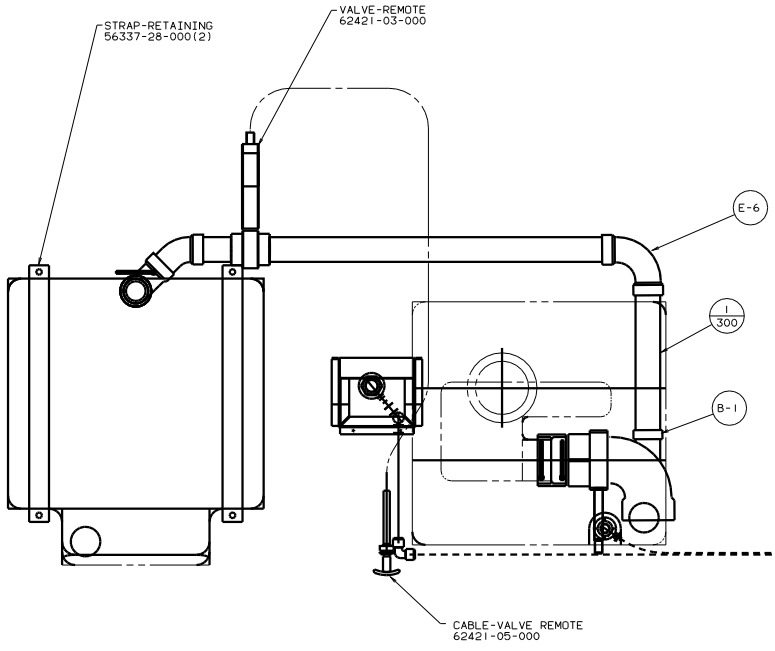
X-X
 FOR DRAINAGE CALLOUTS SEE DWG NO. 116229-01-000

WINNEBAGO		01 222HD
OF IN	DATE	UNSPECIFIED TOLERANCES ARE:
CHP	DATE	WHOLE DIM (1:1) ± .5
PIE	DATE	ONE-PLACE (1:1) ± .5
D/E	DATE	TWO-PLACE (1:1) ± .5
CDR	DATE	THREE-PLACE (1:1) ± .5
DATE	DATE	INDIC. W/OUT PROJECTION
DRAWING NO. 222HD TITLE: DRAINAGE SYSTEM INSTL		SHEET 1 OF 3 DATE 11/16/05 DWG NO. 135954

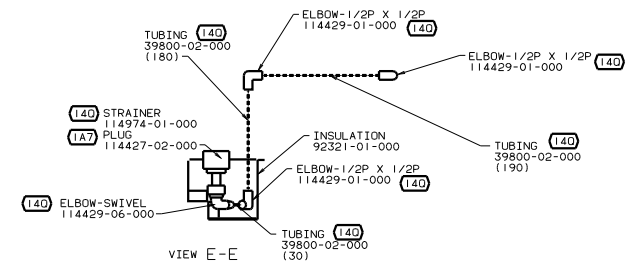
SINK
 11029-03-000
 STRAINER
 66437-02-000
 SEALER
 69640-03-000
 TAILPIECE
 11069-03-000
 ANGLE
 107659-01-000(12)
 SCREW
 667-10-16B(8)



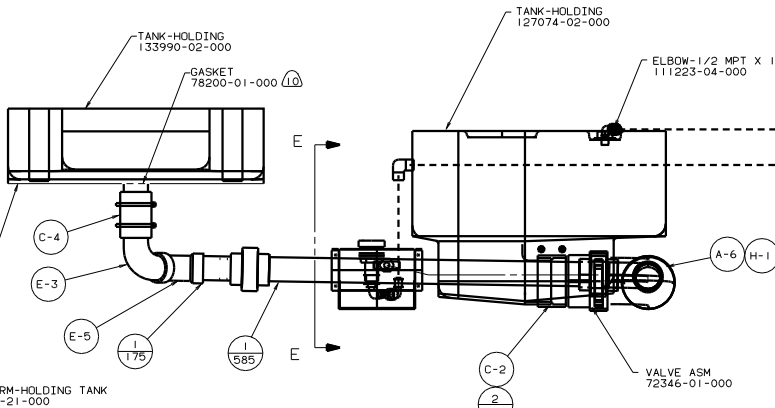
BASIN-CATCH
 112114-01-CHT
 STRAINER
 106116-01-CHT



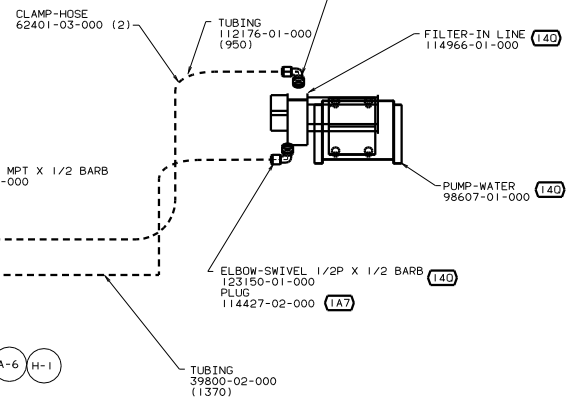
VIEW D-D

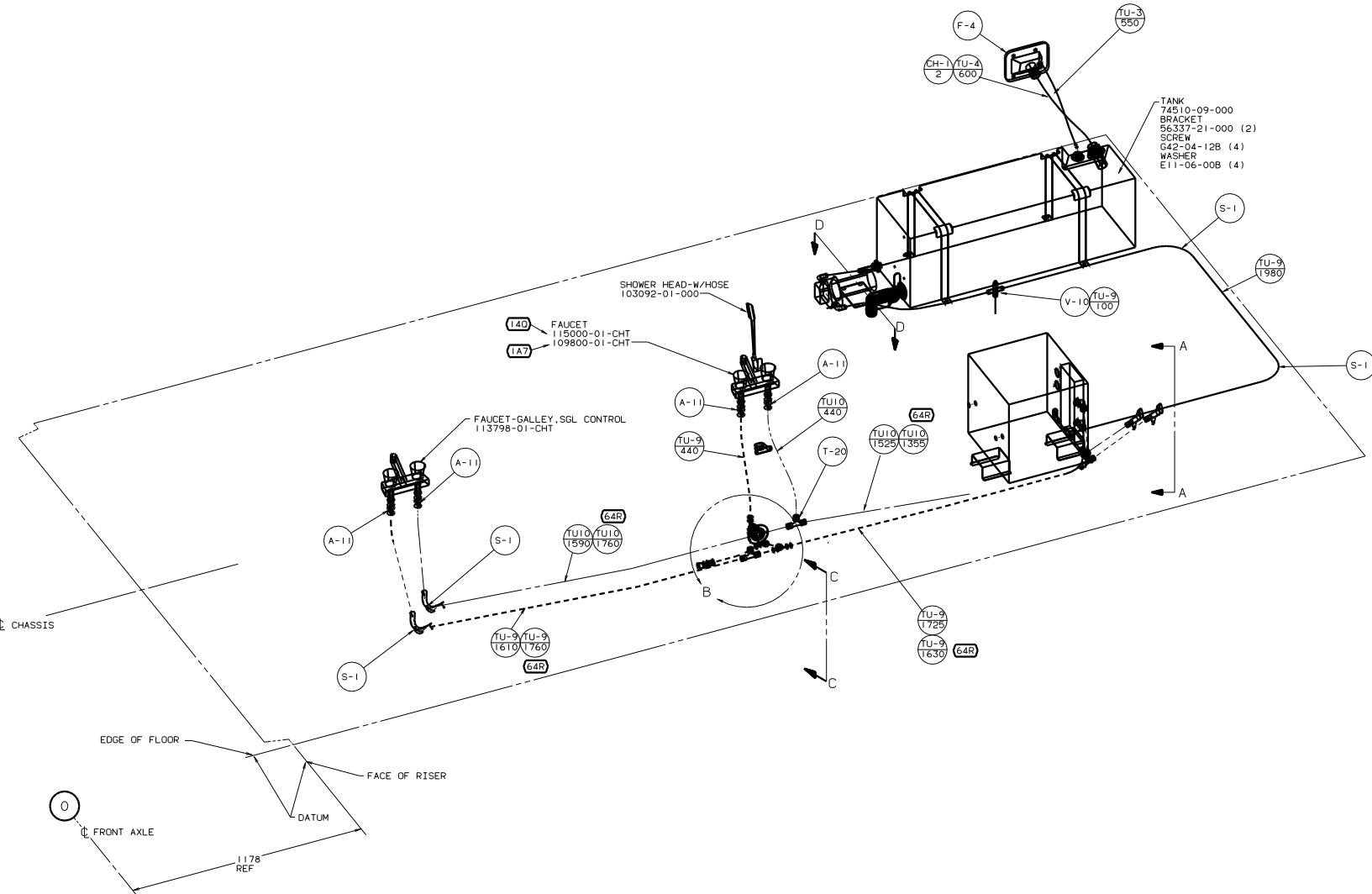


VIEW E-E



VIEW F-F





1. PLASTIC FITTINGS TO BE SEALED WITH SEALANT 84456-01-000
2. TUBING TO BE INSTALLED WITH SUFFICIENT SLOPE TO PROVIDE DRAINAGE TO NEAREST VALVE.
3. ALL TUBING TO BE SECURED AT 1200 INTERVALS MAXIMUM WITH CLAMP 10495-01-000 OR CLIP 91951-01-000 AND SCREW G67-10-12B.

- (64R) EXTERIOR WASH STATION
- (140) SHOWER PACKAGE
- (1A7) SHOWER PACKAGE-WITHOUT

(X-X)

FOR
CALLOUTS
SEE DWG NO.
116230-01-000

LEGEND	
HOT	———
COLD	———

WINNEBAGO		00 222HD
QTY IN	DATE	UNSPECIFIED TOLERANCES ARE:
DATE	DATE	WHOLE DIM (F) F
DATE	DATE	ONE-PLACE (X.X1) 1
DATE	DATE	TWO-PLACE (X.XX) 2
DATE	DATE	THREE-PLACE (X.XXX) 3
DATE	DATE	THREE-PLACE PROJECTION 3
DATE	DATE	
DATE	DATE	
DATE	DATE	
DATE	DATE	
DATE	DATE	
DATE	DATE	
DATE	DATE	
DATE	DATE	
DATE	DATE	
DATE	DATE	

DRAWN BY 0C222HD TITLE WATER SYSTEM INSTL
 SCA 1/8" = 1'-0" DATE 11/1/52 SHEET 1 OF 2
 ALL DIMENSIONS ARE IN MILLIMETERS SHEET 1 OF 2 133332

