

0 FRONT AXLE

0 FRONT AXLE

- 9 USE FOR CANADA EXPORT.
- 8. ALL EXTERIOR OPENINGS AROUND PIPE TO BE SEALED WITH 69637-01-000.
- 7. VENT PIPE MUST BE PROJECTED 6 TO 15 MAXIMUM FROM SIDEWALL FOR PROPER FIT AND FUNCTION.
- 6. SEE DRAWING 61607-01-000 FOR INSTALLATION OF GROMMET.
- 5. EXPOSED PIPE ON EXTERIOR TO BE PAINTED 37163-01-000.
- 4. FOR CANADIAN UNITS EACH HOLDING TANK SHALL HAVE A CSA APPROVAL STAMPED NEAR IAPMO APPROVAL.
- 3. ALL PIPE AND FITTINGS TO BE ASSEMBLED WITH SOLVENT 4020-01-000.
- 2. SLOPE OF TRAP MUST BE 6 PER 300 MINIMUM.
- 1. SLOPE OF HORIZONTAL PIPING TO BE 6 PER 300 MINIMUM.

10 FASTENER CLAMPS AND SCREWS SUPPLIED WITH SINK.

X-X FOR DRAINAGE CALLOUTS SEE DWG NO. 116229-01-000

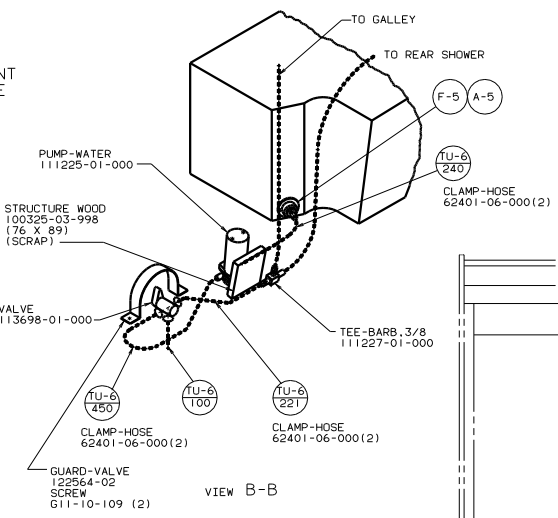
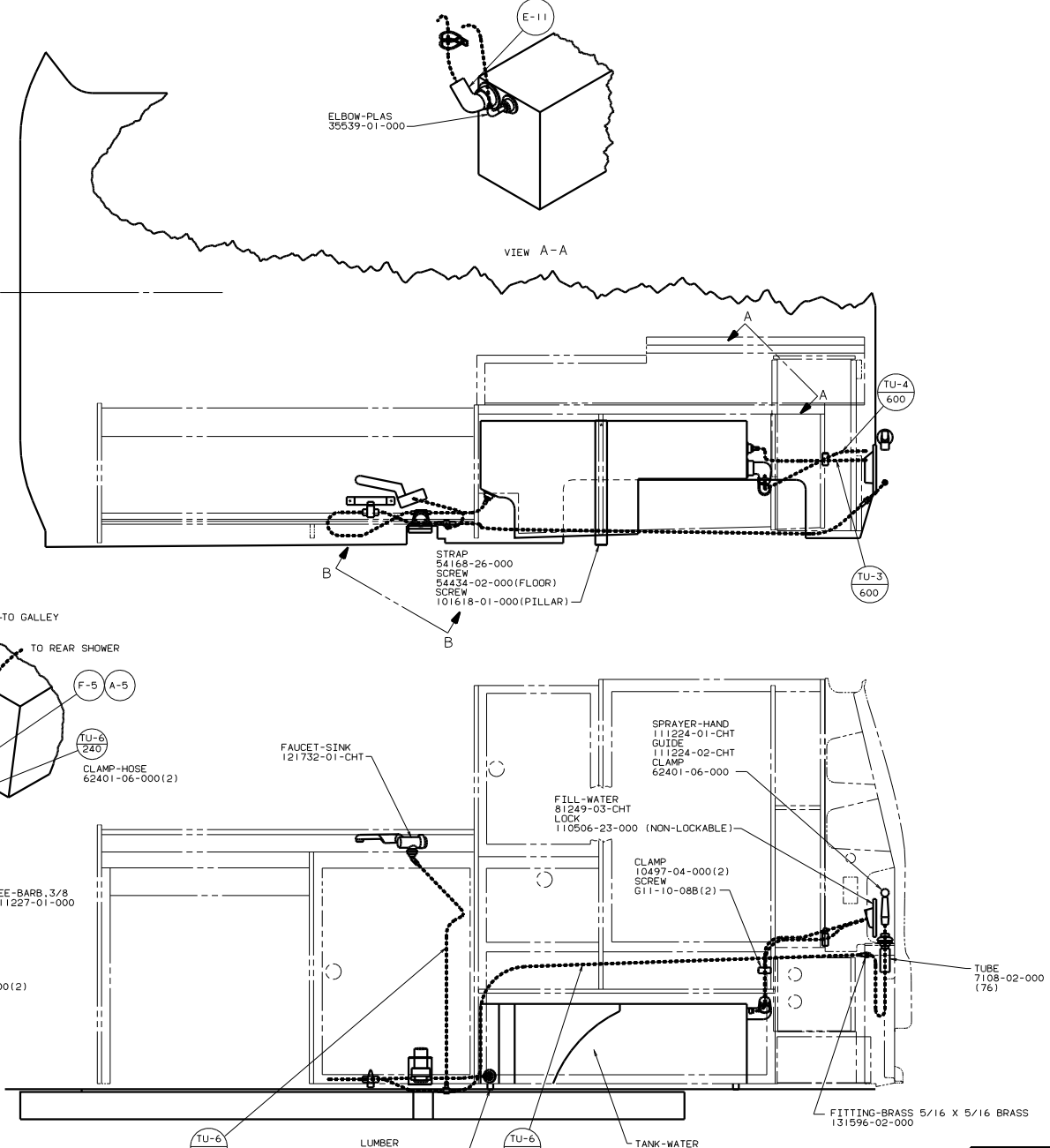
OF IT		DATE	UNSPECIFIED TOLERANCES ARE:	MATERIAL
CHP	DATE	WHOLE DIM (IN)	± .1	
PIE	DATE	ONE-PLACE (IN)	± .01	
D/E	DATE	TWO-PLACE (IN)	± .005	
DATE	DATE	THREE-PLACE (IN)	± .001	
DATE	DATE	FOUR-PLACE (IN)	± .0005	
DATE	DATE	FIVE-PLACE (IN)	± .0001	
DATE	DATE	SIX-PLACE (IN)	± .00005	
DATE	DATE	SEVEN-PLACE (IN)	± .00001	
DATE	DATE	EIGHT-PLACE (IN)	± .000005	
DATE	DATE	NINE-PLACE (IN)	± .000001	
DATE	DATE	TEN-PLACE (IN)	± .0000005	
DATE	DATE	ELEVEN-PLACE (IN)	± .0000001	
DATE	DATE	TWELVE-PLACE (IN)	± .00000005	
DATE	DATE	THIRTEEN-PLACE (IN)	± .00000001	
DATE	DATE	FOURTEEN-PLACE (IN)	± .000000005	
DATE	DATE	FIFTEEN-PLACE (IN)	± .000000001	
DATE	DATE	SIXTEEN-PLACE (IN)	± .0000000005	
DATE	DATE	SEVENTEEN-PLACE (IN)	± .0000000001	
DATE	DATE	EIGHTEEN-PLACE (IN)	± .00000000005	
DATE	DATE	NINETEEN-PLACE (IN)	± .00000000001	
DATE	DATE	TWENTY-PLACE (IN)	± .000000000005	
DATE	DATE	TWENTY-ONE PLACE (IN)	± .000000000001	
DATE	DATE	TWENTY-TWO PLACE (IN)	± .0000000000005	
DATE	DATE	TWENTY-THREE PLACE (IN)	± .0000000000001	
DATE	DATE	TWENTY-FOUR PLACE (IN)	± .00000000000005	
DATE	DATE	TWENTY-FIVE PLACE (IN)	± .00000000000001	
DATE	DATE	TWENTY-SIX PLACE (IN)	± .000000000000005	
DATE	DATE	TWENTY-SEVEN PLACE (IN)	± .000000000000001	
DATE	DATE	TWENTY-EIGHT PLACE (IN)	± .0000000000000005	
DATE	DATE	TWENTY-NINE PLACE (IN)	± .0000000000000001	
DATE	DATE	THIRTY PLACE (IN)	± .00000000000000005	
DATE	DATE	THIRTY-ONE PLACE (IN)	± .00000000000000001	
DATE	DATE	THIRTY-TWO PLACE (IN)	± .000000000000000005	
DATE	DATE	THIRTY-THREE PLACE (IN)	± .000000000000000001	
DATE	DATE	THIRTY-FOUR PLACE (IN)	± .0000000000000000005	
DATE	DATE	THIRTY-FIVE PLACE (IN)	± .0000000000000000001	
DATE	DATE	THIRTY-SIX PLACE (IN)	± .00000000000000000005	
DATE	DATE	THIRTY-SEVEN PLACE (IN)	± .00000000000000000001	
DATE	DATE	THIRTY-EIGHT PLACE (IN)	± .000000000000000000005	
DATE	DATE	THIRTY-NINE PLACE (IN)	± .000000000000000000001	
DATE	DATE	FORTY PLACE (IN)	± .0000000000000000000005	
DATE	DATE	DATE	DATE	DATE

H
G
F
E
D
C
B
A

VEHICLE

FRONT AXLE

FRONT AXLE



- NOTES:
- 3. ALL TUBING TO BE SECURED AT 1200 INTERVALS MAXIMUM WITH CLAMP 10495-01-000 AND SCREW G67-10-12B.
 - 2. TUBING TO BE INSTALLED WITH SUFFICIENT SLOPE TO PROVIDE DRAINAGE TO NEAREST VALVE.
 - 1. PLASTIC FITTINGS TO BE SEALED WITH SEALANT 84456-01-000.

(X-X)
 FOR WATER CALLOUTS SEE DWG NO. 116230-01-000

DATE		UNSPECIFIED TOLERANCES ARE:	MATERIAL
DATE	DATE	WHOLE OR .01	F
DATE	DATE	ONE-PLACE (1/8)	.
DATE	DATE	TWO-PLACE (1/32)	.
DATE	DATE	THREE-PLACE (1/64)	.
DATE	DATE	THREE-PLACE (1/64)	.
DATE	DATE	THREE-PLACE (1/64)	.
DATE	DATE	THREE-PLACE (1/64)	.

WINNEBAGO 97 11TRG

DRAWN BY VVVAN TITLE WATER SYSTEM INSTL
 DATE 11/10/77 REF: 111057 H 1
 SCALE 1:1 SHEET 1 OF 1
 ALL DIMENSIONS ARE IN MILLIMETERS

122522