

6. FOR CAN UNITS EACH HOLDING TANK SHALL HAVE A CSA APPROVAL STAMPED NEAR THE IAMPO APPROVAL.
5. EXPOSED PIPE ABOVE ROOF TO BE PAINTED 37163-01-000.
4. ALL EXTERIOR OPENINGS AROUND PIPE TO BE SEALED WITH 69637-01-000.
3. ALL PIPE AND FITTINGS TO BE ASSEMBLED WITH SOLVENT 4020-01-000.
2. SLOPE OF TRAP ARM MUST BE 6 PER 305.
1. SLOPE OF HORIZONTAL PIPING TO BE 6 PER 305 MIN.

- ⑩ PLACE GASKET BETWEEN FLOOR AND BOTTOM OF TANK.
9. SECURE PIPES TO CABINET USING WIRE TIE 108046-02-000 AND SCREW 667-10-12U (8).
- ⑧ VENT PIPE MUST PROJECT 51 MIN AND 63.5 MAX ABOVE ROOF FOR PROPER FIT AND FUNCTION.
- ⑦ SEE DWG 61607-01-000 FOR INSTALLATION OF GROMMET.

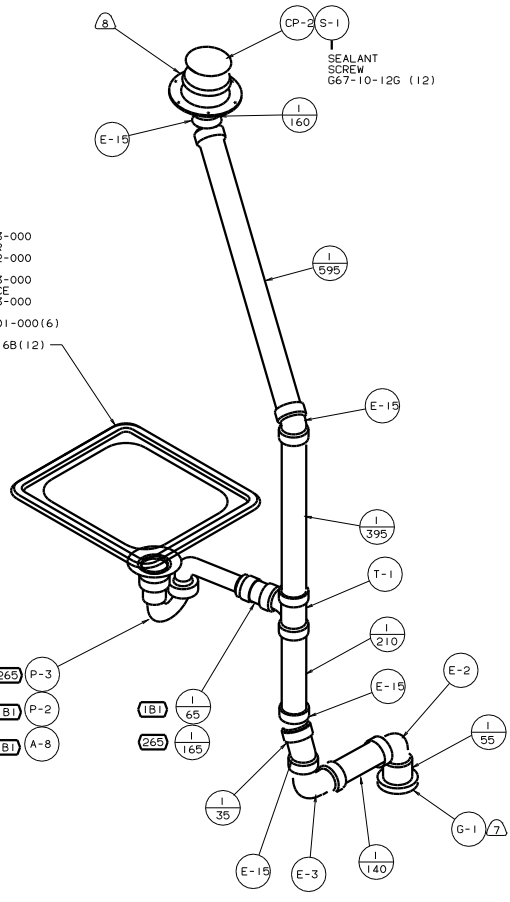
- ②65 CODES/STANDARDS-CSA/CMVSS
- ①B1 CODES STANDARDS/USA
- ①A7 SHOWER PACKAGE-WITHOUT
- ①40 SHOWER PACKAGE

X-X

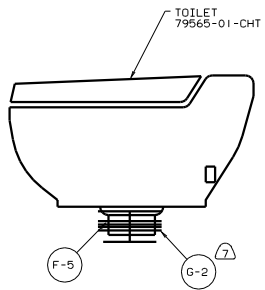
FOR DRAINAGE CALLOUTS SEE DWG NO. 116229-01-000

WINNEBAGO		00 222HD
DATE	DATE	UNDESIGNED TOLERANCES ARE:
DATE	DATE	WHOLE DIM (IN) ± .5
DATE	DATE	ONE-PLACE (IN) ± .1
DATE	DATE	TWO-PLACE (IN) ± .01
DATE	DATE	THREE-PLACE (IN) ± .005
DATE	DATE	FOUR-PLACE (IN) ± .001
DATE	DATE	FIVE-PLACE (IN) ± .0005
DATE	DATE	SIX-PLACE (IN) ± .0002
DATE	DATE	SEVEN-PLACE (IN) ± .0001
DATE	DATE	EIGHT-PLACE (IN) ± .00005
DATE	DATE	NINE-PLACE (IN) ± .00002
DATE	DATE	TEN-PLACE (IN) ± .00001
DATE	DATE	UNDESIGNED TOLERANCES ARE:
DATE	DATE	WHOLE DIM (MM) ± .5
DATE	DATE	ONE-PLACE (MM) ± .1
DATE	DATE	TWO-PLACE (MM) ± .05
DATE	DATE	THREE-PLACE (MM) ± .02
DATE	DATE	FOUR-PLACE (MM) ± .01
DATE	DATE	FIVE-PLACE (MM) ± .005
DATE	DATE	SIX-PLACE (MM) ± .002
DATE	DATE	SEVEN-PLACE (MM) ± .001
DATE	DATE	EIGHT-PLACE (MM) ± .0005
DATE	DATE	NINE-PLACE (MM) ± .0002
DATE	DATE	TEN-PLACE (MM) ± .0001
DATE	DATE	UNDESIGNED TOLERANCES ARE:
DATE	DATE	WHOLE DIM (MM) ± .5
DATE	DATE	ONE-PLACE (MM) ± .1
DATE	DATE	TWO-PLACE (MM) ± .05
DATE	DATE	THREE-PLACE (MM) ± .02
DATE	DATE	FOUR-PLACE (MM) ± .01
DATE	DATE	FIVE-PLACE (MM) ± .005
DATE	DATE	SIX-PLACE (MM) ± .002
DATE	DATE	SEVEN-PLACE (MM) ± .001
DATE	DATE	EIGHT-PLACE (MM) ± .0005
DATE	DATE	NINE-PLACE (MM) ± .0002
DATE	DATE	TEN-PLACE (MM) ± .0001
DATE	DATE	UNDESIGNED TOLERANCES ARE:
DATE	DATE	WHOLE DIM (MM) ± .5
DATE	DATE	ONE-PLACE (MM) ± .1
DATE	DATE	TWO-PLACE (MM) ± .05
DATE	DATE	THREE-PLACE (MM) ± .02
DATE	DATE	FOUR-PLACE (MM) ± .01
DATE	DATE	FIVE-PLACE (MM) ± .005
DATE	DATE	SIX-PLACE (MM) ± .002
DATE	DATE	SEVEN-PLACE (MM) ± .001
DATE	DATE	EIGHT-PLACE (MM) ± .0005
DATE	DATE	NINE-PLACE (MM) ± .0002
DATE	DATE	TEN-PLACE (MM) ± .0001
DATE	DATE	UNDESIGNED TOLERANCES ARE:
DATE	DATE	WHOLE DIM (MM) ± .5
DATE	DATE	ONE-PLACE (MM) ± .1
DATE	DATE	TWO-PLACE (MM) ± .05
DATE	DATE	THREE-PLACE (MM) ± .02
DATE	DATE	FOUR-PLACE (MM) ± .01
DATE	DATE	FIVE-PLACE (MM) ± .005
DATE	DATE	SIX-PLACE (MM) ± .002
DATE	DATE	SEVEN-PLACE (MM) ± .001
DATE	DATE	EIGHT-PLACE (MM) ± .0005
DATE	DATE	NINE-PLACE (MM) ± .0002
DATE	DATE	TEN-PLACE (MM) ± .0001
DATE	DATE	UNDESIGNED TOLERANCES ARE:
DATE	DATE	WHOLE DIM (MM) ± .5
DATE	DATE	ONE-PLACE (MM) ± .1
DATE	DATE	TWO-PLACE (MM) ± .05
DATE	DATE	THREE-PLACE (MM) ± .02
DATE	DATE	FOUR-PLACE (MM) ± .01
DATE	DATE	FIVE-PLACE (MM) ± .005
DATE	DATE	SIX-PLACE (MM) ± .002
DATE	DATE	SEVEN-PLACE (MM) ± .001
DATE	DATE	EIGHT-PLACE (MM) ± .0005
DATE	DATE	NINE-PLACE (MM) ± .0002
DATE	DATE	TEN-PLACE (MM) ± .0001
DATE	DATE	UNDESIGNED TOLERANCES ARE:
DATE	DATE	WHOLE DIM (MM) ± .5
DATE	DATE	ONE-PLACE (MM) ± .1
DATE	DATE	TWO-PLACE (MM) ± .05
DATE	DATE	THREE-PLACE (MM) ± .02
DATE	DATE	FOUR-PLACE (MM) ± .01
DATE	DATE	FIVE-PLACE (MM) ± .005
DATE	DATE	SIX-PLACE (MM) ± .002
DATE	DATE	SEVEN-PLACE (MM) ± .001
DATE	DATE	EIGHT-PLACE (MM) ± .0005
DATE	DATE	NINE-PLACE (MM) ± .0002
DATE	DATE	TEN-PLACE (MM) ± .0001

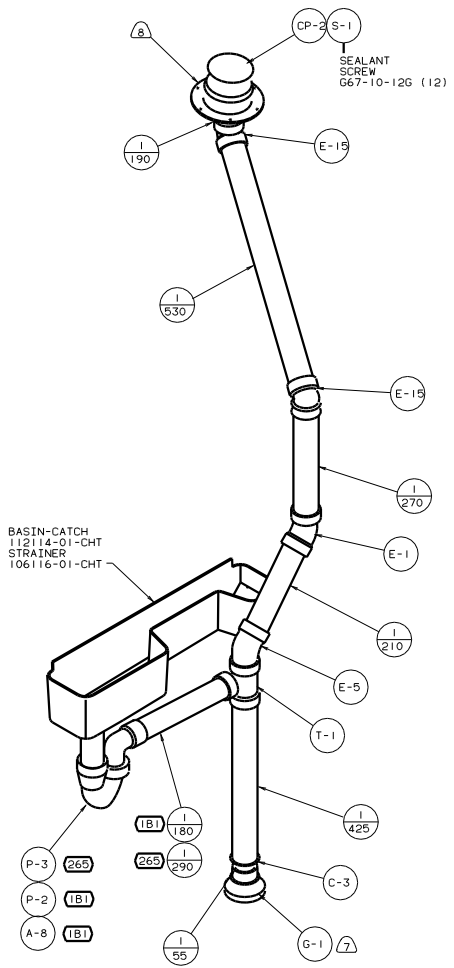
SINK
 11029-03-000
 STRAINER
 66437-02-000
 SEALER
 69640-03-000
 TAILPIECE
 11069-03-000
 ANGLE
 107659-01-000(6)
 SCREW
 G67-10-16B(12)



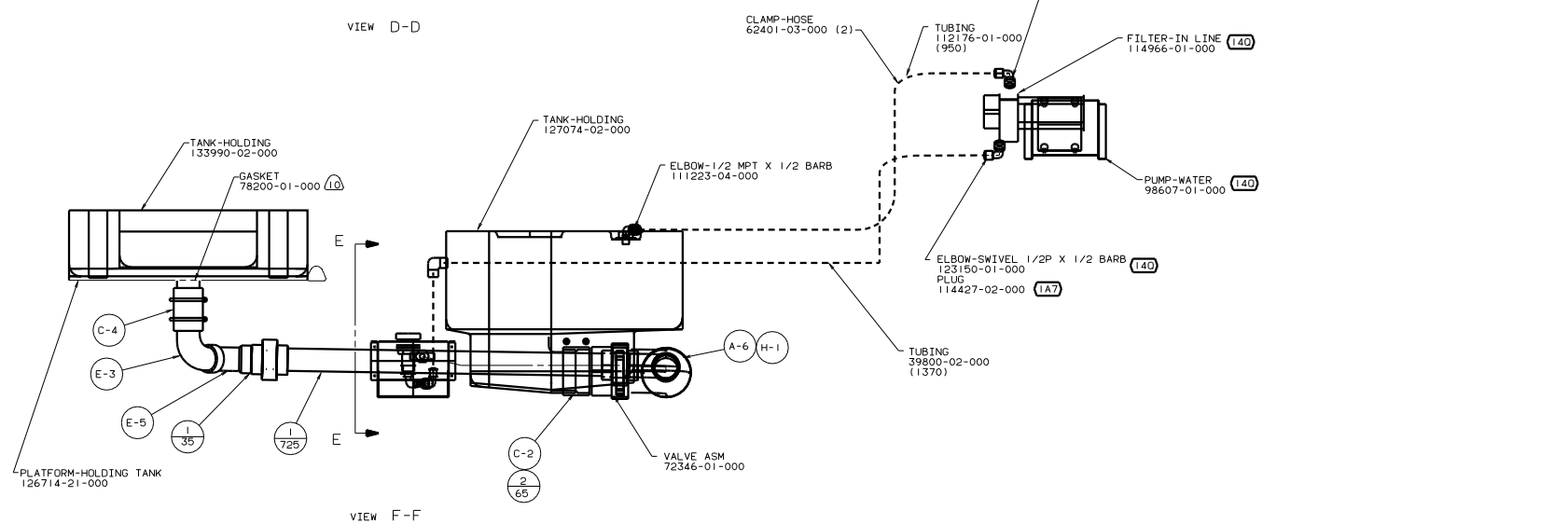
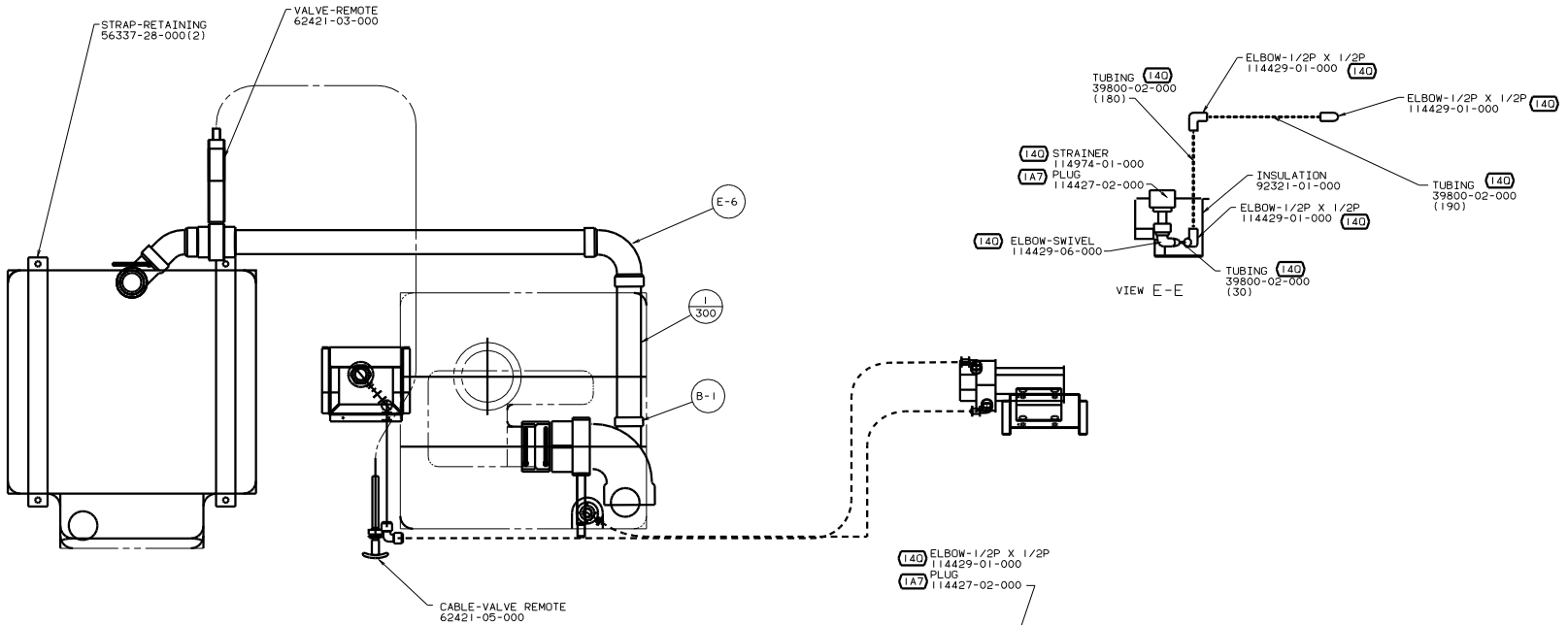
DETAIL A

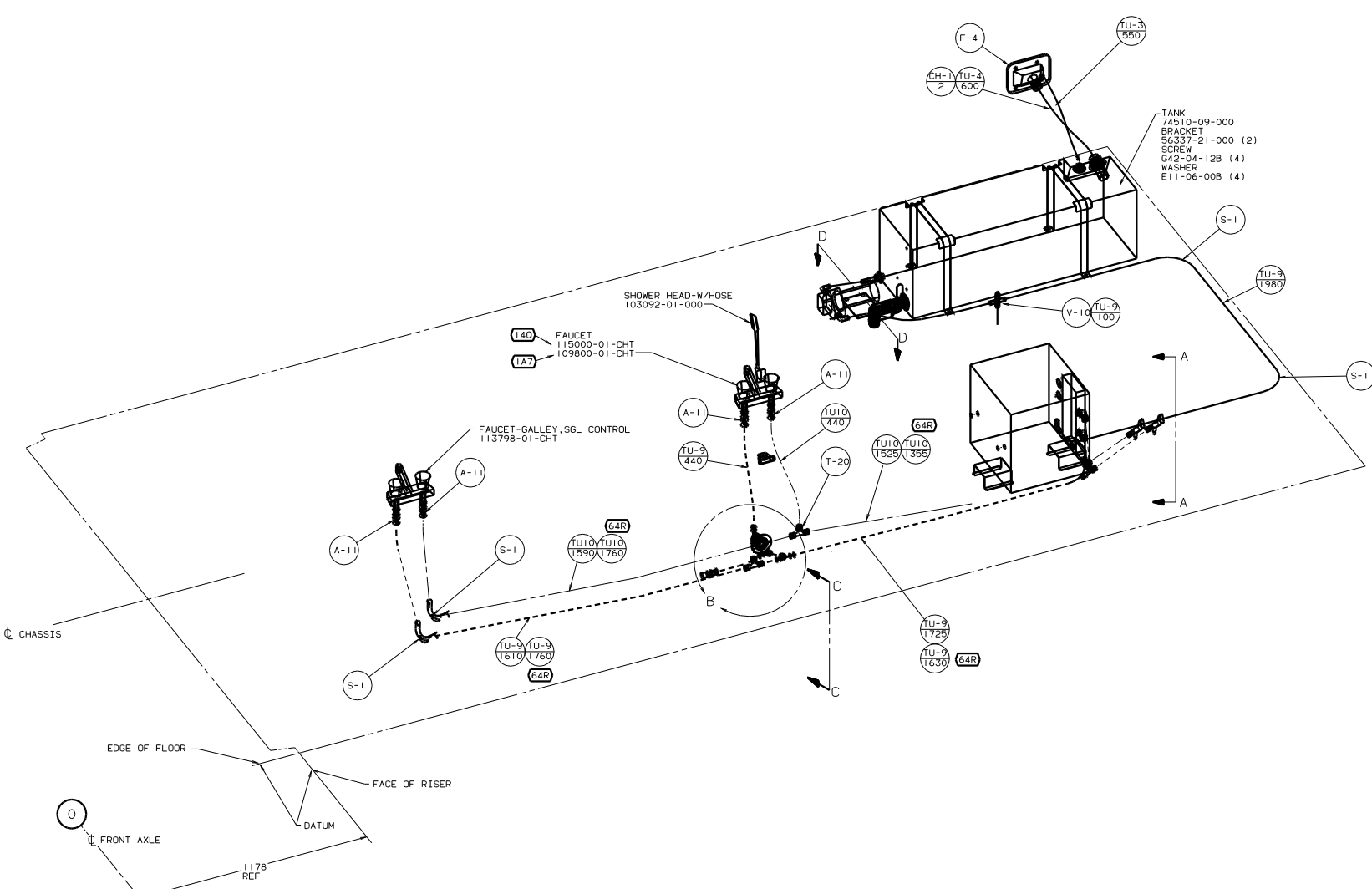


DETAIL B



DETAIL C





- TANK 74510-09-000
- BRACKET 56337-21-000 (2)
- SCREW G42-04-12B (4)
- WASHER E11-06-00B (4)

- (I40) FAUCET 115000-01-CHT
- (I47) FAUCET 109800-01-CHT

- FAUCET-GALLEY, SGL CONTROL 113798-01-CHT

- SHOWER HEAD-W/HOSE 103092-01-000

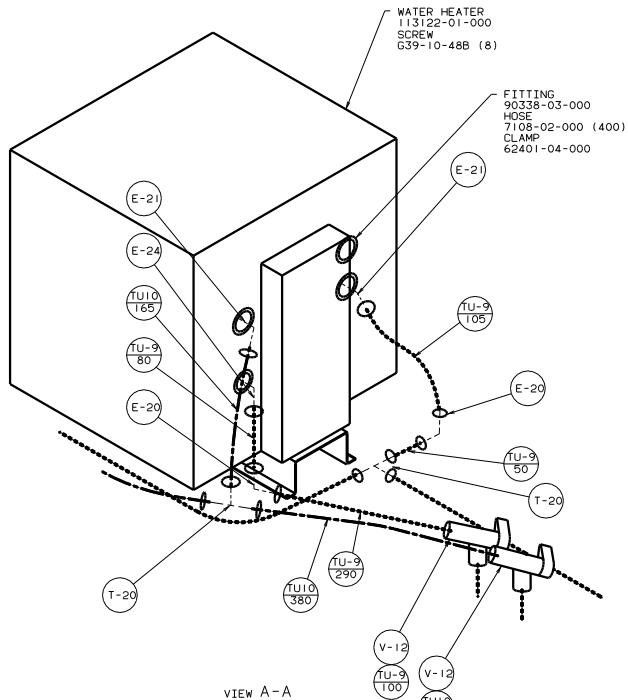
- (64R) EXTERIOR WASH STATION
- (I40) SHOWER PACKAGE
- (IA7) SHOWER PACKAGE-WITHOUT

3. ALL TUBING TO BE SECURED AT 1200 INTERVALS MAXIMUM WITH CLAMP 10495-01-000 OR CLIP 91951-01-000 AND SCREW G67-10-12B.
2. TUBING TO BE INSTALLED WITH SUFFICIENT SLOPE TO PROVIDE DRAINAGE TO NEAREST VALVE.
1. PLASTIC FITTINGS TO BE SEALED WITH SEALANT 84456-01-000

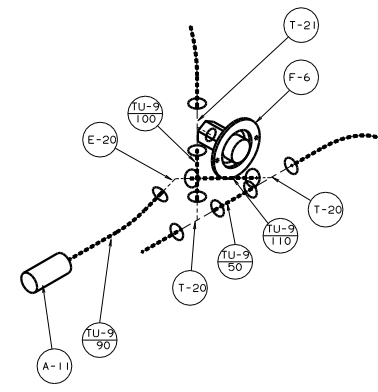
FOR WATER CALLOUTS SEE DWG NO 116230-01-000

LEGEND	
HOT	-----
COLD	+++++

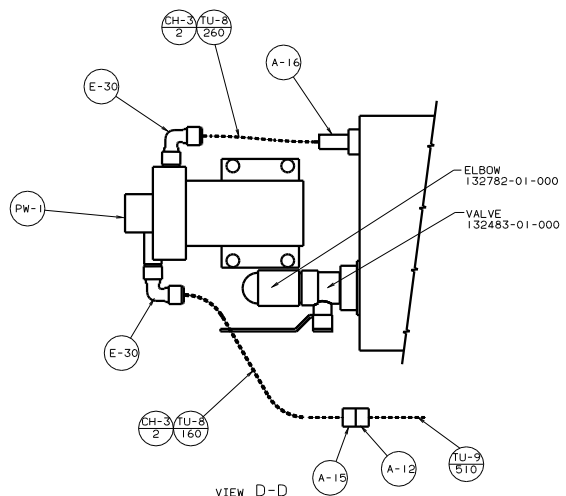
DATE		UNDESIGNED TOLERANCES ARE:		00 222HD
DATE	DATE	HOLE DIM (H)	P	
DATE	DATE	ONE-PLACE (H, X)	F	
DATE	DATE	TWO-PLACE (H, X)	F	
DATE	DATE	ANGLE	F	
DATE	DATE	THIRD-WHOLE PROJECTION	F	
LANE #	0C222HD	TITLE	WATER SYSTEM INSTL	
SHEET	1 OF 2	REF:	131522 B I	133332



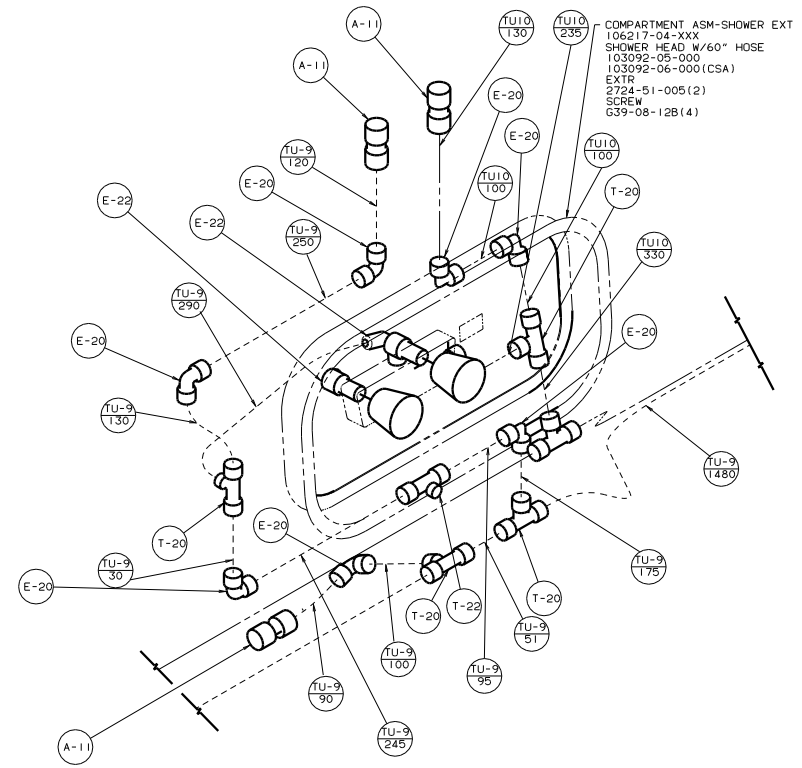
VIEW A-A



DETAIL B



VIEW D-D



VIEW C-C (64R)

TITLE: WATER SYSTEM INSTL	
NO. OF SHEETS: 2	SHEET 2 OF 2
DATE: 11/16/05	133332