

- SINK 11029-03-000
- STRAINER 66437-02-000
- SEALER 69640-03-000
- TAILPIECE 11069-03-000
- ANGLE 107659-01-000(6)
- SCREW 667-10-16B(12)
- CSA ONLY

- BASIN-CATCH 112114-01-CHT
- STRAINER ASM 106116-01-CHT
- CSA ONLY

- SHROUD-DRAINAGE 117271-01-CHT
- SCREW 639-10-12B(4)
- ADAPTER 109571-02-000

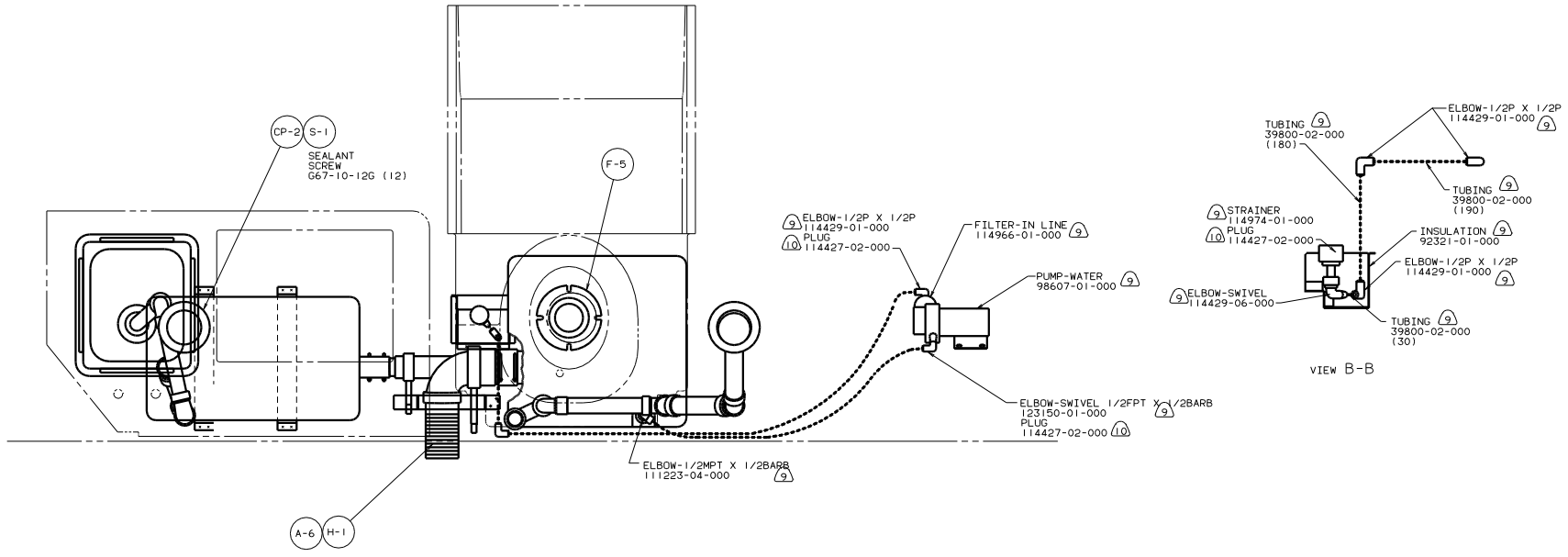
- BRACKET-TANK-HOLDING 118980-02-CHT
- SCREW 639-10-08B(4)
- BRACKET-TANK-HOLDING 118980-02-CHT
- SCREW 639-10-08B(4)
- COUPLING 89355-01-000

222RC/RT US/CANADIAN  
 181 CODE STANDARDS-USA  
 265 CODE STANDARDS-CSA

FOR DRAINAGE CALLOUTS SEE DWG NO. 116229-01-000

5. EXPOSED PIPE ABOVE ROOF TO BE PAINTED 37163-01-000.
4. ALL EXTERIOR OPENINGS AROUND PIPE TO BE SEALED WITH 69637-01-000.
3. ALL PIPE AND FITTINGS TO BE ASSEMBLED WITH SOLVENT 4020-01-000.
2. SLOPE OF TRAP ARM MUST BE 6 PER 305.
1. SLOPE OF HORIZONTAL PIPING TO BE 6 PER 305 MIN.
10. 1A7 SHOWER PACKAGE WITHOUT.
9. 1A0 SHOWER PACKAGE.
8. VENT PIPE MUST PROJECT 51 MM MIN AND 63.5 MM MAX ABOVE ROOF FOR PROPER FIT AND FUNCTION.
7. SEE DWG 61607-01-000 FOR INSTALLATION OF GROMMET.
6. FOR CANADIAN UNITS EACH HOLDING TANK SHALL HAVE A CSA APPROVAL STAMPED NEAR THE TAMPO APPROVAL.
13. SECURE PIPES TO CABINET USING WIRE TIE 108046-02-000 AND SCREW 667-10-12U (8).
12. NOT USED ON CANADIAN UNIT.
11. USE SCRAP CLOSED CELL NEOPRENE FROM 77075-01-02 OR -03 ON BRACKETS FOR VIBRATION DAMPENING.

DRAWN		DATE		UNDESIGNED TOLERANCES ARE:		MATERIAL	
CHKD	DATE	WHOLE OR 1/16"	± .8	ONE-PLACE (16.41)	± .1		
APP	DATE	TWO-PLACE (16.49)	± .05				
DES	DATE	MILL	± .025				
COMP	DATE	THIRD PLACE (16.50)	± .01				
SHEET 1 OF 2		TITLE		DRAWING WEALE PRODUCTION			
116229-01-000		222IR16		DRAINAGE SYSTEM INSTL			
116229-01-000		116229-01-000		126232			



CP-2 S-1  
SEALANT  
SCREW  
G67-10-12G (12)

F-5

ELBOW-1/2P X 1/2P  
114429-01-000  
PLUG  
114427-02-000

FILTER-IN LINE  
114966-01-000

PUMP-WATER  
98607-01-000

ELBOW-SWIVEL 1/2FPT X 1/2BARB  
123150-01-000  
PLUG  
114427-02-000

ELBOW-1/2MPT X 1/2BARB  
111223-04-000

TUBING  
39800-02-000  
(180)

ELBOW-1/2P X 1/2P  
114429-01-000

TUBING  
39800-02-000  
(190)

STRAINER  
114974-01-000  
PLUG  
114427-02-000

INSULATION  
92321-01-000

ELBOW-1/2P X 1/2P  
114429-01-000

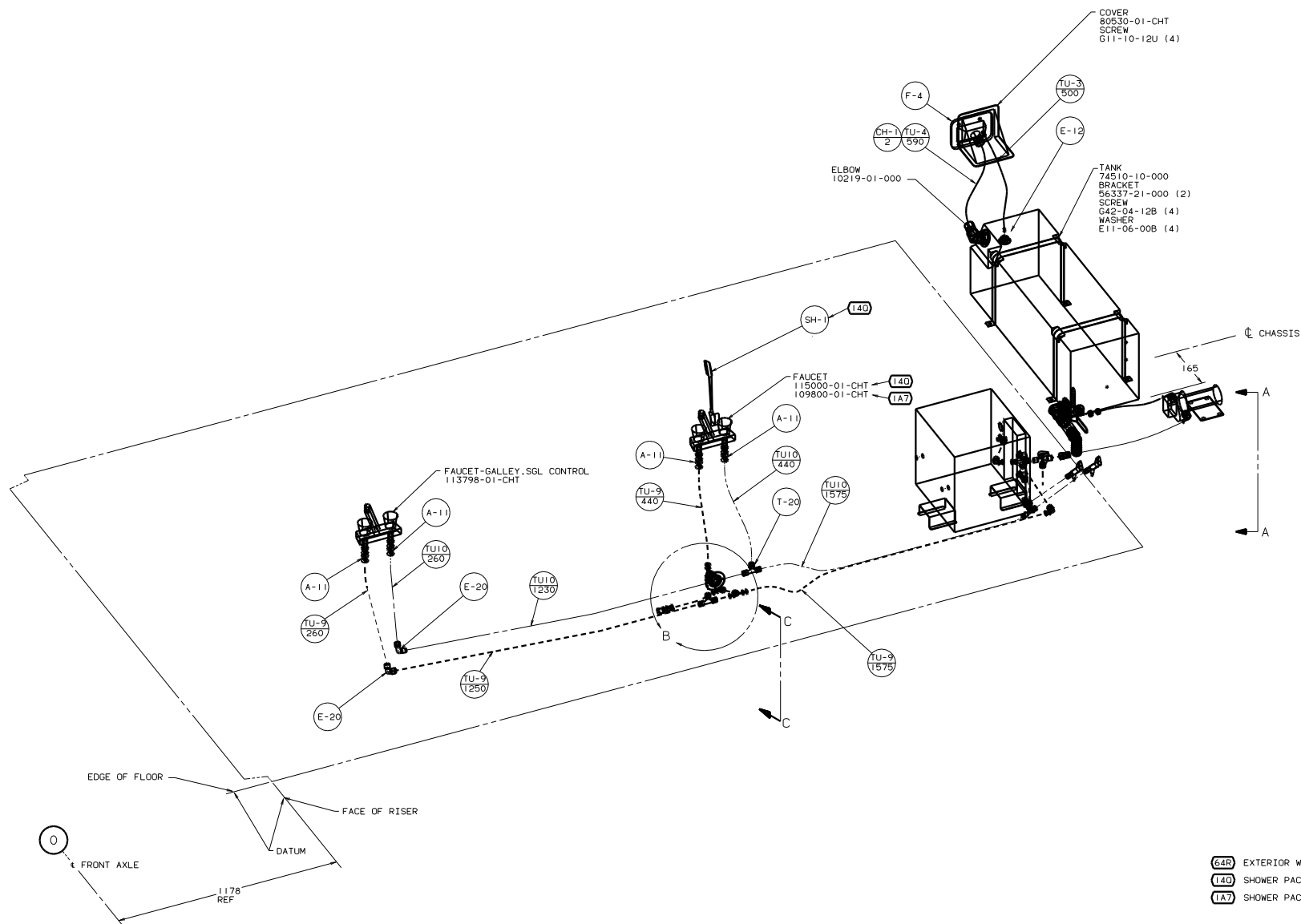
TUBING  
39800-02-000  
(30)

ELBOW-SWIVEL  
114429-06-000

VIEW B-B

A-6 H-1

VIEW A-A



- 64R EXTERIOR WASH STATION
- 140 SHOWER PACKAGE
- 1A7 SHOWER PACKAGE-WITHOUT

FOR WATER CALLOUTS SEE DWG NO. 116230-01-000

3. ALL TUBING TO BE SECURED AT 1200 INTERVALS MAXIMUM WITH CLAMP 10495-01-000 OR CLIP 91951-01-000 AND SCREW G67-10-12B.
2. TUBING TO BE INSTALLED WITH SUFFICIENT SLOPE TO PROVIDE DRAINAGE TO NEAREST VALVE.
1. PLASTIC FITTINGS TO BE SEALED WITH SEALANT 84456-01-000

LEGEND	
HOT	-----
COLD	*****

		00 222FD	
		TITLE: WATER SYSTEM INSTL SHEET 1 OF 2	
DATE	DATE	UNDESIGNED TOLERANCES ARE:	MATERIAL
DATE	DATE	ONE-PLACE (X.X1)	
DATE	DATE	TWO-PLACE (X.XX)	
DATE	DATE	THREE-PLACE (X.XXX)	
DATE	DATE	FOUR-PLACE (X.XXXX)	
DATE	DATE	FIVE-PLACE (X.XXXXX)	
DATE	DATE	SIX-PLACE (X.XXXXXX)	
DATE	DATE	SEVEN-PLACE (X.XXXXXXX)	
DATE	DATE	EIGHT-PLACE (X.XXXXXXX)	
DATE	DATE	NINE-PLACE (X.XXXXXXX)	
DATE	DATE	TEN-PLACE (X.XXXXXXX)	
DATE	DATE	ELEVEN-PLACE (X.XXXXXXX)	
DATE	DATE	TWELVE-PLACE (X.XXXXXXX)	
DATE	DATE	THIRTEEN-PLACE (X.XXXXXXX)	
DATE	DATE	FOURTEEN-PLACE (X.XXXXXXX)	
DATE	DATE	FIFTEEN-PLACE (X.XXXXXXX)	
DATE	DATE	SIXTEEN-PLACE (X.XXXXXXX)	
DATE	DATE	SEVENTEEN-PLACE (X.XXXXXXX)	
DATE	DATE	EIGHTEEN-PLACE (X.XXXXXXX)	
DATE	DATE	NINETEEN-PLACE (X.XXXXXXX)	
DATE	DATE	TWENTY-PLACE (X.XXXXXXX)	
DATE	DATE	TWENTY-ONE-PLACE (X.XXXXXXX)	
DATE	DATE	TWENTY-TWO-PLACE (X.XXXXXXX)	
DATE	DATE	TWENTY-THREE-PLACE (X.XXXXXXX)	
DATE	DATE	TWENTY-FOUR-PLACE (X.XXXXXXX)	
DATE	DATE	TWENTY-FIVE-PLACE (X.XXXXXXX)	
DATE	DATE	TWENTY-SIX-PLACE (X.XXXXXXX)	
DATE	DATE	TWENTY-SEVEN-PLACE (X.XXXXXXX)	
DATE	DATE	TWENTY-EIGHT-PLACE (X.XXXXXXX)	
DATE	DATE	TWENTY-NINE-PLACE (X.XXXXXXX)	
DATE	DATE	THIRTY-PLACE (X.XXXXXXX)	

WATER HEATER  
113122-01-000  
SCREW  
639-10-48B (8)

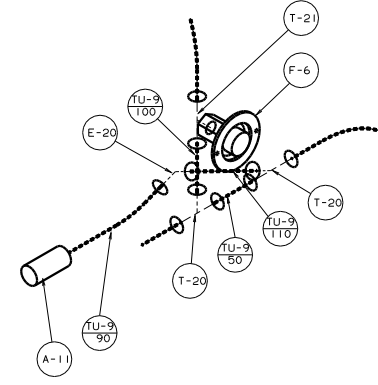
FITTING  
90336-03-000  
HOSE  
7108-02-000 (400)  
CLAMP  
62401-04-000

ELBOW  
132484-01-000

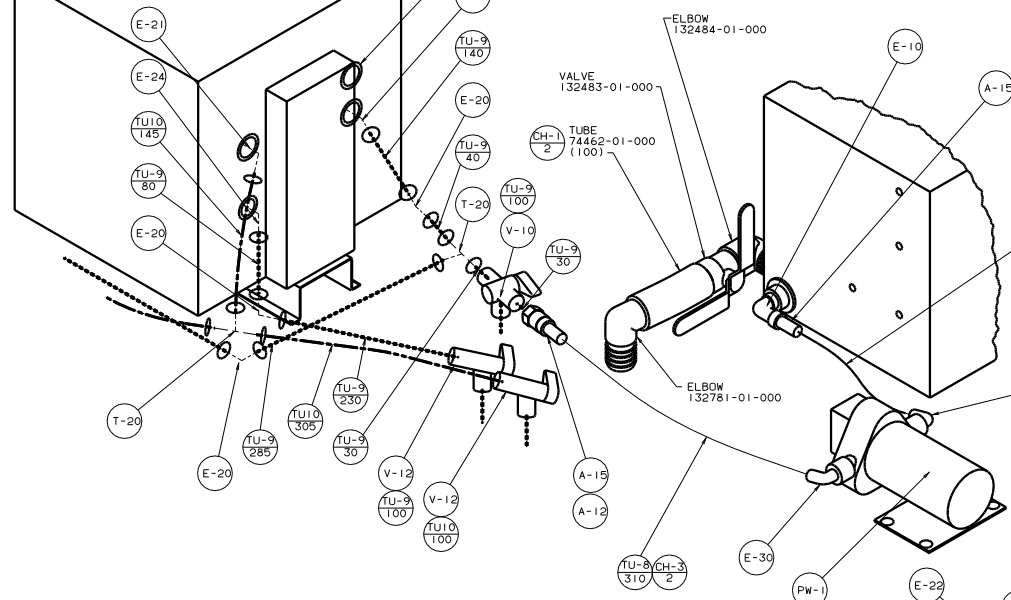
VALVE  
132483-01-000

TUBE  
74462-01-000  
2 (100)

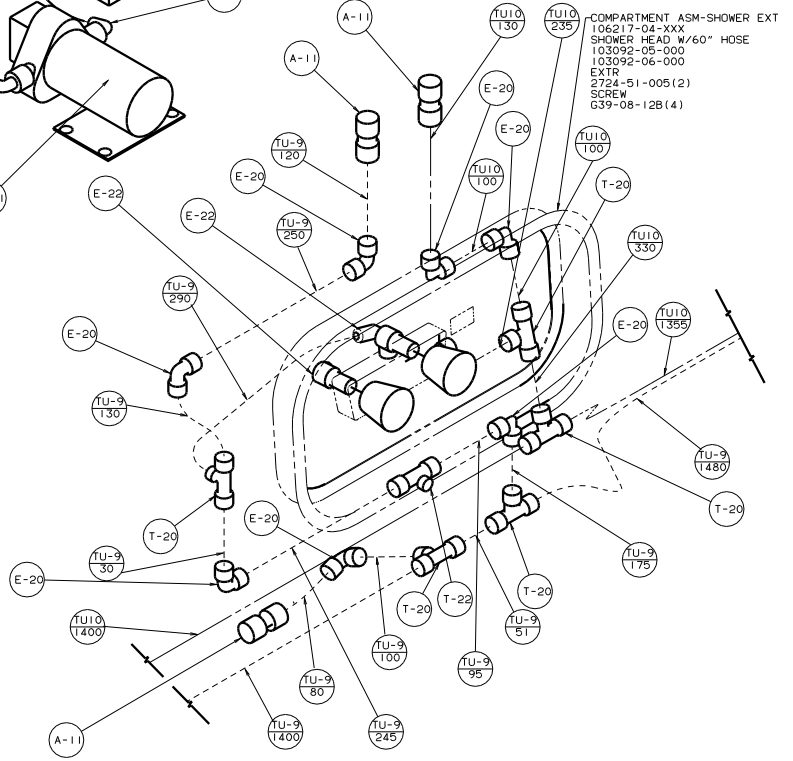
ELBOW  
132781-01-000



DETAIL B



VIEW A-A



COMPARTMENT ASM-SHOWER EXT  
106217-04-XXX  
SHOWER HEAD W/60" HOSE  
103092-05-000  
103092-06-000  
EXTR  
2724-51-005(2)  
SCREW  
639-08-12B(4)

VIEW C-C (64R)  
WITH EXTERIOR SHOWER

00 222FD		
TITLE: WATER SYSTEM INSTL		
NO. OF SHEETS	TOT. SHEETS	REV.
2 OF 2	2	1.0
SHEET 2 OF 2		133333