

222 RD US/CANADIAN

1B1 CODE STANDARDS-USA  
 265 CODE STANDARDS-CSA

5. EXPOSED PIPE ABOVE ROOF TO BE PAINTED 37163-01-000.
4. ALL EXTERIOR OPENINGS AROUND PIPE TO BE SEALED WITH 69637-01-000.
3. ALL PIPE AND FITTINGS TO BE ASSEMBLED WITH SOLVENT 4020-01-000.
2. SLOPE OF TRAP ARM MUST BE 6 PER 305.
1. SLOPE OF HORIZONTAL PIPING TO BE 6 PER 305 MIN.

- (10) 1A7 SHOWER PACKAGE WITHOUT.
- (9) 1A40 SHOWER PACKAGE.
- (8) VENT PIPE MUST PROJECT 51 MIN AND 63.5 MAX ABOVE ROOF FOR PROPER FIT AND FUNCTION.
- (7) SEE DWG 61607-01-000 FOR INSTALLATION OF GROMMET.
6. FOR CAN UNITS EACH HOLDING TANK SHALL HAVE A CSA APPROVAL STAMPED NEAR THE IAMPO APPROVAL.

- (18) SECURE PIPES TO CABINET USING WIRE TIE 108046-02-000 AND SCREW G67-10-12U (8).
- (14) JAPAN ONLY.
- (13) NOT USED ON CANADIAN UNIT.
- (12) 265 CODE STANDARDS. CSA.
- (11) USE SCRAP CLOSED CELL NEOPRENE FROM 77075-01-02 OR -03 ON HAT CHANNELS FOR VIBRATION DAMPENING.

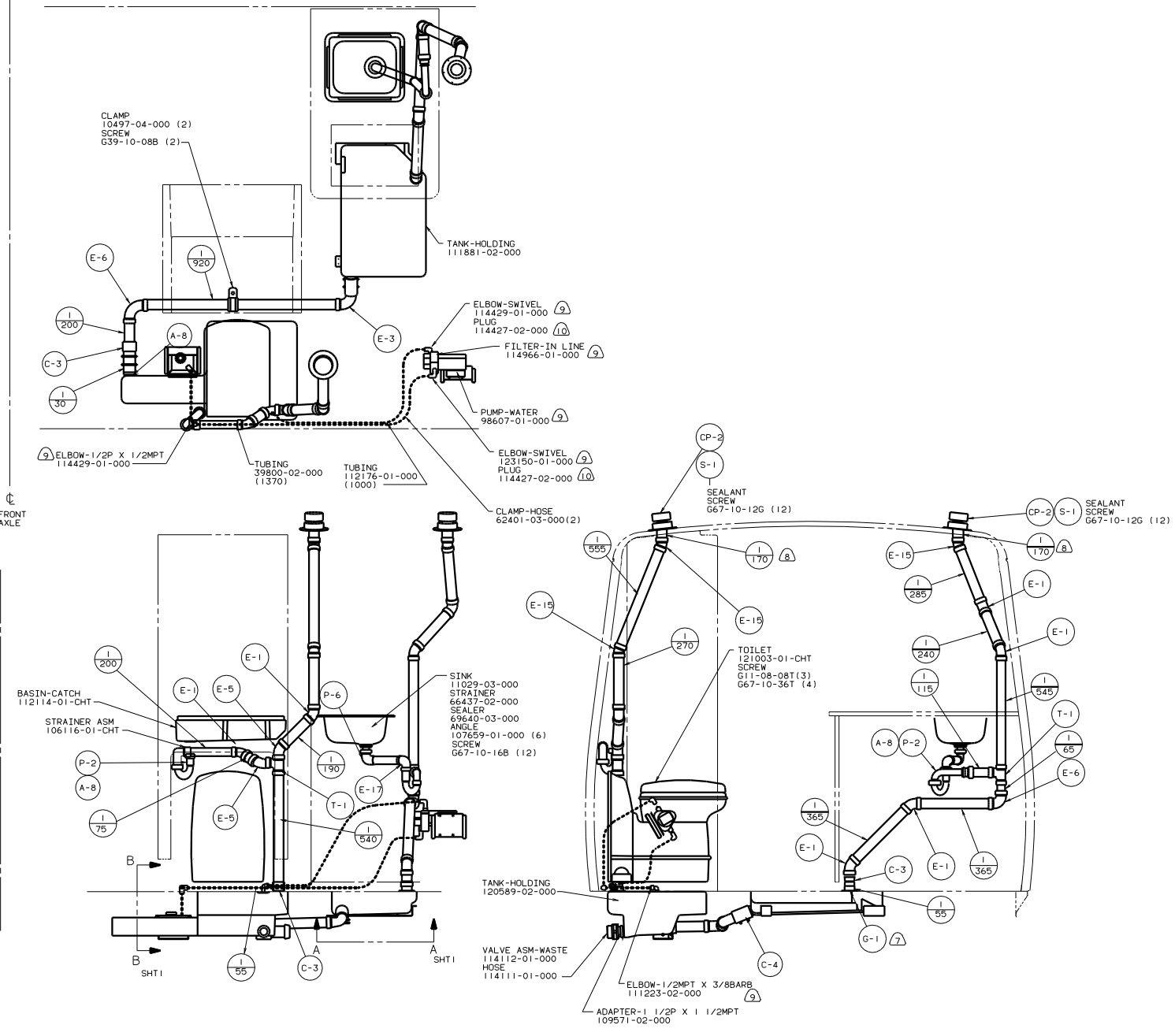
WINNEBAGO 98 222RD

OF IN	DATE	UNSPECIFIED TOLERANCES ARE:	MATERIAL
CHP	DATE	FRAC. OR .01	
PIE	DATE	ONE-PLACE (FR. 31)	
P/E	DATE	TWO-PLACE (FR. 30)	
D/E	DATE	MILL	
CDR	DATE	THRU WHOLE PRODUCTION	

DRAWING NO. 222RD7 TITLE: DRAINAGE SYSTEM INSTL

SHEET 1 OF 2

DATE: 126888

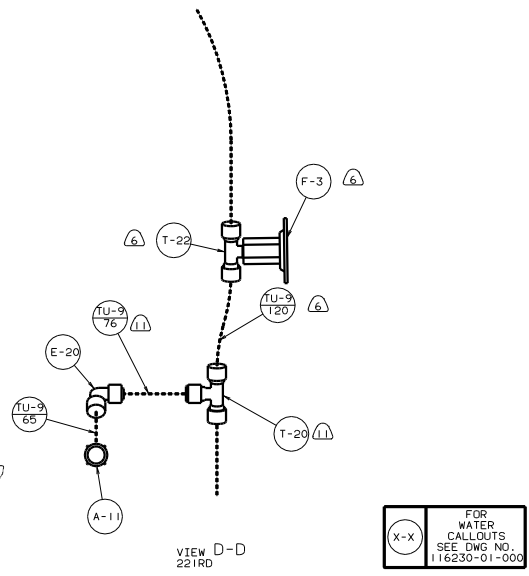
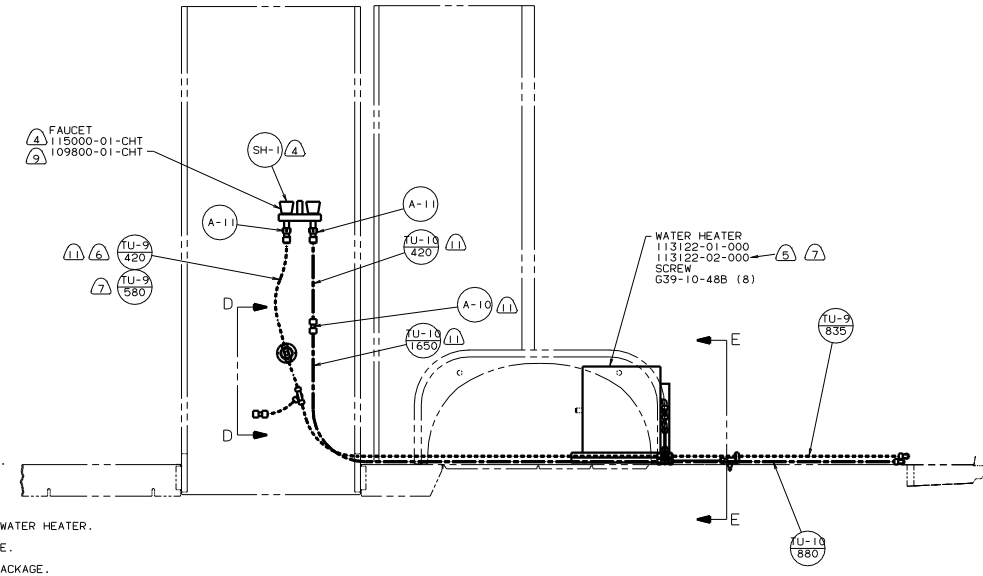
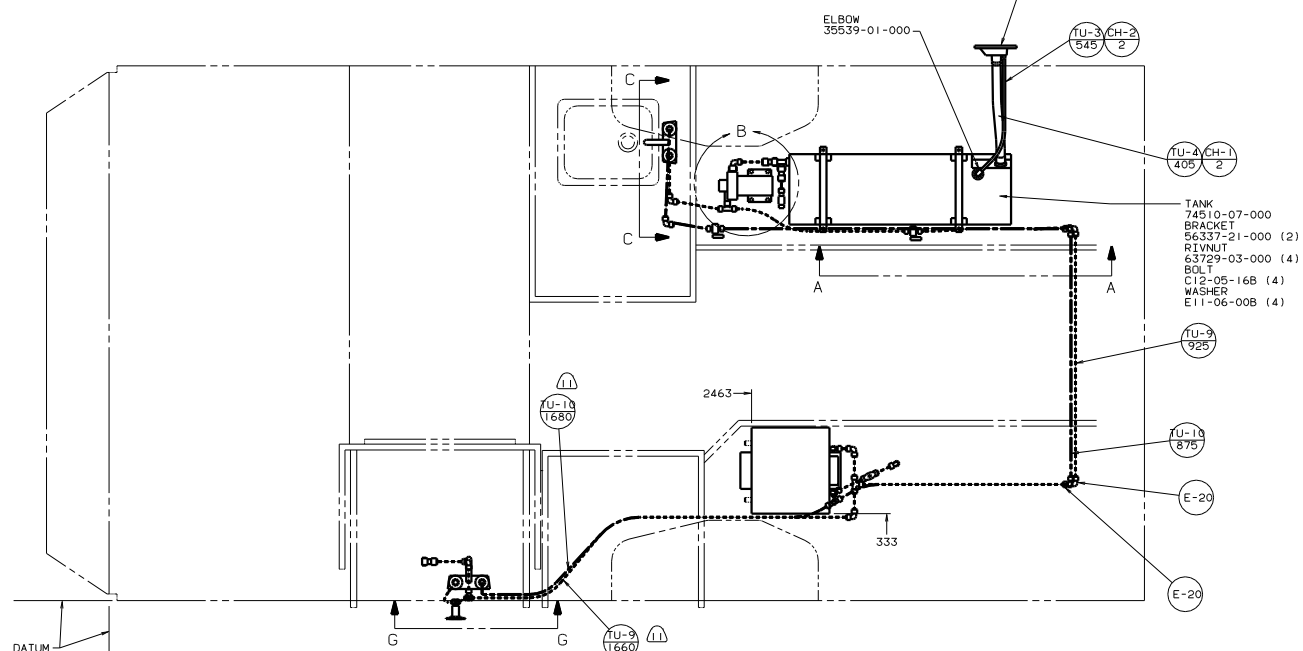


98 222RD  
JAPAN EXPORT

04L JAPAN EXPORT PKG

TITLE		DRAWING NO.	
DRAINAGE SYSTEM INSTL		126888	
DO NOT SCALE DRAWING	DATE	REV	INC
SHEET 2 OF 2	1.6		

FRONT AXLE



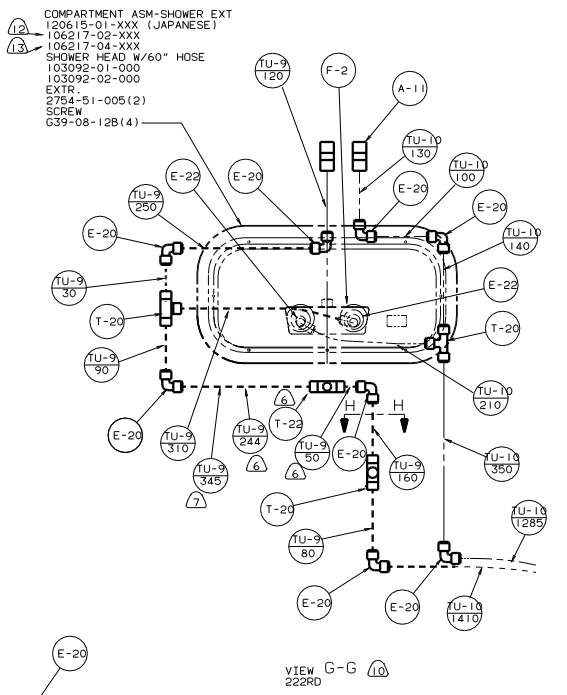
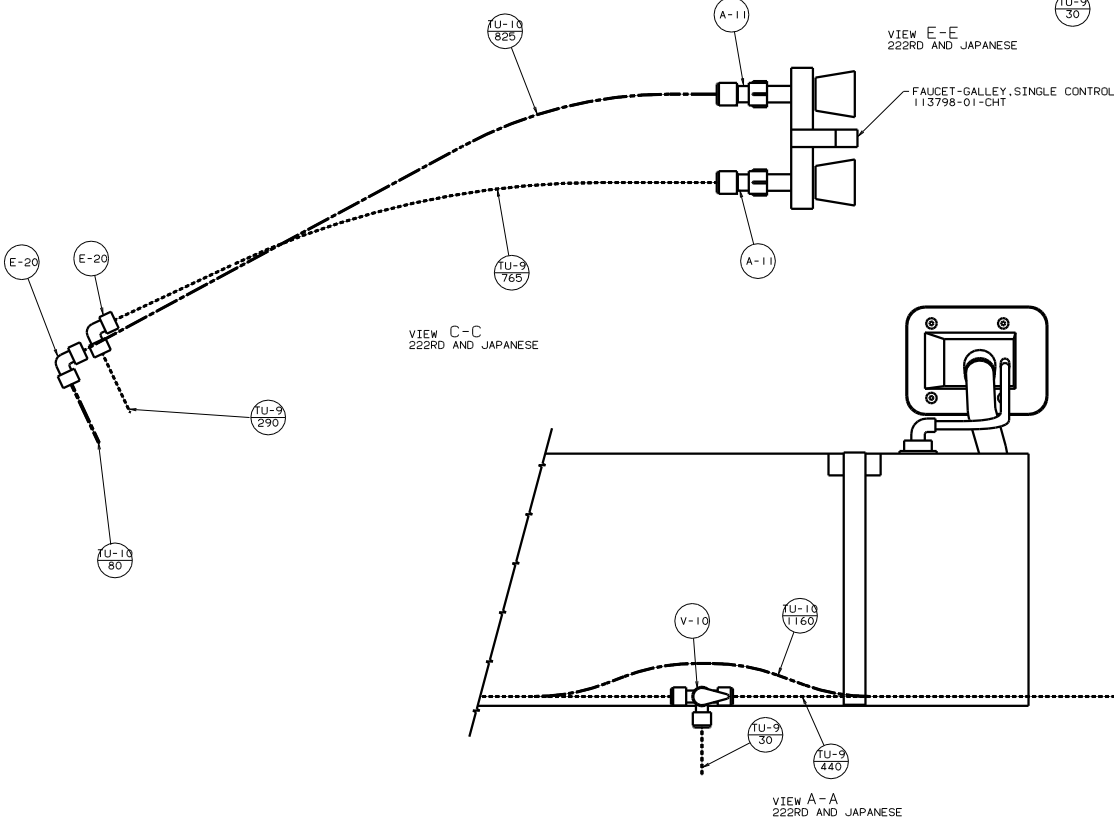
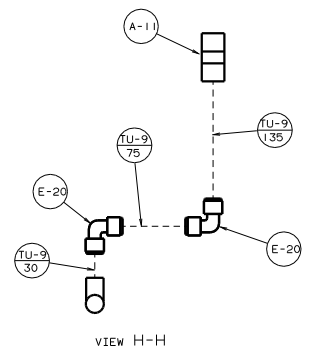
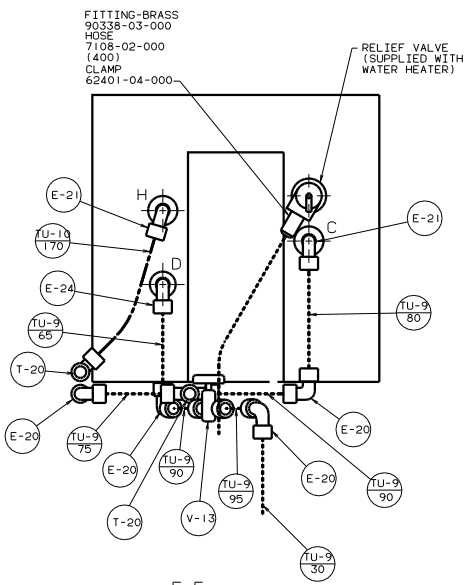
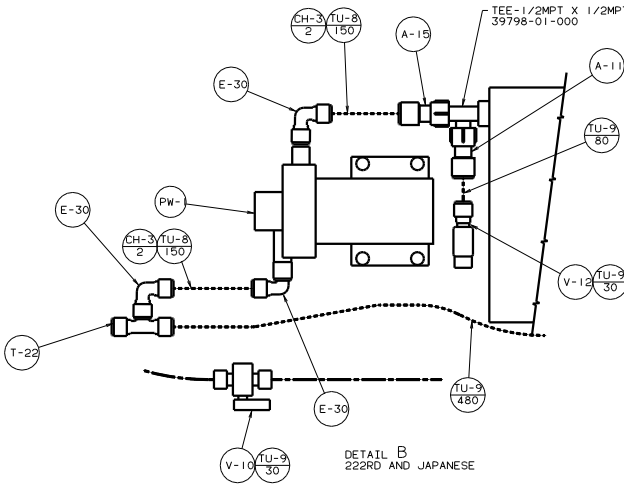
VIEW D-D 221RD

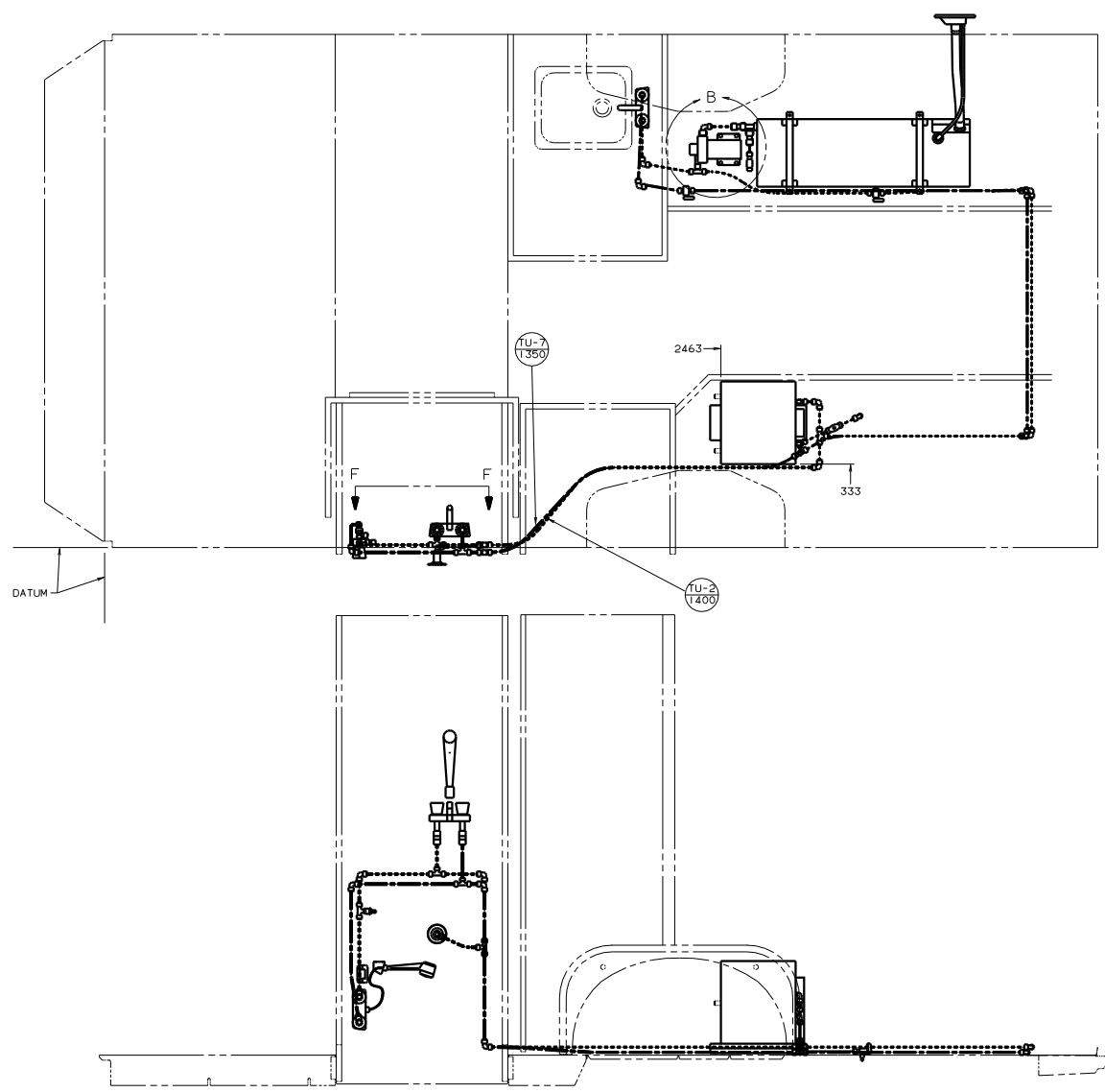
FOR WATER CALLOUTS SEE DWG NO. 116230-01-000

- (13) USE ON 98 MODELS.
  - (12) USE ON 97 MODELS.
  - (11) NOT REQUIRED WITH EXTERIOR SHOWER.
  - (10) USE WITH EXTERIOR SHOWER ONLY.
  - (9) USE WITHOUT SHOWER SUMP SYSTEM.
  - (8) PLUG DRAIN HOLES IN FLOOR WITHOUT WATER HEATER.
  - (7) USE WITH W.I.E. EXPORT PREP PACKAGE.
  - (6) NOT USED WITH W.I.E. EXPORT PREP PACKAGE.
  - (5) USE WITH 220V WATER HEATER PACKAGE.
  - (4) USE WITH SHOWER SUMP SYSTEM.
3. ALL TUBING TO BE SECURED AT 1200 INTERVALS MAXIMUM WITH CLAMP 10495-01-000 OR CLIP 91951-01-000 AND SCREW G67-10-12B.
2. TUBING TO BE INSTALLED WITH SUFFICIENT SLOPE TO PROVIDE DRAINAGE TO NEAREST VALVE.
1. PLASTIC FITTINGS TO BE SEALED WITH SEALANT 84456-01-000.

LEGEND	
HOT	-----
COLD	-----

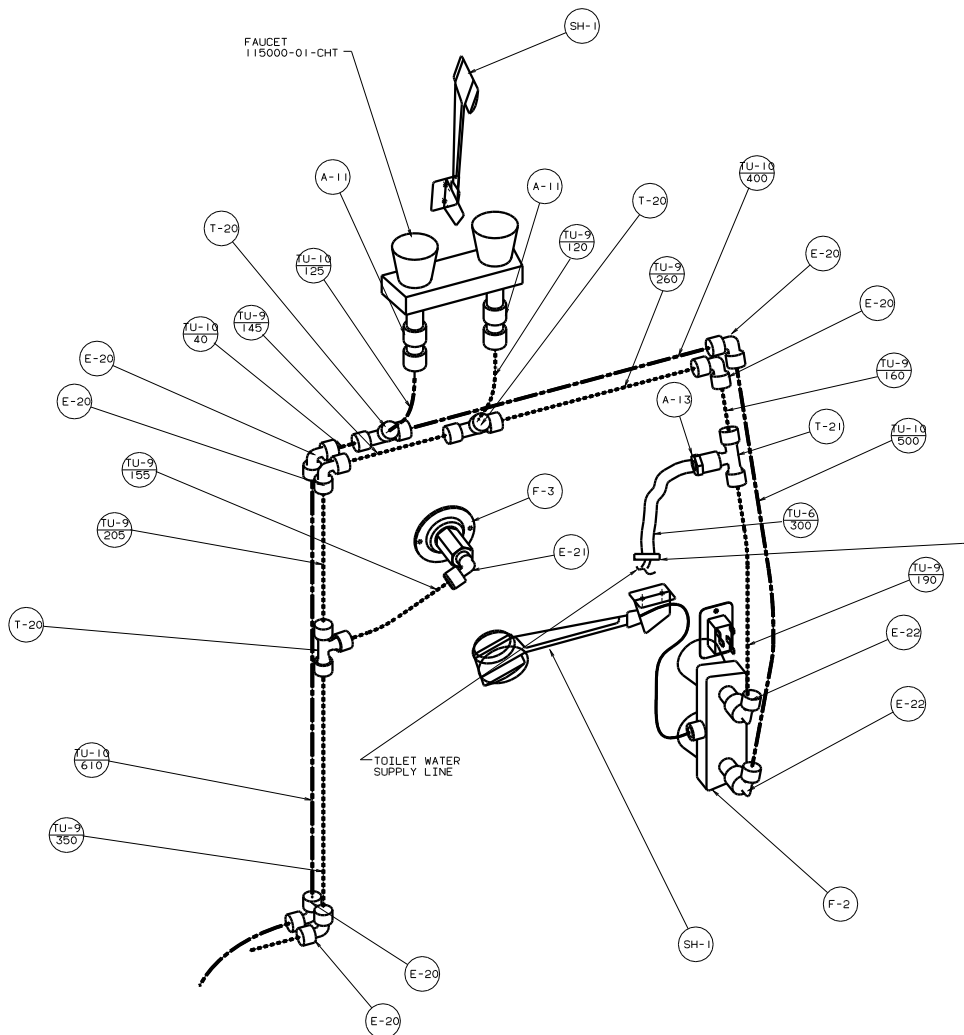
<b>WINNEBAGO</b>			97 H-SERIES
DATE	DATE	UNSPECIFIED TOLERANCES ARE:	MATERIAL
DATE	DATE	WHOLE DIM (IN)	F
DATE	DATE	ONE-PLACE (IN.X1)	
DATE	DATE	TWO-PLACE (IN.XXX)	
DATE	DATE	MILS	
DATE	DATE	THIRD-PLACE (IN.XXXXX)	
DATE	DATE	THIRD-PLACE (IN.XXXXX)	
DATE	DATE	THIRD-PLACE (IN.XXXXX)	
LAYOUT NO. W222		TITLE WATER SYSTEM INSTL	
REV A		SCALE: NONE	
NO. OF SHEETS 6		SHEET 1 OF 4	
ALL DIMENSIONS ARE IN MILLIMETERS		SHEET 1 OF 4	
REF: 112612		REV W	





97 222RD  
JAPAN EXPORT

TITLE: WATER SYSTEM INSTL	
DATE: 11/16	REV: 1
SHEET 3 OF 4	DWG NO: 124555



FITTING  
110934-02-000  
CLAMP  
62401-06-000(2)

VIEW F-F  
JAPANESE

TITLE		124555	
WATER SYSTEM INSTL			
NO. OF SHEETS	TOTAL SHEETS	DATE	REV.
4	4		