

- SINK 11029-03-000
- STRAINER 66437-02-000
- SEALER 69640-03-000
- TAILPIECE 11069-03-000
- ANGLE 107659-01-000(6)
- SCREW 667-10-16B(12)
- CSA ONLY

- BASIN-CATCH 112114-01-CHT
- STRAINER ASM 106116-01-CHT
- CSA ONLY

- SHROUD-DRAINAGE 117271-01-CHT
- SCREW 639-10-12B(4)
- ADAPTER 109571-02-000

- TANK-HOLDING 118979-02-000
- BRACKET-TANK-HOLDING 118980-02-CHT
- SCREW 639-10-08B(4)

- BRACKET-TANK-HOLDING 118980-02-CHT
- SCREW 639-10-08B(4)
- COUPLING 89355-01-000

- CLAMP-HOSE 62401-03-000 (2)

- TUBING 39800-02-000 (1370)

- TUBING-FLEX 112176-01-000 (950)

- TANK-HOLDING 111884-02-000

- TOILET 79565-01-CHT
- CSA ONLY

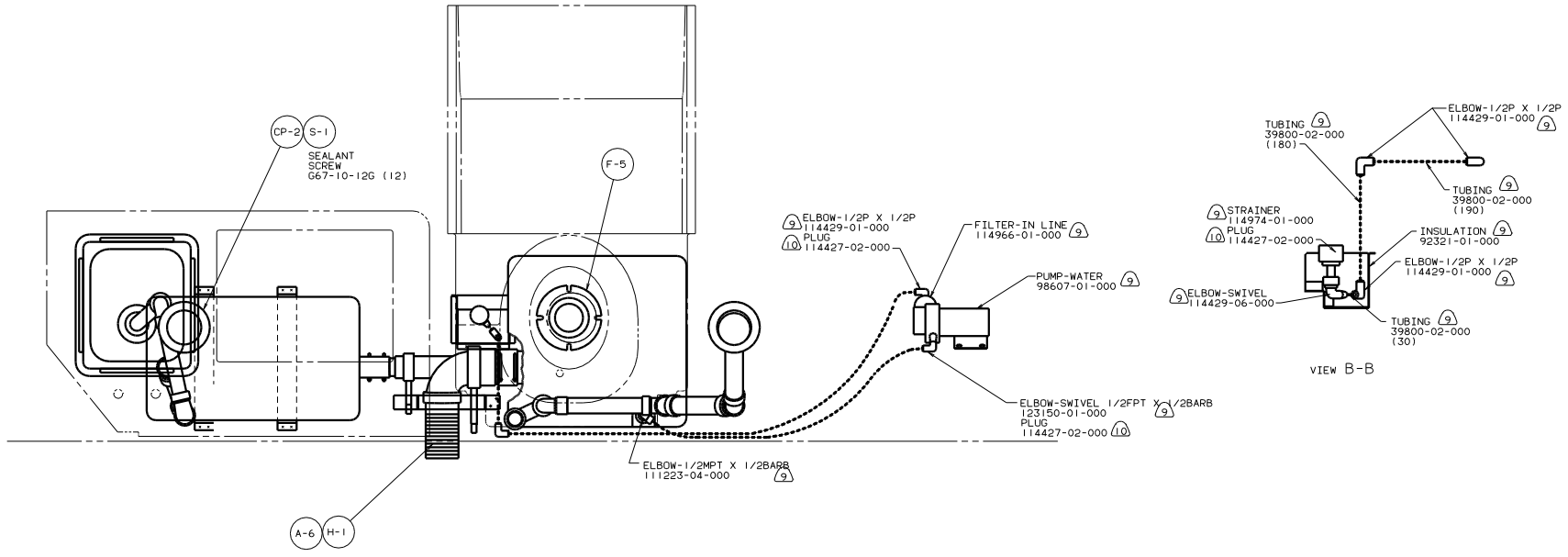
222RC/RT US/CANADIAN
 181 CODE STANDARDS-USA
 265 CODE STANDARDS-CSA

FOR DRAINAGE CALCULATIONS SEE DWG NO. 116229-01-000

5. EXPOSED PIPE ABOVE ROOF TO BE PAINTED 37163-01-000.
 4. ALL EXTERIOR OPENINGS AROUND PIPE TO BE SEALED WITH 69637-01-000.
 3. ALL PIPE AND FITTINGS TO BE ASSEMBLED WITH SOLVENT 4020-01-000.
 2. SLOPE OF TRAP ARM MUST BE 6 PER 305.
 1. SLOPE OF HORIZONTAL PIPING TO BE 6 PER 305 MIN.
- NOTES:
- 10 1A7 SHOWER PACKAGE WITHOUT.
 - 9 1A0 SHOWER PACKAGE.
 - 8 VENT PIPE MUST PROJECT 51 MM MIN AND 63.5 MM MAX ABOVE ROOF FOR PROPER FIT AND FUNCTION.
 - 7 SEE DWG 61607-01-000 FOR INSTALLATION OF GROMMET.
 - 6 FOR CANADIAN UNITS EACH HOLDING TANK SHALL HAVE A CSA APPROVAL STAMPED NEAR THE TAMPO APPROVAL.

13. SECURE PIPES TO CABINET USING WIRE TIE 108046-02-000 AND SCREW 667-10-12U (8).
- 12 NOT USED ON CANADIAN UNIT.
- 11 USE SCRAP CLOSED CELL NEOPRENE FROM 77075-01-02 OR -03 ON BRACKETS FOR VIBRATION DAMPENING.

DRAWING NO. 2221R16		TITLE: DRAINAGE SYSTEM INSTL	
DATE	DATE	DATE	DATE
BY	BY	BY	BY
CHECKED	CHECKED	CHECKED	CHECKED
SCALE	SCALE	SCALE	SCALE
SHEET 1 OF 2		DRAWING NO. 126232	
REF: 119111			



CP-2 S-1
SEALANT
SCREW
G67-10-12G (12)

F-5

ELBOW-1/2P X 1/2P
114429-01-000
PLUG
114427-02-000

FILTER-IN LINE
114966-01-000

PUMP-WATER
98607-01-000

ELBOW-SWIVEL 1/2FPT X 1/2BARB
123150-01-000
PLUG
114427-02-000

ELBOW-1/2MPT X 1/2BARB
111223-04-000

TUBING
39800-02-000
(180)

ELBOW-1/2P X 1/2P
114429-01-000

TUBING
39800-02-000
(190)

STRAINER
114974-01-000
PLUG
114427-02-000

INSULATION
92321-01-000

ELBOW-1/2P X 1/2P
114429-01-000

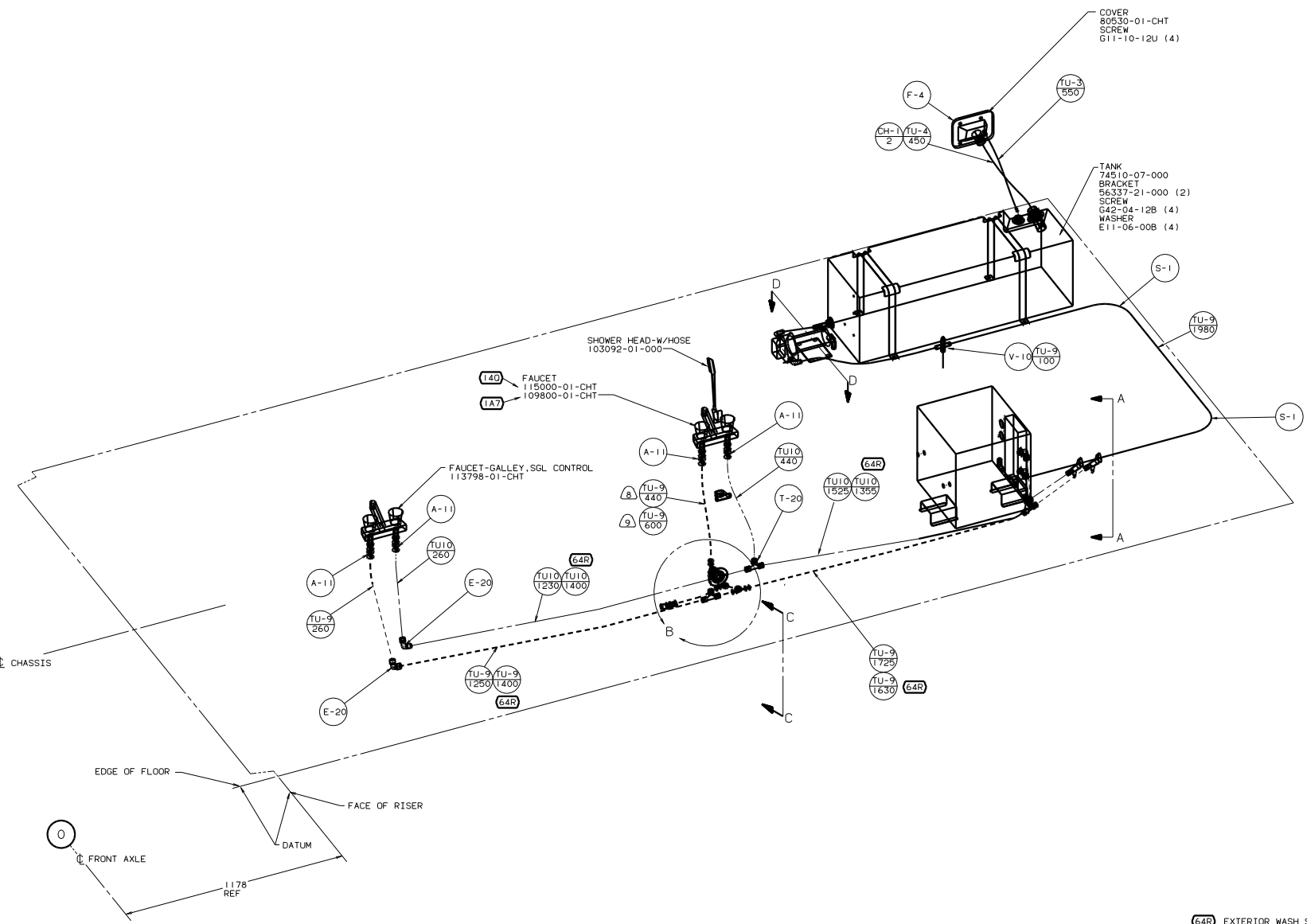
TUBING
39800-02-000
(30)

ELBOW-SWIVEL
114429-06-000

VIEW B-B

A-6 H-1

VIEW A-A



- 7 USE WITHOUT EXTERIOR SHOWER.
 6 USE WITH EXTERIOR SHOWER ONLY.
 5 USE WITHOUT SHOWER SUMP SYSTEM.
 4 USE WITH SHOWER SUMP SYSTEM.
3. ALL TUBING TO BE SECURED AT 1200 INTERVALS MAXIMUM WITH CLAMP 10495-01-000 OR CLIP 91951-01-000 AND SCREW G67-10-12B.
2. TUBING TO BE INSTALLED WITH SUFFICIENT SLOPE TO PROVIDE DRAINAGE TO NEAREST VALVE.
1. PLASTIC FITTINGS TO BE SEALED WITH SEALANT 84456-01-000

- 9 USE WITH WIE EXPORT PREP PACKAGE.
 8 USE WITHOUT W.I.E. EXPORT PREP PACKAGE.

- 64R EXTERIOR WASH STATION
 30V WATER HEATER-ELECTRONIC, EXP
 1A0 SHOWER PACKAGE
 1A7 SHOWER PACKAGE-WITHOUT

(X-X)
 FOR WATER CALLOUTS SEE DWG NO 116230-01-000

LEGEND	
HOT	=====
COLD	+++++

REVIT		DATE	UNDESIGNED TOLERANCES ARE:	MATERIAL
OMP	DATE	WHOLE DIM (IN)	.015	
DFE	DATE	ONE-PLACE (IN)	.001	
D/E	DATE	TWO-PLACE (IN)	.0005	
DATE	DATE	ANGLE	MINUS	
DATE	DATE	TWO-WHOLE	PROJECTOR	
DATE	DATE	DATE		

LAYOUT NO. WV222 TITLE: WATER SYSTEM INSTL
 99 222HD
 SHEET 1 OF 2
 131522

