

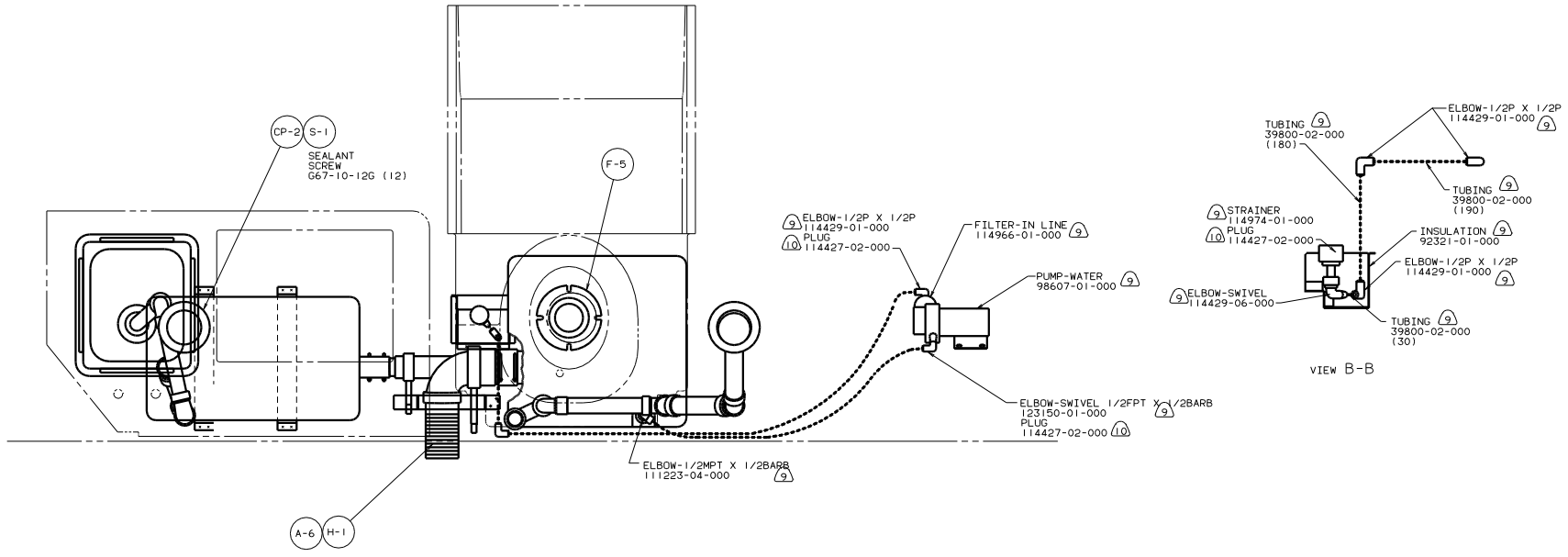
- 5. EXPOSED PIPE ABOVE ROOF TO BE PAINTED 37163-01-000.
  - 4. ALL EXTERIOR OPENINGS AROUND PIPE TO BE SEALED WITH 69637-01-000.
  - 3. ALL PIPE AND FITTINGS TO BE ASSEMBLED WITH SOLVENT 4020-01-000.
  - 2. SLOPE OF TRAP ARM MUST BE 6 PER 305.
  - 1. SLOPE OF HORIZONTAL PIPING TO BE 6 PER 305 MIN.
- (10) 1A7 SHOWER PACKAGE WITHOUT.
  - (9) 1A0 SHOWER PACKAGE.
  - (8) VENT PIPE MUST PROJECT 51 MM MIN AND 63.5 MM MAX ABOVE ROOF FOR PROPER FIT AND FUNCTION.
  - (7) SEE DWG 61607-01-000 FOR INSTALLATION OF GROMMET.
  - 6. FOR CANADIAN UNITS EACH HOLDING TANK SHALL HAVE A CSA APPROVAL STAMPED NEAR THE TAMPO APPROVAL.

- 13. SECURE PIPES TO CABINET USING WIRE TIE 108046-02-000 AND SCREW 667-10-12U (8).
- (12) NOT USED ON CANADIAN UNIT.
- (11) USE SCRAP CLOSED CELL NEOPRENE FROM 77075-01-02 OR -03 ON BRACKETS FOR VIBRATION DAMPENING.

FOR DRAINAGE CALCULATIONS SEE DWG NO. 116229-01-000

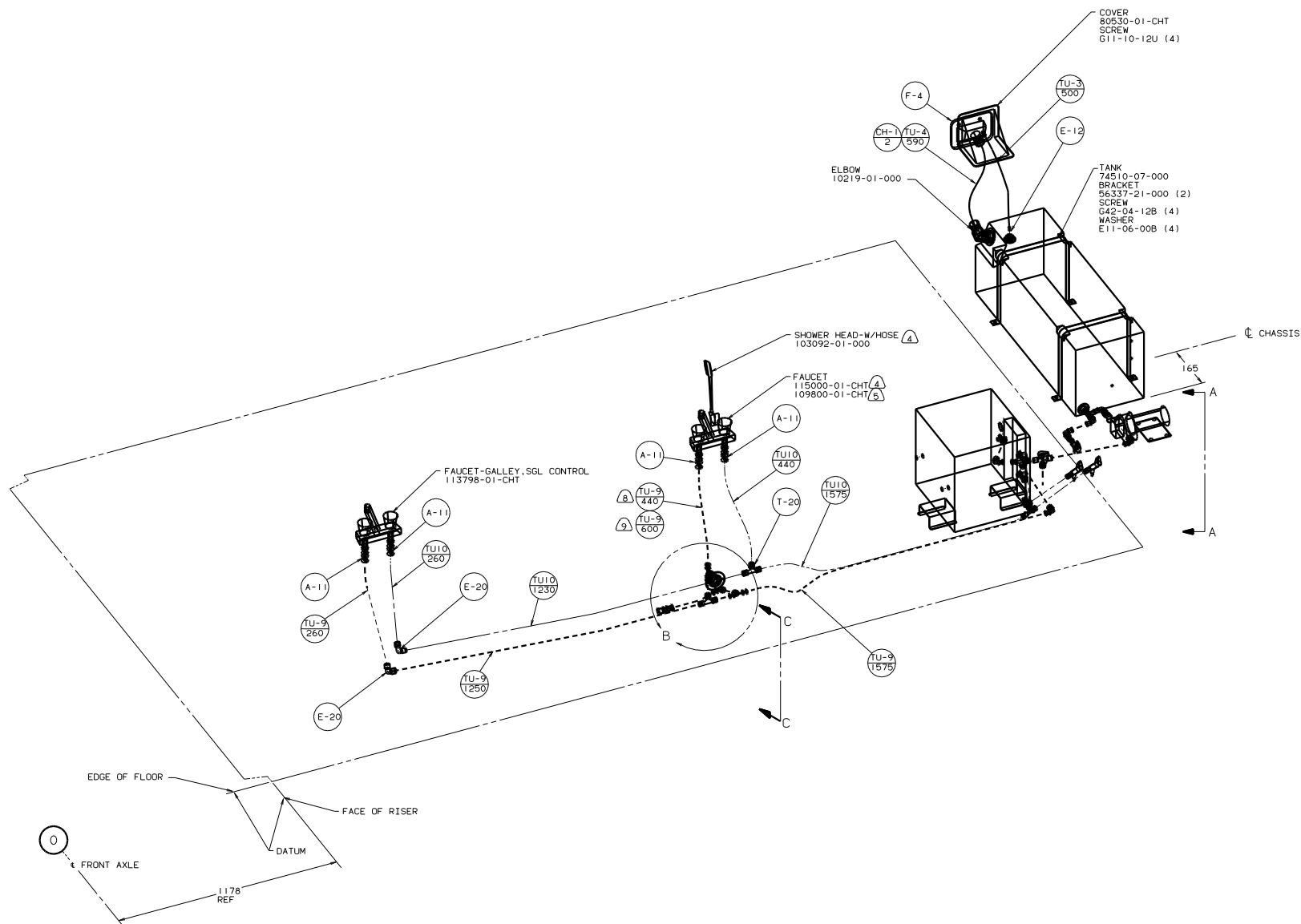
222RC/RT US/CANADIAN  
 181 CODE STANDARDS-USA  
 265 CODE STANDARDS-CSA

222IR16		TITLE: DRAINAGE SYSTEM INSTL	
DATE	DATE	UNDESIGNED TOLERANCES ARE:	MATERIAL:
DATE	DATE	WHOLE DIM (1)	F
DATE	DATE	ONE-PLACE (16.41)	.
DATE	DATE	TWO-PLACE (16.40)	.
DATE	DATE	THREE-PLACE (16.40)	.
DATE	DATE	FOUR-PLACE (16.40)	.
DATE	DATE	FIVE-PLACE (16.40)	.
DATE	DATE	SIX-PLACE (16.40)	.
DATE	DATE	SEVEN-PLACE (16.40)	.
DATE	DATE	EIGHT-PLACE (16.40)	.
DATE	DATE	NINE-PLACE (16.40)	.
DATE	DATE	TEN-PLACE (16.40)	.
DATE	DATE	ELEVEN-PLACE (16.40)	.
DATE	DATE	TWELVE-PLACE (16.40)	.
DATE	DATE	THIRTEEN-PLACE (16.40)	.
DATE	DATE	FOURTEEN-PLACE (16.40)	.
DATE	DATE	FIFTEEN-PLACE (16.40)	.
DATE	DATE	SIXTEEN-PLACE (16.40)	.
DATE	DATE	SEVENTEEN-PLACE (16.40)	.
DATE	DATE	EIGHTEEN-PLACE (16.40)	.
DATE	DATE	NINETEEN-PLACE (16.40)	.
DATE	DATE	TWENTY-PLACE (16.40)	.
DATE	DATE	TWENTY-ONE-PLACE (16.40)	.
DATE	DATE	TWENTY-TWO-PLACE (16.40)	.
DATE	DATE	TWENTY-THREE-PLACE (16.40)	.
DATE	DATE	TWENTY-FOUR-PLACE (16.40)	.
DATE	DATE	TWENTY-FIVE-PLACE (16.40)	.
DATE	DATE	TWENTY-SIX-PLACE (16.40)	.
DATE	DATE	TWENTY-SEVEN-PLACE (16.40)	.
DATE	DATE	TWENTY-EIGHT-PLACE (16.40)	.
DATE	DATE	TWENTY-NINE-PLACE (16.40)	.
DATE	DATE	THIRTY-PLACE (16.40)	.
DATE	DATE	THIRTY-ONE-PLACE (16.40)	.
DATE	DATE	THIRTY-TWO-PLACE (16.40)	.
DATE	DATE	THIRTY-THREE-PLACE (16.40)	.
DATE	DATE	THIRTY-FOUR-PLACE (16.40)	.
DATE	DATE	THIRTY-FIVE-PLACE (16.40)	.
DATE	DATE	THIRTY-SIX-PLACE (16.40)	.
DATE	DATE	THIRTY-SEVEN-PLACE (16.40)	.
DATE	DATE	THIRTY-EIGHT-PLACE (16.40)	.
DATE	DATE	THIRTY-NINE-PLACE (16.40)	.
DATE	DATE	FOURTY-PLACE (16.40)	.
DATE	DATE	FOURTY-ONE-PLACE (16.40)	.
DATE	DATE	FOURTY-TWO-PLACE (16.40)	.
DATE	DATE	FOURTY-THREE-PLACE (16.40)	.
DATE	DATE	FOURTY-FOUR-PLACE (16.40)	.
DATE	DATE	FOURTY-FIVE-PLACE (16.40)	.
DATE	DATE	FOURTY-SIX-PLACE (16.40)	.
DATE	DATE	FOURTY-SEVEN-PLACE (16.40)	.
DATE	DATE	FOURTY-EIGHT-PLACE (16.40)	.
DATE	DATE	FOURTY-NINE-PLACE (16.40)	.
DATE	DATE	FIFTY-PLACE (16.40)	.
DATE	DATE	FIFTY-ONE-PLACE (16.40)	.
DATE	DATE	FIFTY-TWO-PLACE (16.40)	.
DATE	DATE	FIFTY-THREE-PLACE (16.40)	.
DATE	DATE	FIFTY-FOUR-PLACE (16.40)	.
DATE	DATE	FIFTY-FIVE-PLACE (16.40)	.
DATE	DATE	FIFTY-SIX-PLACE (16.40)	.
DATE	DATE	FIFTY-SEVEN-PLACE (16.40)	.
DATE	DATE	FIFTY-EIGHT-PLACE (16.40)	.
DATE	DATE	FIFTY-NINE-PLACE (16.40)	.
DATE	DATE	SIXTY-PLACE (16.40)	.
DATE	DATE	SIXTY-ONE-PLACE (16.40)	.
DATE	DATE	SIXTY-TWO-PLACE (16.40)	.
DATE	DATE	SIXTY-THREE-PLACE (16.40)	.
DATE	DATE	SIXTY-FOUR-PLACE (16.40)	.
DATE	DATE	SIXTY-FIVE-PLACE (16.40)	.
DATE	DATE	SIXTY-SIX-PLACE (16.40)	.
DATE	DATE	SIXTY-SEVEN-PLACE (16.40)	.
DATE	DATE	SIXTY-EIGHT-PLACE (16.40)	.
DATE	DATE	SIXTY-NINE-PLACE (16.40)	.
DATE	DATE	SEVENTY-PLACE (16.40)	.
DATE	DATE	SEVENTY-ONE-PLACE (16.40)	.
DATE	DATE	SEVENTY-TWO-PLACE (16.40)	.
DATE	DATE	SEVENTY-THREE-PLACE (16.40)	.
DATE	DATE	SEVENTY-FOUR-PLACE (16.40)	.
DATE	DATE	SEVENTY-FIVE-PLACE (16.40)	.
DATE	DATE	SEVENTY-SIX-PLACE (16.40)	.
DATE	DATE	SEVENTY-SEVEN-PLACE (16.40)	.
DATE	DATE	SEVENTY-EIGHT-PLACE (16.40)	.
DATE	DATE	SEVENTY-NINE-PLACE (16.40)	.
DATE	DATE	EIGHTY-PLACE (16.40)	.
DATE	DATE	EIGHTY-ONE-PLACE (16.40)	.
DATE	DATE	EIGHTY-TWO-PLACE (16.40)	.
DATE	DATE	EIGHTY-THREE-PLACE (16.40)	.
DATE	DATE	EIGHTY-FOUR-PLACE (16.40)	.
DATE	DATE	EIGHTY-FIVE-PLACE (16.40)	.
DATE	DATE	EIGHTY-SIX-PLACE (16.40)	.
DATE	DATE	EIGHTY-SEVEN-PLACE (16.40)	.
DATE	DATE	EIGHTY-EIGHT-PLACE (16.40)	.
DATE	DATE	EIGHTY-NINE-PLACE (16.40)	.
DATE	DATE	NINETY-PLACE (16.40)	.
DATE	DATE	NINETY-ONE-PLACE (16.40)	.
DATE	DATE	NINETY-TWO-PLACE (16.40)	.
DATE	DATE	NINETY-THREE-PLACE (16.40)	.
DATE	DATE	NINETY-FOUR-PLACE (16.40)	.
DATE	DATE	NINETY-FIVE-PLACE (16.40)	.
DATE	DATE	NINETY-SIX-PLACE (16.40)	.
DATE	DATE	NINETY-SEVEN-PLACE (16.40)	.
DATE	DATE	NINETY-EIGHT-PLACE (16.40)	.
DATE	DATE	NINETY-NINE-PLACE (16.40)	.
DATE	DATE	HUNDRED-PLACE (16.40)	.



VIEW A-A

VIEW B-B



- (7) USE WITHOUT EXTERIOR SHOWER.
  - (6) USE WITH EXTERIOR SHOWER ONLY.
  - (5) USE WITHOUT SHOWER SUMP SYSTEM.
  - (4) USE WITH SHOWER SUMP SYSTEM.
  - (1) USE ON 98 MODELS.
  - (10) USE ON 97 MODELS.
  - (9) USE WITH WIE EXPORT PREP PACKAGE.
  - (8) USE WITHOUT W.I.E. EXPORT PREP PACKAGE.
3. ALL TUBING TO BE SECURED AT 1200 INTERVALS MAXIMUM WITH CLAMP 10495-01-000 OR CLIP 91951-01-000 AND SCREW G67-10-12B.
2. TUBING TO BE INSTALLED WITH SUFFICIENT SLOPE TO PROVIDE DRAINAGE TO NEAREST VALVE.
1. PLASTIC FITTINGS TO BE SEALED WITH SEALANT 84456-01-000
- NOTES:

X-X FOR WATER CALLOUTS SEE DWG NO. 116230-01-000

LEGEND	
HOT	*****
COLD	*****

<b>WINNEBAGO</b> 96 221RC			
DATE	DATE	UNSPECIFIED TOLERANCES ARE:	MATERIAL
DATE	DATE	ONE-PLACE (IN.X1)	
DATE	DATE	TWO-PLACE (IN.XX)	
DATE	DATE	TWO-PLACE (IN.XX)	
DATE	DATE	THIRD-PLACE (IN.XXX)	
DATE	DATE	THIRD-PLACE (IN.XXX)	
DATE	DATE	THIRD-PLACE (IN.XXX)	
DATE	DATE	THIRD-PLACE (IN.XXX)	

LANE NO 221R16 TITLE WATER SYSTEM INSTL  
REV # SCALE NOTE 20 XEE SCALE 3/8"=1'-0"  
ALL DIMENSIONS ARE IN MILLIMETERS SHEET 1 OF 2 1.0 119075

