

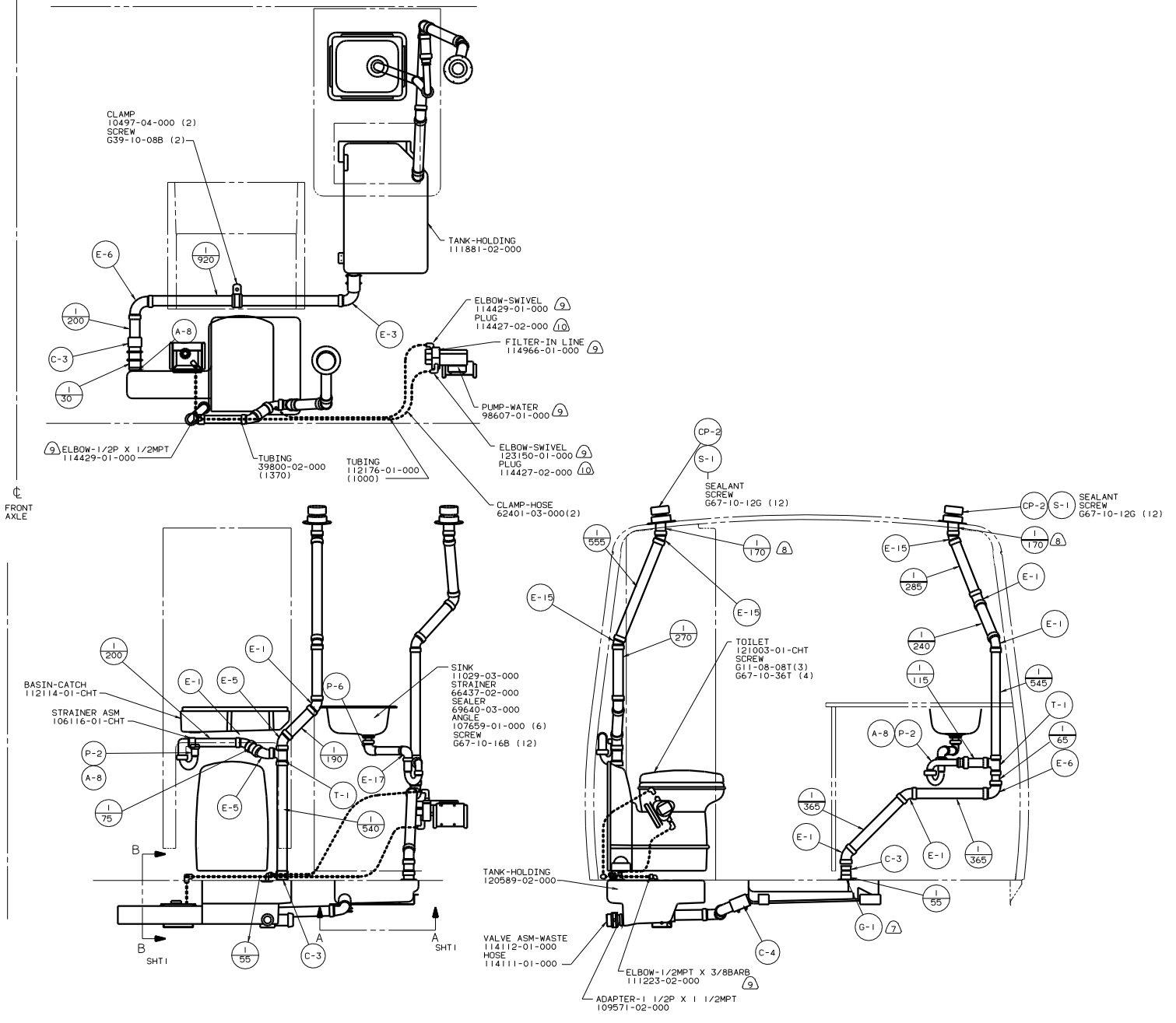
5. EXPOSED PIPE ABOVE ROOF TO BE PAINTED 37163-01-000.
4. ALL EXTERIOR OPENINGS AROUND PIPE TO BE SEALED WITH 69637-01-000.
3. ALL PIPE AND FITTINGS TO BE ASSEMBLED WITH SOLVENT 4020-01-000.
2. SLOPE OF TRAP ARM MUST BE 6 PER 305.
1. SLOPE OF HORIZONTAL PIPING TO BE 6 PER 305 MIN.

- (10) 1A7 SHOWER PACKAGE WITHOUT.
- (9) 1A0 SHOWER PACKAGE.
- (8) VENT PIPE MUST PROJECT 51 MIN AND 63.5 MAX ABOVE ROOF FOR PROPER FIT AND FUNCTION.
- (7) SEE DWG 61607-01-000 FOR INSTALLATION OF GROMMET.
- 6. FOR CAN UNITS EACH HOLDING TANK SHALL HAVE A CSA APPROVAL STAMPED NEAR THE IAMPO APPROVAL.
- (18) SECURE PIPES TO CABINET USING WIRE TIE 108046-02-000 AND SCREW 667-10-12U (8).
- (14) JAPAN ONLY.
- (13) NOT USED ON CANADIAN UNIT.
- (12) 265 CODE STANDARDS. CSA.
- (11) USE SCRAP CLOSED CELL NEOPRENE FROM 77075-01-02 OR -03 ON HAT CHANNELS FOR VIBRATION DAMPENING.

FOR DRAINAGE CALLOUTS SEE DWG NO. 116229-01-000

222 RD US/CANADIAN  
 1B1 CODE STANDARDS-USA  
 265 CODE STANDARDS-CSA

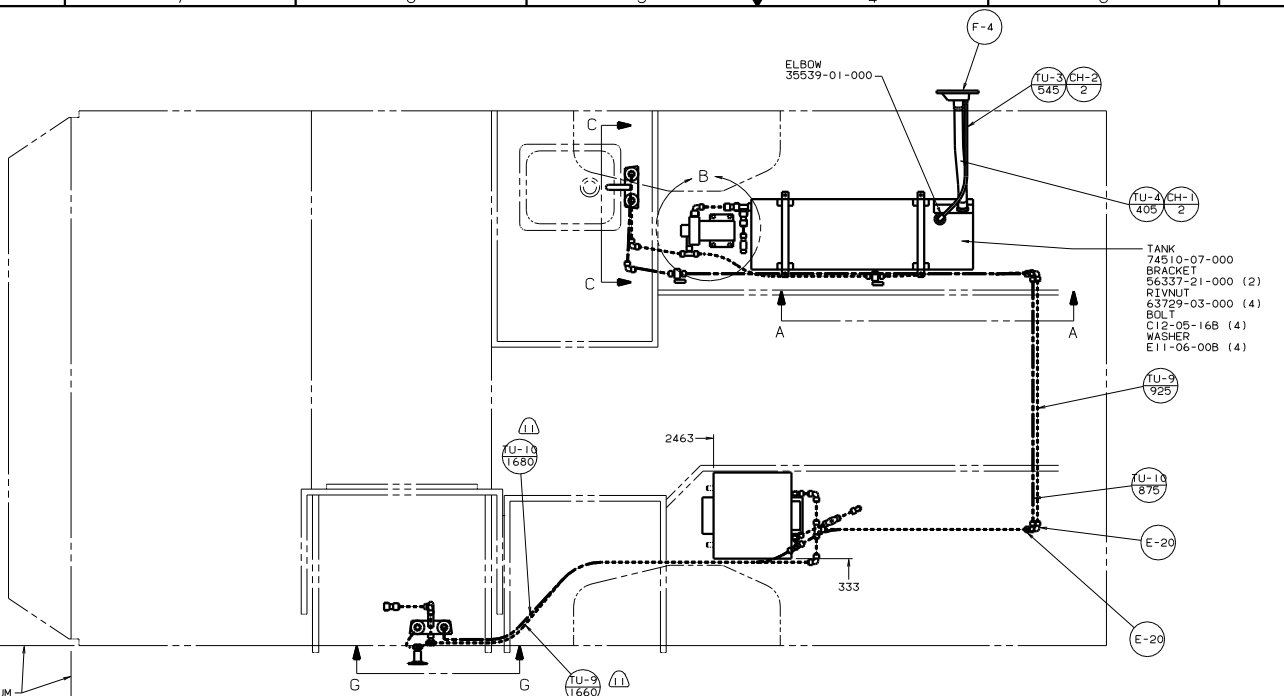
LAYOUT NO. 222RD7		TITLE: DRAINAGE SYSTEM INSTL	
DATE	DATE	UNDESIGNED TOLERANCES ARE:	MATERIAL
DATE	DATE	WHOLE DIM (IN)	F 3
DATE	DATE	ONE-PLACE (IN.X1)	F
DATE	DATE	TWO-PLACE (IN.XXX)	F
DATE	DATE	MILL	F
DATE	DATE	THIRD ANGLE PROJECTION	
DATE	DATE	SCALE	1:1
DATE	DATE	NO. OF SHEETS	1 OF 2
DATE	DATE	DESIGNER	126888



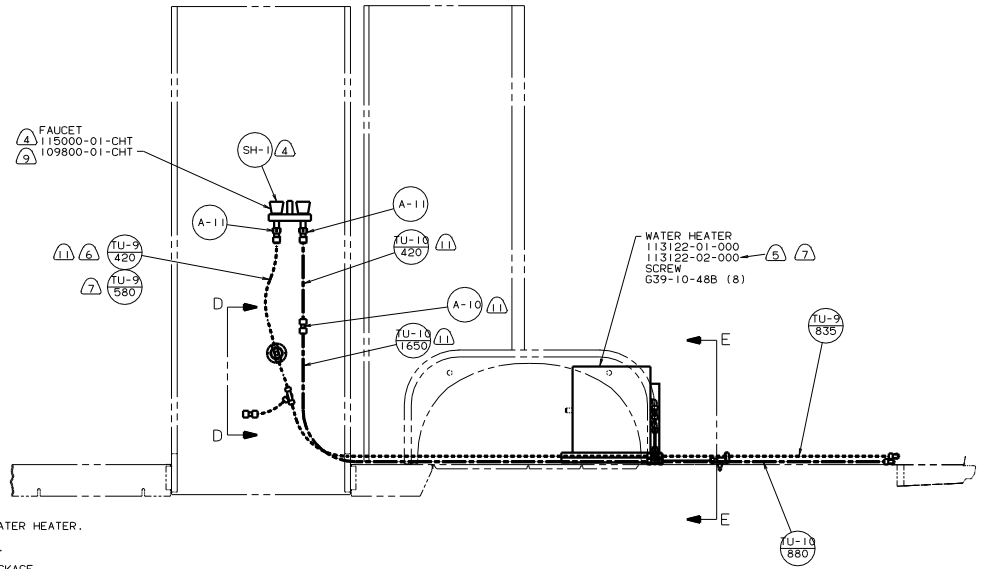
98 222RD  
JAPAN EXPORT

04L JAPAN EXPORT PKG

TITLE: DRAINAGE SYSTEM INSTL	
DO NOT SCALE DRAWING	FIG. NO. 1
SHEET 2 OF 2	126888

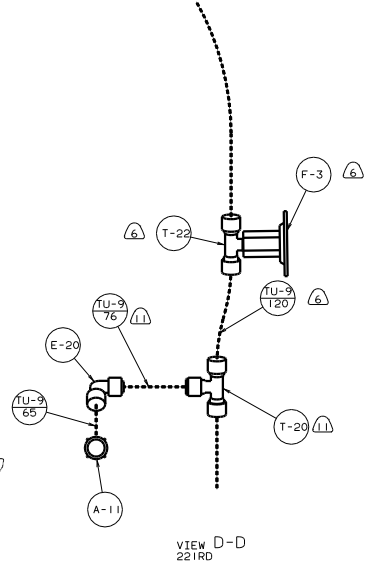


- TANK 74510-07-000
- BRACKET 56337-21-000 (2)
- RIVNUT 63729-03-000 (4)
- BOLT C12-05-168 (4)
- WASHER E11-06-00B (4)



- FAUCET 115000-01-CHT
- 109800-01-CHT

- WATER HEATER 113122-01-000
- 113122-02-000
- SCREW 639-10-48B (8)



FOR WATER CALLOUTS SEE DWG NO. 116230-01-000

- 1. PLASTIC FITTINGS TO BE SEALED WITH SEALANT 84456-01-000.
- 2. TUBING TO BE INSTALLED WITH SUFFICIENT SLOPE TO PROVIDE DRAINAGE TO NEAREST VALVE.
- 3. ALL TUBING TO BE SECURED AT 1200 INTERVALS MAXIMUM WITH CLAMP 10495-01-000 OR CLIP 91951-01-000 AND SCREW G67-10-12B.

LEGEND	
HOT	-----
COLD	.....

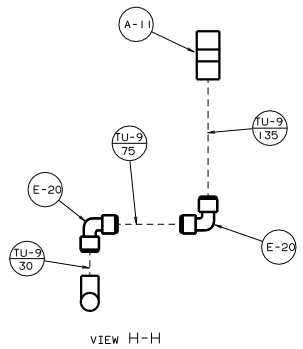
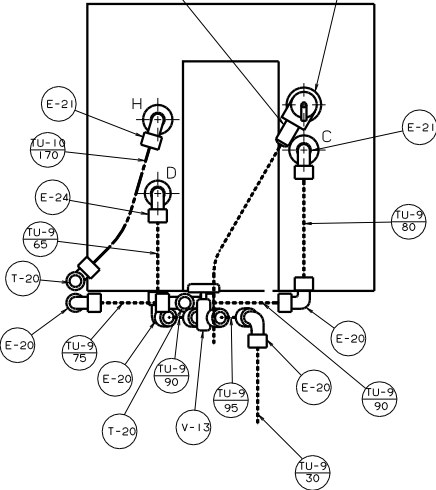
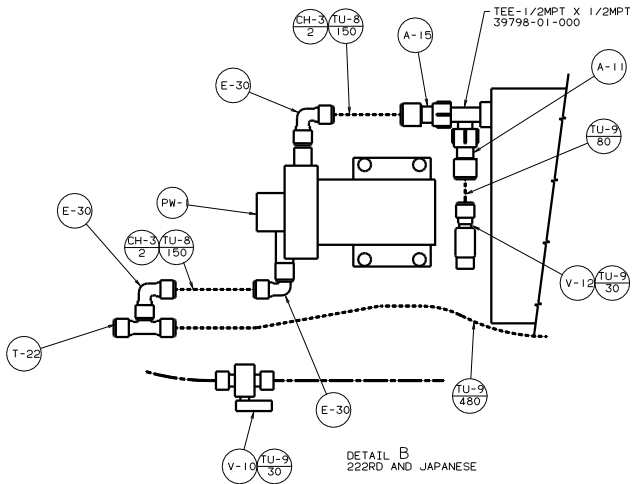
**WINNEBAGO** 97 H-SERIES

DATE	DATE	UNDESIGNED TOLERANCES ARE:	MATERIAL
DATE	DATE	FR. PL. (FR. PL.)	
DATE	DATE	FR. PL. (FR. PL.)	
DATE	DATE	FR. PL. (FR. PL.)	
DATE	DATE	FR. PL. (FR. PL.)	
DATE	DATE	FR. PL. (FR. PL.)	
DATE	DATE	FR. PL. (FR. PL.)	

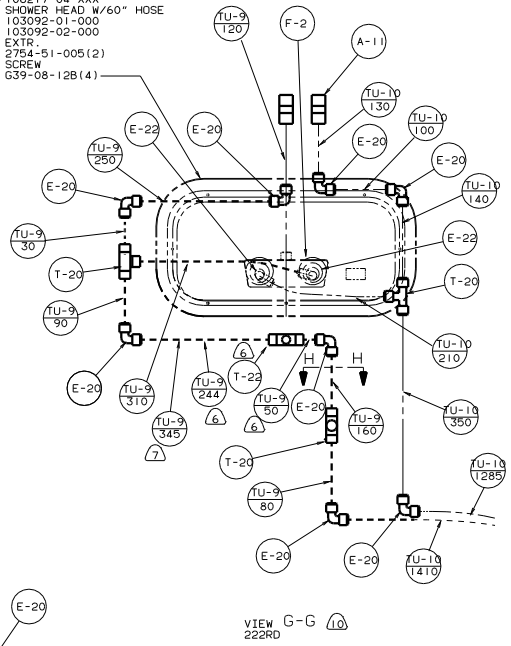
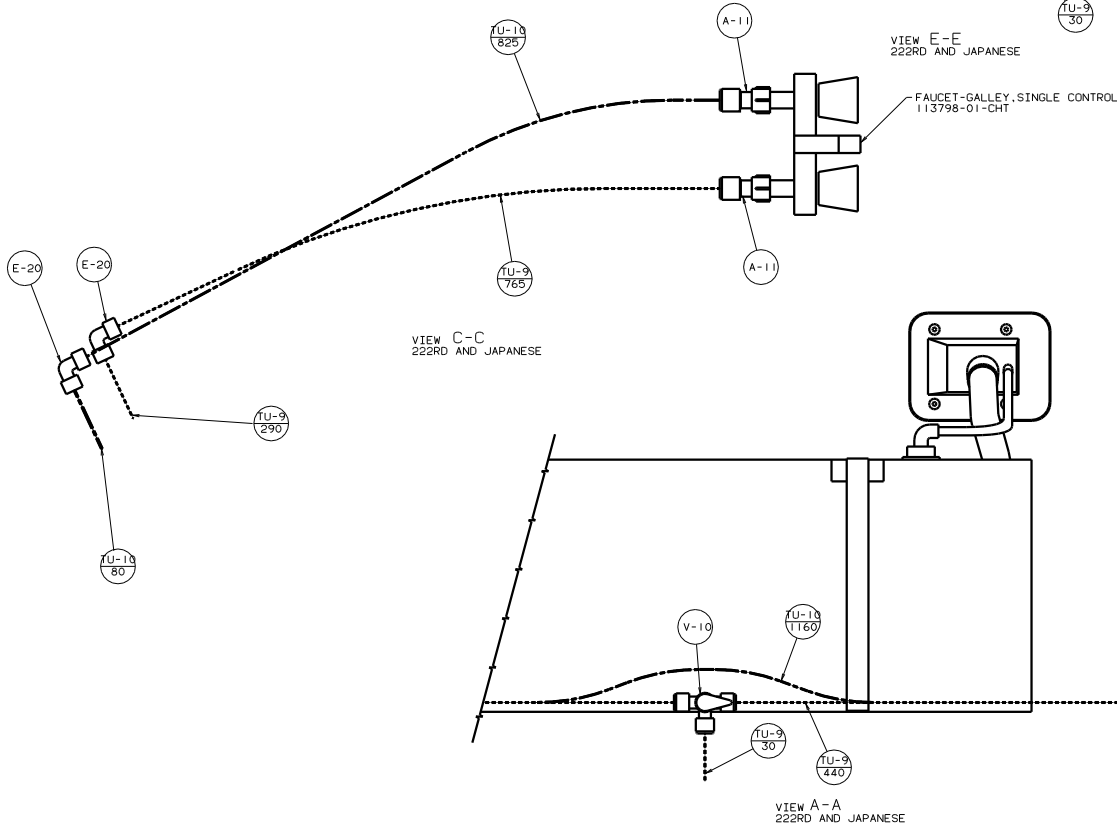
LANO: WV222 TITLE: WATER SYSTEM INSTL  
 SHEET 1 OF 4  
 REF: 112612 | REV W

FITTING-BRASS  
90338-03-000  
HOSE  
7108-02-000  
(400)  
CLAMP  
62401-04-000

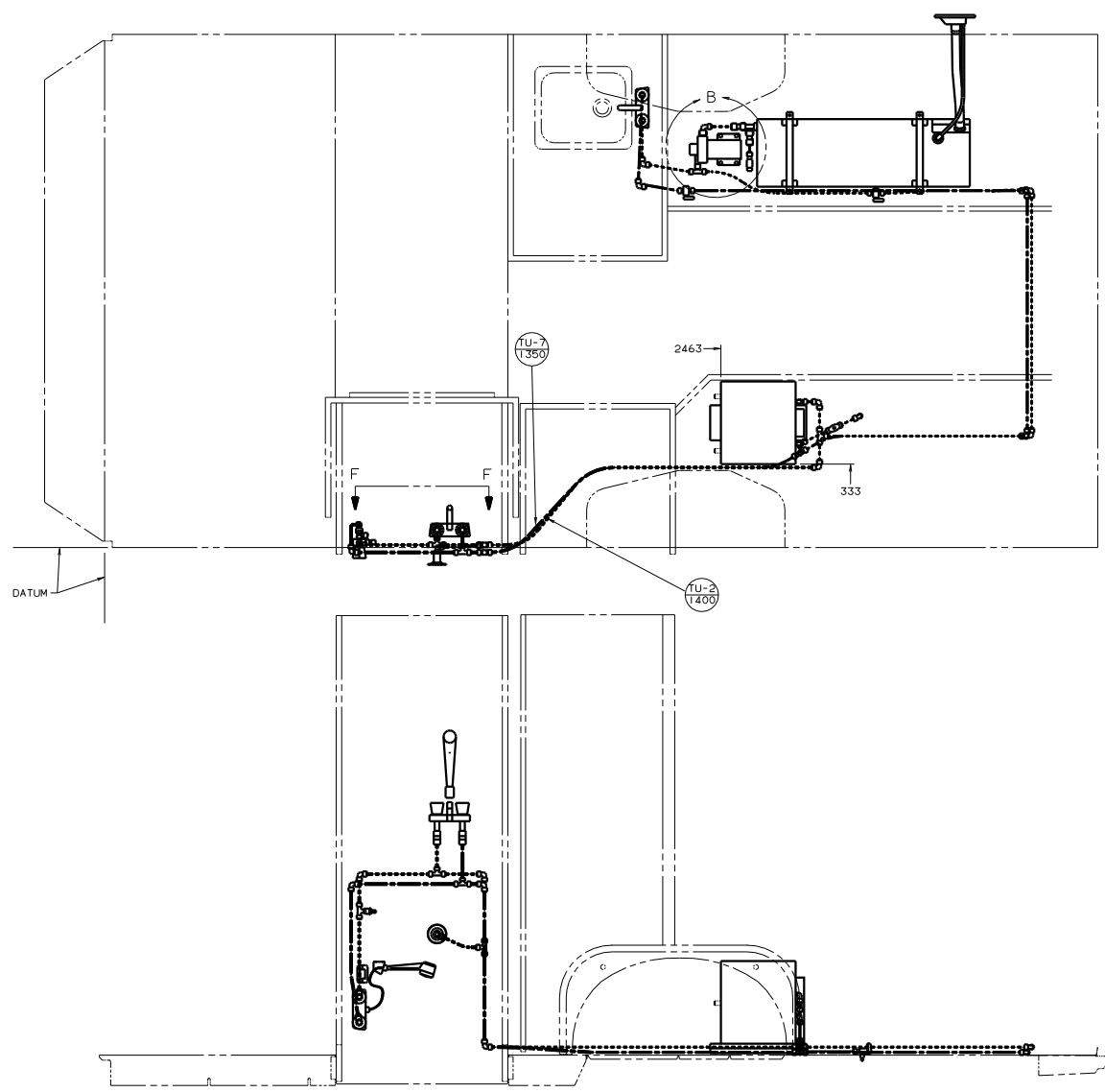
RELIEF VALVE  
(SUPPLIED WITH  
WATER HEATER)



COMPARTMENT ASM-SHOWER EXT  
120615-01-XXX (JAPANESE)  
106217-02-XXX  
106217-04-XXX  
SHOWER HEAD W/60" HOSE  
103092-01-000  
103092-02-000  
EXTR.  
2754-51-005(2)  
SCREW  
639-08-12B(4)

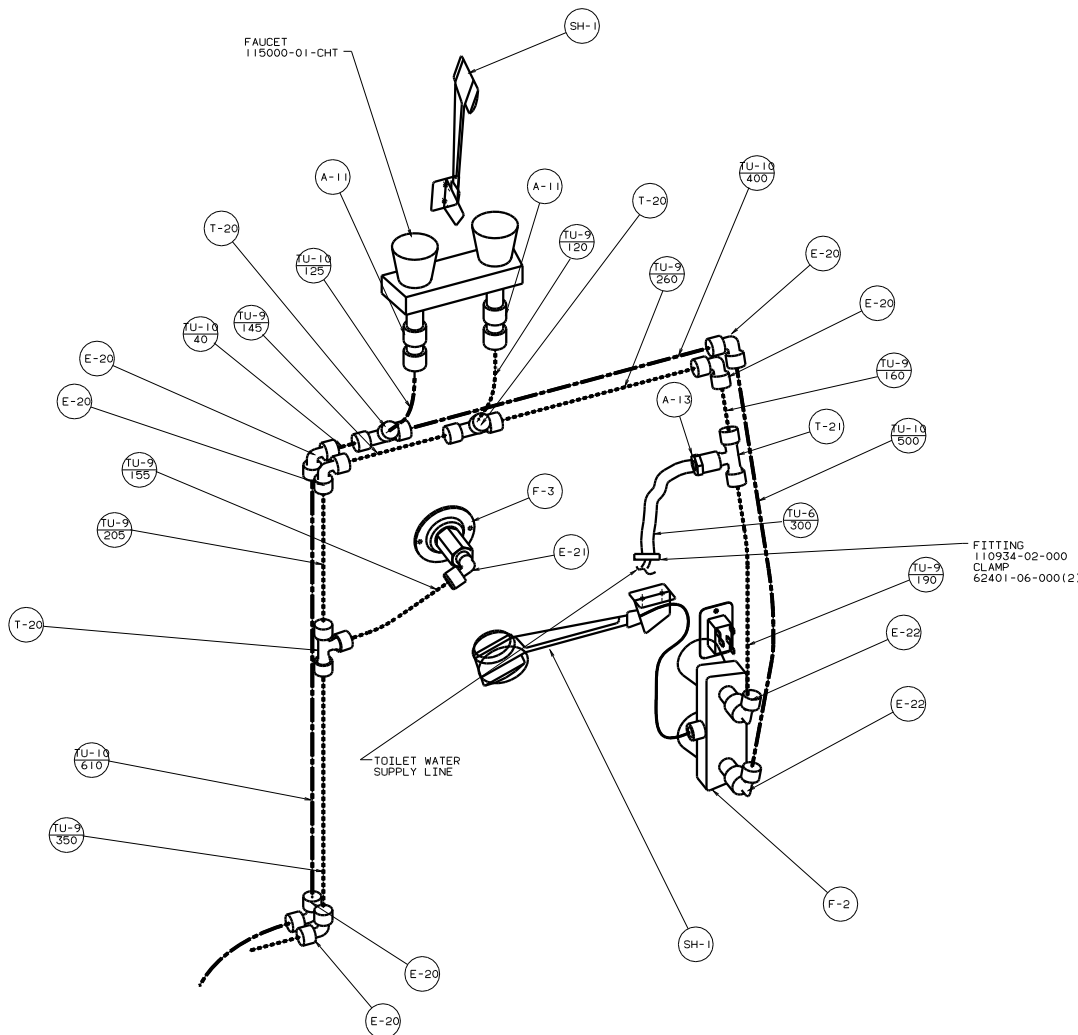


TITLE	WATER SYSTEM INSTL	
30 X 30 SCALE EXCEPT	FIG. NO.	124555
SHEET 2 OF 4	REV.	



97 222RD  
JAPAN EXPORT

TITLE: WATER SYSTEM INSTL	
DATE: 11/16	REV: 1.0
SHEET 3 OF 4	DWG NO: 124555



VIEW F-F  
JAPANESE

TITLE		124555	
WATER SYSTEM INSTL			
NO. OF SHEETS	TOTAL SHEETS	DATE	REV.
4	4		