

FRONT OF VEHICLE

SINK
 11029-03-000
 STRAINER
 66437-02-000
 SEALER
 69640-03-000
 TAILPIECE
 11069-03-000
 ANGLE
 107659-01-000 (4)
 SCREW
 G67-10-16B (6)
 CSA ONLY

BASIN-CATCH
 112114-01-CHT
 STRAINER ASM
 106116-01-CHT

CSA ONLY

SHROUD-DRAINAGE
 117271-01-CHT
 SCREW
 G39-10-12B (4)

ADAPTER
 109571-02-000

TANK-HOLDING
 118979-02-000

BRACKET-TANK-HOLDING
 118980-02-CHT
 SCREW
 G39-10-08B (4)

BRACKET-TANK-HOLDING
 118980-02-CHT
 SCREW
 G39-10-08B (4)

COUPLING
 89355-01-000

CLAMP-HOSE
 62401-03-000 (2)

TUBING
 39800-02-000
 (1370)

TUBING-FLEX
 112176-01-000
 (950)

TANK-HOLDING
 111884-02-000

SEALANT-SCREW
 G67-10-12G (12)

TOILET
 79565-01-CHT

222RC/RT US/CANADIAN
 181 CODE STANDARDS-USA
 265 CODE STANDARDS-CSA

FOR DRAINAGE CALLOUTS SEE DWG NO. 116229-01-000

5. EXPOSED PIPE ABOVE ROOF TO BE PAINTED 37163-01-000.
4. ALL EXTERIOR OPENINGS AROUND PIPE TO BE SEALED WITH 69637-01-000.
3. ALL PIPE AND FITTINGS TO BE ASSEMBLED WITH SOLVENT 4020-01-000.
2. SLOPE OF TRAP ARM MUST BE 6 PER 305.
1. SLOPE OF HORIZONTAL PIPING TO BE 6 PER 305 MIN.

10. 1A7 SHOWER PACKAGE WITHOUT.
9. 1A0 SHOWER PACKAGE.
8. VENT PIPE MUST PROJECT 51 MM MIN AND 63.5 MM MAX ABOVE ROOF FOR PROPER FIT AND FUNCTION.
7. SEE DWG 61607-01-000 FOR INSTALLATION OF GROMMET.
6. FOR CANADIAN UNITS EACH HOLDING TANK SHALL HAVE A CSA APPROVAL STAMPED NEAR THE TAMPO APPROVAL.

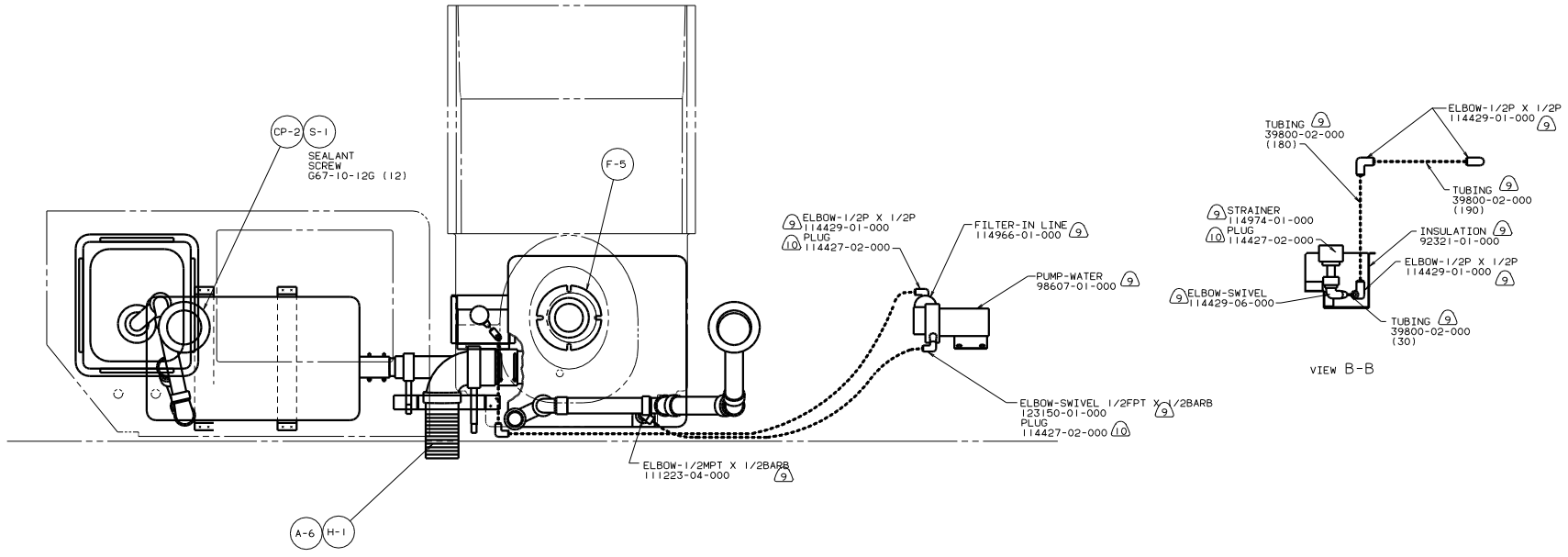
13. SECURE PIPES TO CABINET USING WIRE TIE 108046-02-000 AND SCREW G67-10-12U (8).
12. NOT USED ON CANADIAN UNIT.
11. USE SCRAP CLOSED CELL NEOPRENE FROM 77075-01-02 OR -03 ON BRACKETS FOR VIBRATION DAMPENING.

WINNEBAGO 97 222 RC/RT

OF IN	DATE	UNDESIGNED TOLERANCES ARE:	MATERIAL
CHP	DATE	HOLE DIA (H)	H
HP	DATE	ONE-PLACE (H,X)	H
PL	DATE	TWO-PLACE (H,X)	H
PL	DATE	MIG	H
COUP	DATE	THRU W/OLE PROJECTION	H

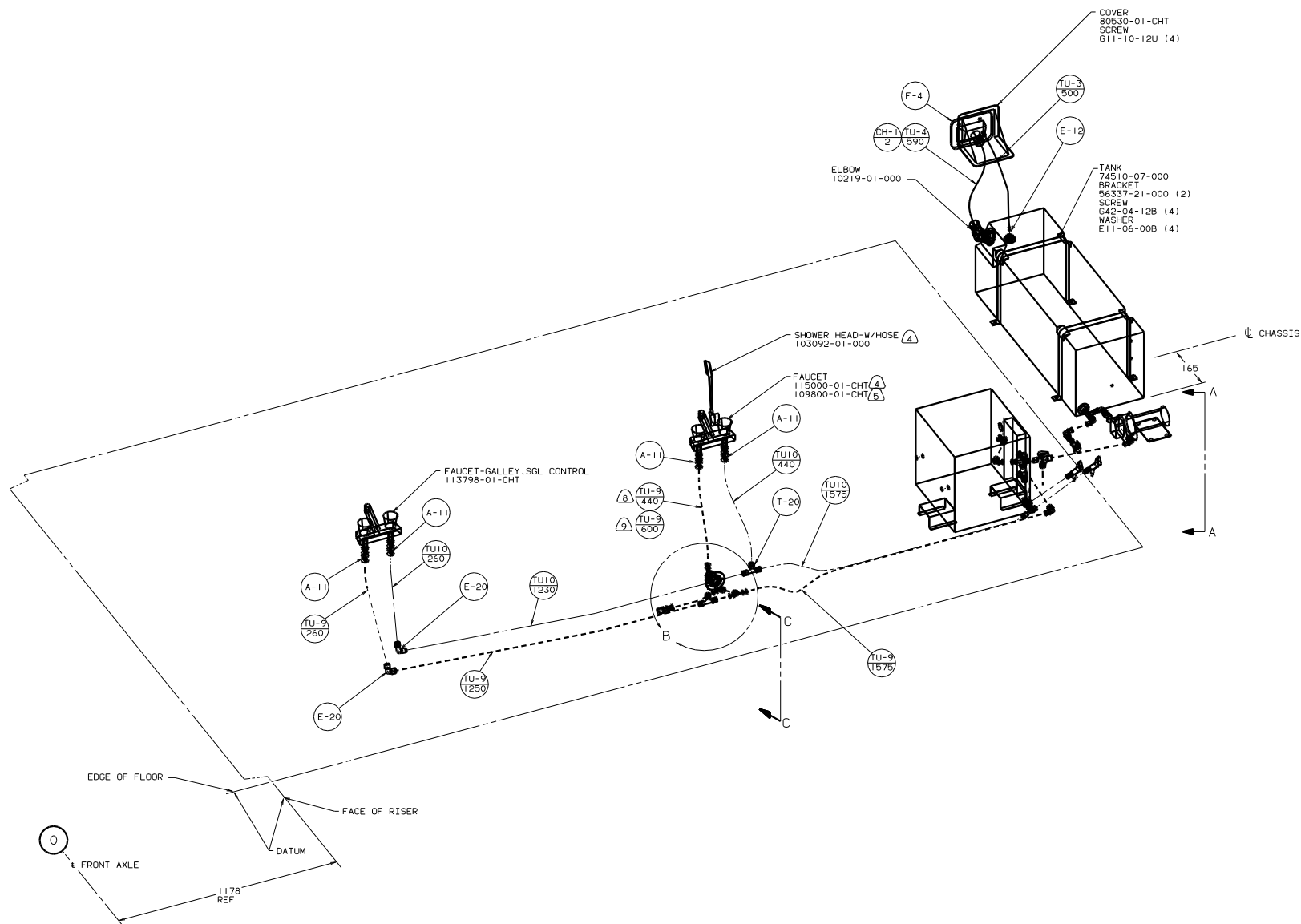
DRAINAGE SYSTEM INSTL

126232



VIEW A-A

VIEW B-B



- (7) USE WITHOUT EXTERIOR SHOWER.
 - (6) USE WITH EXTERIOR SHOWER ONLY.
 - (5) USE WITHOUT SHOWER SUMP SYSTEM.
 - (4) USE WITH SHOWER SUMP SYSTEM.
 - (1) USE ON 98 MODELS.
 - (10) USE ON 97 MODELS.
 - (9) USE WITH WIE EXPORT PREP PACKAGE.
 - (8) USE WITHOUT W.I.E. EXPORT PREP PACKAGE.
3. ALL TUBING TO BE SECURED AT 1200 INTERVALS MAXIMUM WITH CLAMP 10495-01-000 OR CLIP 91951-01-000 AND SCREW G67-10-12B.
2. TUBING TO BE INSTALLED WITH SUFFICIENT SLOPE TO PROVIDE DRAINAGE TO NEAREST VALVE.
1. PLASTIC FITTINGS TO BE SEALED WITH SEALANT 84456-01-000

FOR WATER CALLOUTS SEE DWG NO. 116230-01-000

LEGEND	
HOT	—————
COLD	—————

WATER SYSTEM INSTL		96 221RC	
DATE	DATE	UNDESIGNED TOLERANCES ARE:	MATERIAL
DATE	DATE	ONE-PLACE (X.X1)	
DATE	DATE	TWO-PLACE (X.XX)	
DATE	DATE	THREE-PLACE (X.XXX)	
DATE	DATE	FOUR-PLACE (X.XXXX)	
DATE	DATE	FIVE-PLACE (X.XXXXX)	
DATE	DATE	SIX-PLACE (X.XXXXXX)	
DATE	DATE	SEVEN-PLACE (X.XXXXXXX)	
DATE	DATE	EIGHT-PLACE (X.XXXXXXX)	
DATE	DATE	NINE-PLACE (X.XXXXXXX)	
DATE	DATE	TEN-PLACE (X.XXXXXXX)	
DATE	DATE	ELEVEN-PLACE (X.XXXXXXX)	
DATE	DATE	TWELVE-PLACE (X.XXXXXXX)	
DATE	DATE	THIRTEEN-PLACE (X.XXXXXXX)	
DATE	DATE	FOURTEEN-PLACE (X.XXXXXXX)	
DATE	DATE	FIFTEEN-PLACE (X.XXXXXXX)	
DATE	DATE	SIXTEEN-PLACE (X.XXXXXXX)	
DATE	DATE	SEVENTEEN-PLACE (X.XXXXXXX)	
DATE	DATE	EIGHTEEN-PLACE (X.XXXXXXX)	
DATE	DATE	NINETEEN-PLACE (X.XXXXXXX)	
DATE	DATE	TWENTY-PLACE (X.XXXXXXX)	
DATE	DATE	TWENTY-ONE-PLACE (X.XXXXXXX)	
DATE	DATE	TWENTY-TWO-PLACE (X.XXXXXXX)	
DATE	DATE	TWENTY-THREE-PLACE (X.XXXXXXX)	
DATE	DATE	TWENTY-FOUR-PLACE (X.XXXXXXX)	
DATE	DATE	TWENTY-FIVE-PLACE (X.XXXXXXX)	
DATE	DATE	TWENTY-SIX-PLACE (X.XXXXXXX)	
DATE	DATE	TWENTY-SEVEN-PLACE (X.XXXXXXX)	
DATE	DATE	TWENTY-EIGHT-PLACE (X.XXXXXXX)	
DATE	DATE	TWENTY-NINE-PLACE (X.XXXXXXX)	
DATE	DATE	THIRTY-PLACE (X.XXXXXXX)	
DATE	DATE	THIRTY-ONE-PLACE (X.XXXXXXX)	
DATE	DATE	THIRTY-TWO-PLACE (X.XXXXXXX)	
DATE	DATE	THIRTY-THREE-PLACE (X.XXXXXXX)	
DATE	DATE	THIRTY-FOUR-PLACE (X.XXXXXXX)	
DATE	DATE	THIRTY-FIVE-PLACE (X.XXXXXXX)	
DATE	DATE	THIRTY-SIX-PLACE (X.XXXXXXX)	
DATE	DATE	THIRTY-SEVEN-PLACE (X.XXXXXXX)	
DATE	DATE	THIRTY-EIGHT-PLACE (X.XXXXXXX)	
DATE	DATE	THIRTY-NINE-PLACE (X.XXXXXXX)	
DATE	DATE	FOURTY-PLACE (X.XXXXXXX)	
DATE	DATE	FOURTY-ONE-PLACE (X.XXXXXXX)	
DATE	DATE	FOURTY-TWO-PLACE (X.XXXXXXX)	
DATE	DATE	FOURTY-THREE-PLACE (X.XXXXXXX)	
DATE	DATE	FOURTY-FOUR-PLACE (X.XXXXXXX)	
DATE	DATE	FOURTY-FIVE-PLACE (X.XXXXXXX)	
DATE	DATE	FOURTY-SIX-PLACE (X.XXXXXXX)	
DATE	DATE	FOURTY-SEVEN-PLACE (X.XXXXXXX)	
DATE	DATE	FOURTY-EIGHT-PLACE (X.XXXXXXX)	
DATE	DATE	FOURTY-NINE-PLACE (X.XXXXXXX)	
DATE	DATE	FIFTY-PLACE (X.XXXXXXX)	
DATE	DATE	FIFTY-ONE-PLACE (X.XXXXXXX)	
DATE	DATE	FIFTY-TWO-PLACE (X.XXXXXXX)	
DATE	DATE	FIFTY-THREE-PLACE (X.XXXXXXX)	
DATE	DATE	FIFTY-FOUR-PLACE (X.XXXXXXX)	
DATE	DATE	FIFTY-FIVE-PLACE (X.XXXXXXX)	
DATE	DATE	FIFTY-SIX-PLACE (X.XXXXXXX)	
DATE	DATE	FIFTY-SEVEN-PLACE (X.XXXXXXX)	
DATE	DATE	FIFTY-EIGHT-PLACE (X.XXXXXXX)	
DATE	DATE	FIFTY-NINE-PLACE (X.XXXXXXX)	
DATE	DATE	SIXTY-PLACE (X.XXXXXXX)	
DATE	DATE	SIXTY-ONE-PLACE (X.XXXXXXX)	
DATE	DATE	SIXTY-TWO-PLACE (X.XXXXXXX)	
DATE	DATE	SIXTY-THREE-PLACE (X.XXXXXXX)	
DATE	DATE	SIXTY-FOUR-PLACE (X.XXXXXXX)	
DATE	DATE	SIXTY-FIVE-PLACE (X.XXXXXXX)	
DATE	DATE	SIXTY-SIX-PLACE (X.XXXXXXX)	
DATE	DATE	SIXTY-SEVEN-PLACE (X.XXXXXXX)	
DATE	DATE	SIXTY-EIGHT-PLACE (X.XXXXXXX)	
DATE	DATE	SIXTY-NINE-PLACE (X.XXXXXXX)	
DATE	DATE	SEVENTY-PLACE (X.XXXXXXX)	
DATE	DATE	SEVENTY-ONE-PLACE (X.XXXXXXX)	
DATE	DATE	SEVENTY-TWO-PLACE (X.XXXXXXX)	
DATE	DATE	SEVENTY-THREE-PLACE (X.XXXXXXX)	
DATE	DATE	SEVENTY-FOUR-PLACE (X.XXXXXXX)	
DATE	DATE	SEVENTY-FIVE-PLACE (X.XXXXXXX)	
DATE	DATE	SEVENTY-SIX-PLACE (X.XXXXXXX)	
DATE	DATE	SEVENTY-SEVEN-PLACE (X.XXXXXXX)	
DATE	DATE	SEVENTY-EIGHT-PLACE (X.XXXXXXX)	
DATE	DATE	SEVENTY-NINE-PLACE (X.XXXXXXX)	
DATE	DATE	EIGHTY-PLACE (X.XXXXXXX)	
DATE	DATE	EIGHTY-ONE-PLACE (X.XXXXXXX)	
DATE	DATE	EIGHTY-TWO-PLACE (X.XXXXXXX)	
DATE	DATE	EIGHTY-THREE-PLACE (X.XXXXXXX)	
DATE	DATE	EIGHTY-FOUR-PLACE (X.XXXXXXX)	
DATE	DATE	EIGHTY-FIVE-PLACE (X.XXXXXXX)	
DATE	DATE	EIGHTY-SIX-PLACE (X.XXXXXXX)	
DATE	DATE	EIGHTY-SEVEN-PLACE (X.XXXXXXX)	
DATE	DATE	EIGHTY-EIGHT-PLACE (X.XXXXXXX)	
DATE	DATE	EIGHTY-NINE-PLACE (X.XXXXXXX)	
DATE	DATE	NINETY-PLACE (X.XXXXXXX)	
DATE	DATE	NINETY-ONE-PLACE (X.XXXXXXX)	
DATE	DATE	NINETY-TWO-PLACE (X.XXXXXXX)	
DATE	DATE	NINETY-THREE-PLACE (X.XXXXXXX)	
DATE	DATE	NINETY-FOUR-PLACE (X.XXXXXXX)	
DATE	DATE	NINETY-FIVE-PLACE (X.XXXXXXX)	
DATE	DATE	NINETY-SIX-PLACE (X.XXXXXXX)	
DATE	DATE	NINETY-SEVEN-PLACE (X.XXXXXXX)	
DATE	DATE	NINETY-EIGHT-PLACE (X.XXXXXXX)	
DATE	DATE	NINETY-NINE-PLACE (X.XXXXXXX)	
DATE	DATE	HUNDRED-PLACE (X.XXXXXXX)	

