

X-X FOR DRAINAGE CALLOUTS SEE DWG NO. 116229-01-000

222 RD US/CANADIAN

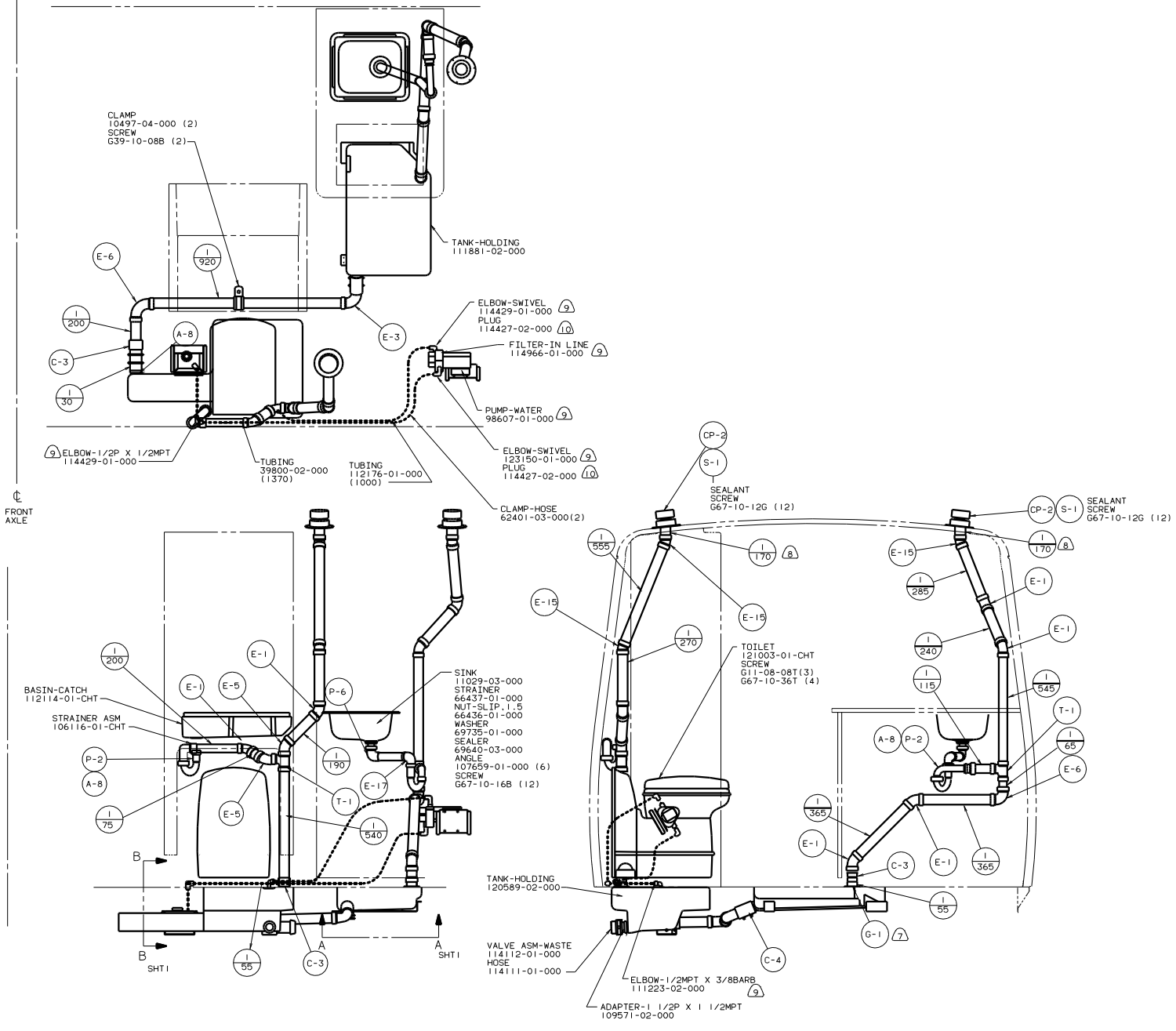
1B1 CODE STANDARDS-USA
 265 CODE STANDARDS-CSA

5. EXPOSED PIPE ABOVE ROOF TO BE PAINTED 37163-01-000.
4. ALL EXTERIOR OPENINGS AROUND PIPE TO BE SEALED WITH 69637-01-000.
3. ALL PIPE AND FITTINGS TO BE ASSEMBLED WITH SOLVENT 4020-01-000.
2. SLOPE OF TRAP ARM MUST BE 6 PER 305.
1. SLOPE OF HORIZONTAL PIPING TO BE 6 PER 305 MIN.
10. 1A7 SHOWER PACKAGE WITHOUT.
9. 1A0 SHOWER PACKAGE.
8. VENT PIPE MUST PROJECT 51 MIN AND 63.5 MAX ABOVE ROOF FOR PROPER FIT AND FUNCTION.
7. SEE DWG 61607-01-000 FOR INSTALLATION OF GROMMET.
6. FOR CAN UNITS EACH HOLDING TANK SHALL HAVE A CSA APPROVAL STAMPED NEAR THE IAMPO APPROVAL.

13. NOT USED ON CANADIAN UNIT.
12. 265 CODE STANDARDS. CSA.
11. USE SCRAP CLOSED CELL NEOPRENE FOR 77075-01.-02 OR -03 ON HAT CHANNELS FOR VIBRATION DAMPENING.

222RD7		TITLE		97 222RD	
DRAINAGE SYSTEM INSTL					
DATE	DATE	UNDESIGNED TOLERANCES ARE	MATERIAL		
DATE	DATE	WHOLE DIMS (IN.)	1/8		
DATE	DATE	ONE-PLACE (IN.)	1/4		
DATE	DATE	TWO-PLACE (IN.)	3/8		
DATE	DATE	THREE-PLACE (IN.)	1/2		
DATE	DATE	FOUR-PLACE (IN.)	3/4		
DATE	DATE	FIVE-PLACE (IN.)	1		
DATE	DATE	SIX-PLACE (IN.)	1 1/4		
DATE	DATE	SEVEN-PLACE (IN.)	1 1/2		
DATE	DATE	EIGHT-PLACE (IN.)	1 3/4		
DATE	DATE	NINE-PLACE (IN.)	2		
DATE	DATE	TEN-PLACE (IN.)	2 1/4		
DATE	DATE	ELEVEN-PLACE (IN.)	2 1/2		
DATE	DATE	TWELVE-PLACE (IN.)	2 3/4		
DATE	DATE	THIRTEEN-PLACE (IN.)	3		
DATE	DATE	FOURTEEN-PLACE (IN.)	3 1/4		
DATE	DATE	FIFTEEN-PLACE (IN.)	3 1/2		
DATE	DATE	SIXTEEN-PLACE (IN.)	3 3/4		
DATE	DATE	SEVENTEEN-PLACE (IN.)	4		
DATE	DATE	EIGHTEEN-PLACE (IN.)	4 1/4		
DATE	DATE	NINETEEN-PLACE (IN.)	4 1/2		
DATE	DATE	TWENTY-PLACE (IN.)	4 3/4		
DATE	DATE	TWENTY-ONE PLACE (IN.)	5		
DATE	DATE	TWENTY-TWO PLACE (IN.)	5 1/4		
DATE	DATE	TWENTY-THREE PLACE (IN.)	5 1/2		
DATE	DATE	TWENTY-FOUR PLACE (IN.)	5 3/4		
DATE	DATE	TWENTY-FIVE PLACE (IN.)	6		

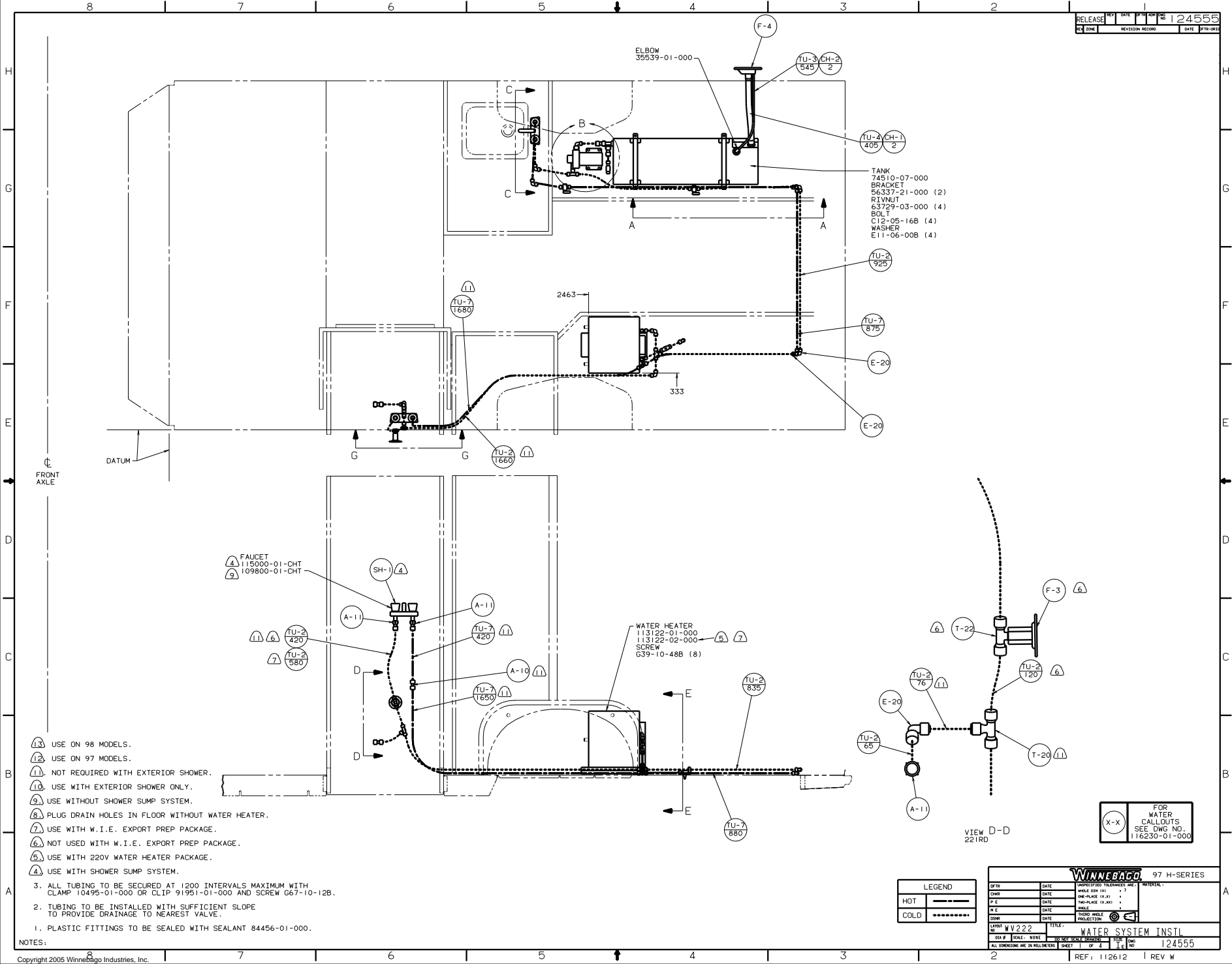
DRAWN BY: 112097
 SHEET 1 OF 2
 REF: 112097



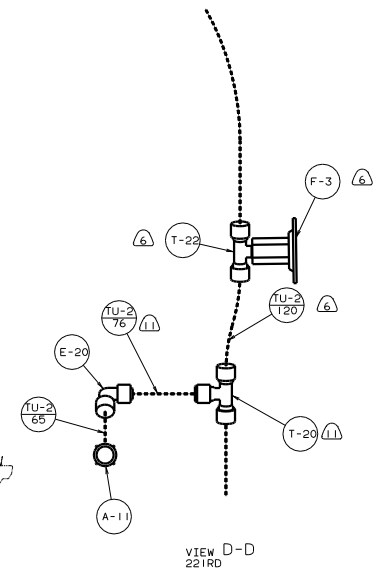
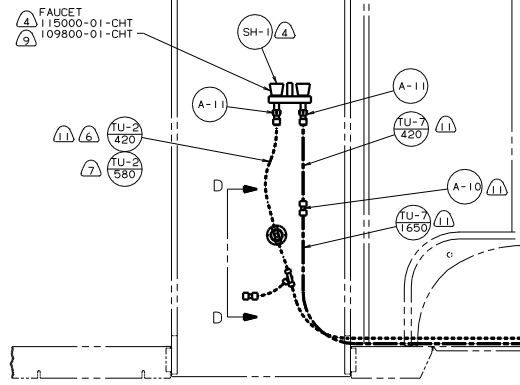
97 222RD
JAPAN EXPORT

04L JAPAN EXPORT PKG

TITLE		DRAINAGE SYSTEM INSTL	
DO NOT SCALE DRAWING	DATE	REV	NO
SHEET 2 OF 2		1	1
		126231	

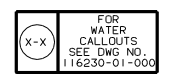


- TANK 74510-07-000
- BRACKET 56337-21-000 (2)
- RIVNUT 63729-03-000 (4)
- BOLT C12-05-168 (4)
- WASHER E11-06-008 (4)



1. PLASTIC FITTINGS TO BE SEALED WITH SEALANT 84456-01-000.
2. TUBING TO BE INSTALLED WITH SUFFICIENT SLOPE TO PROVIDE DRAINAGE TO NEAREST VALVE.
3. ALL TUBING TO BE SECURED AT 1200 INTERVALS MAXIMUM WITH CLAMP 10495-01-000 OR CLIP 91951-01-000 AND SCREW G67-10-12B.
- (13) USE ON 98 MODELS.
 - (12) USE ON 97 MODELS.
 - (11) NOT REQUIRED WITH EXTERIOR SHOWER.
 - (10) USE WITH EXTERIOR SHOWER ONLY.
 - (9) USE WITHOUT SHOWER SUMP SYSTEM.
 - (8) PLUG DRAIN HOLES IN FLOOR WITHOUT WATER HEATER.
 - (7) USE WITH W.I.E. EXPORT PREP PACKAGE.
 - (6) NOT USED WITH W.I.E. EXPORT PREP PACKAGE.
 - (5) USE WITH 220V WATER HEATER PACKAGE.
 - (4) USE WITH SHOWER SUMP SYSTEM.

NOTES:



LEGEND

HOT	—————
COLD	—————

WINNEBAGO 97 H-SERIES

DATE	REVISION	BY	NO.	REASON

DWG NO. WV222

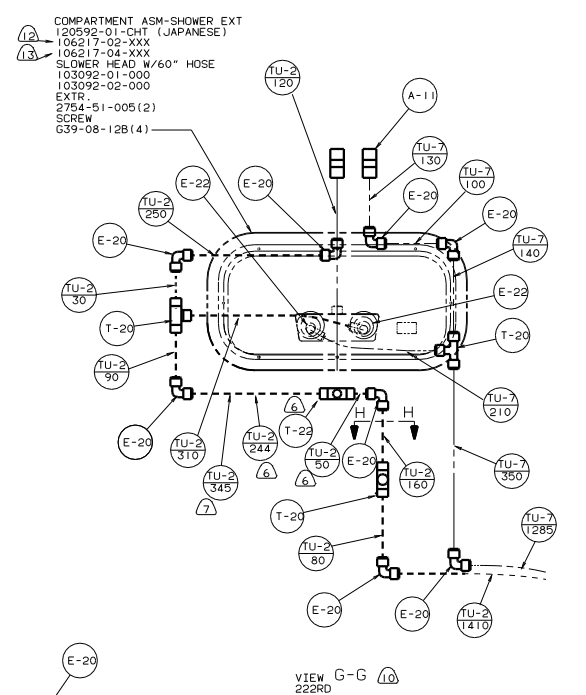
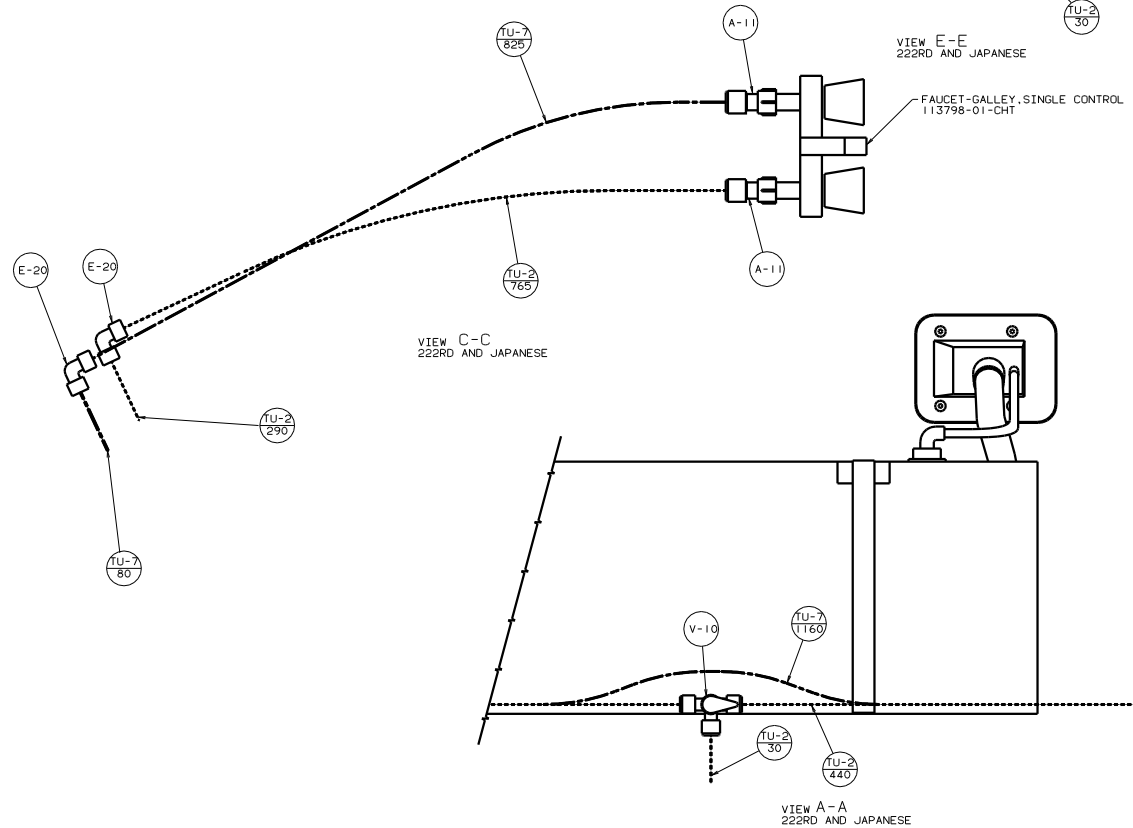
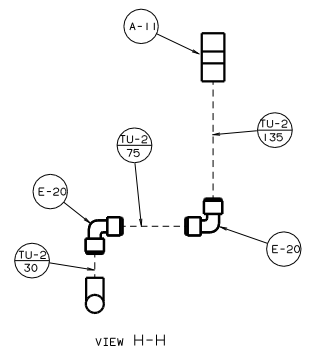
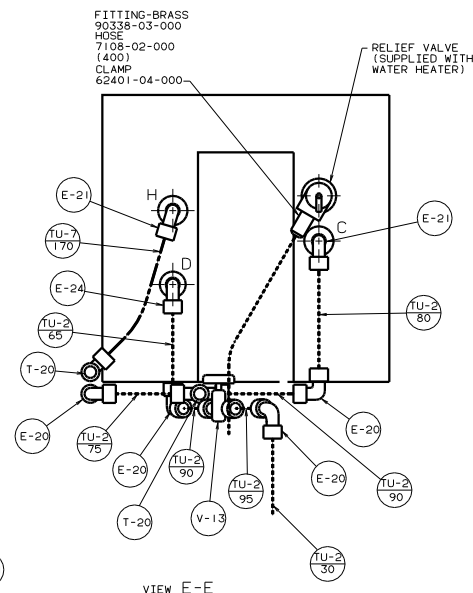
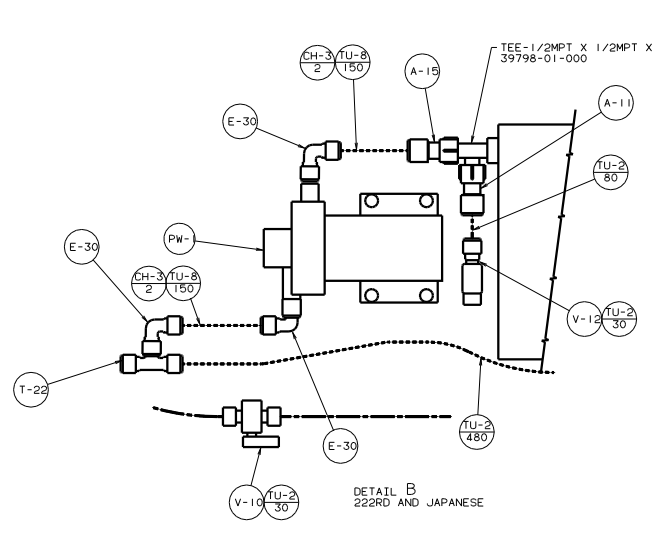
TITLE: WATER SYSTEM INSTL

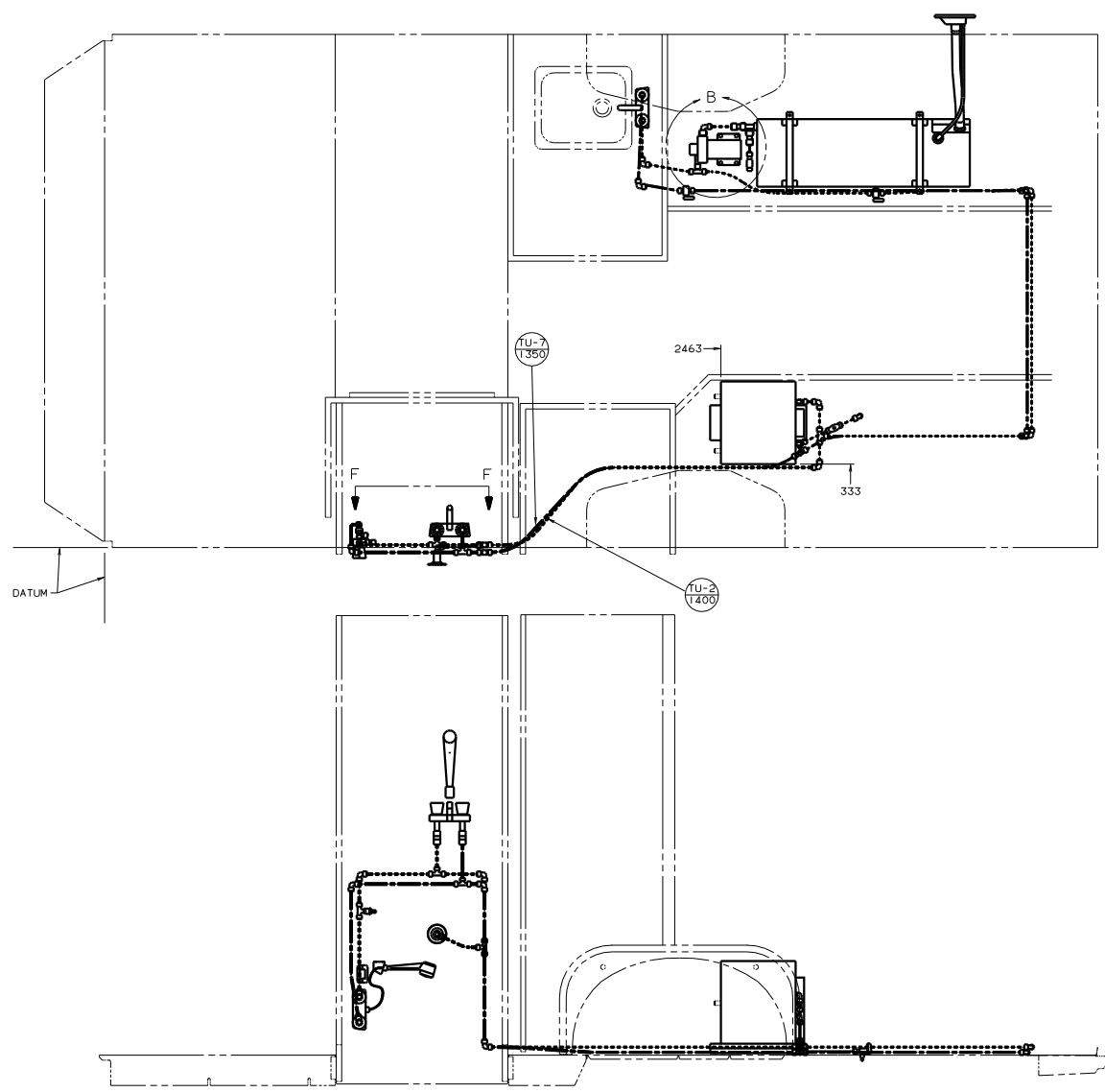
REV 1

DATE 116212

BY 1E

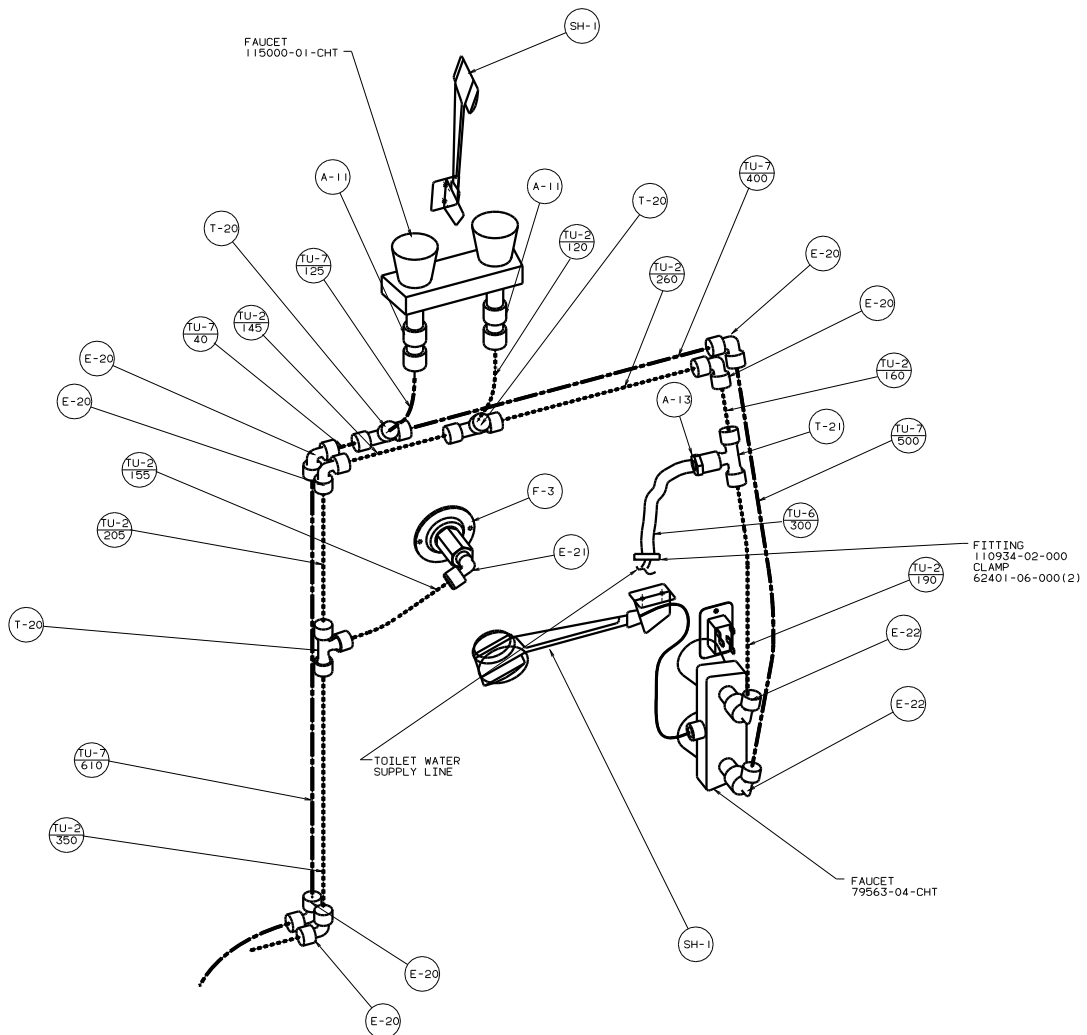
NO 124555





97 222RD
JAPAN EXPORT

TITLE: WATER SYSTEM INSTL	
DATE: 11/16	REV: 1
SHEET 3 OF 4	DWG NO: 124555



VIEW F-F
JAPANESE

TITLE		WATER SYSTEM INSTL	
NO. OF SHEETS	4	SHEET	4 OF 4
REV.	1	DATE	11/8
DRAWING NO.		124555	