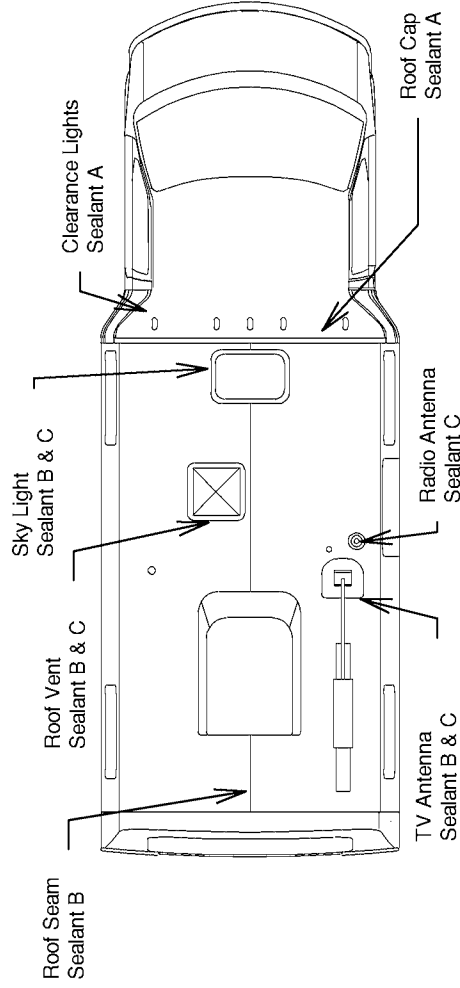
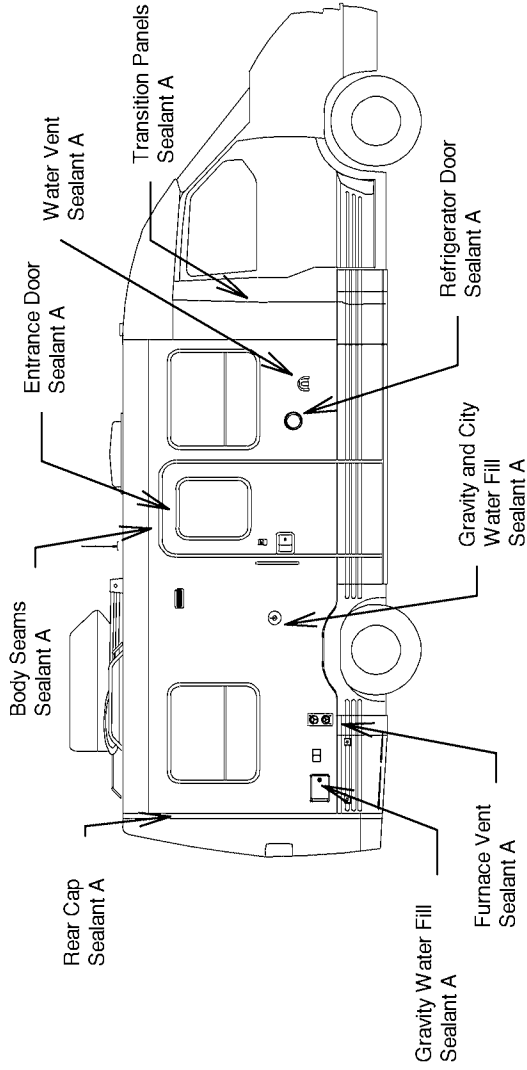


2003 RIALTA SEALANTS CALLOUT SHEET



Sealants may be purchased from your Winnebago or Itasca Dealer

Sealant	Winnebago Part #
A	072889-22-000
B	131264-03-01A
C	131264-01-02A

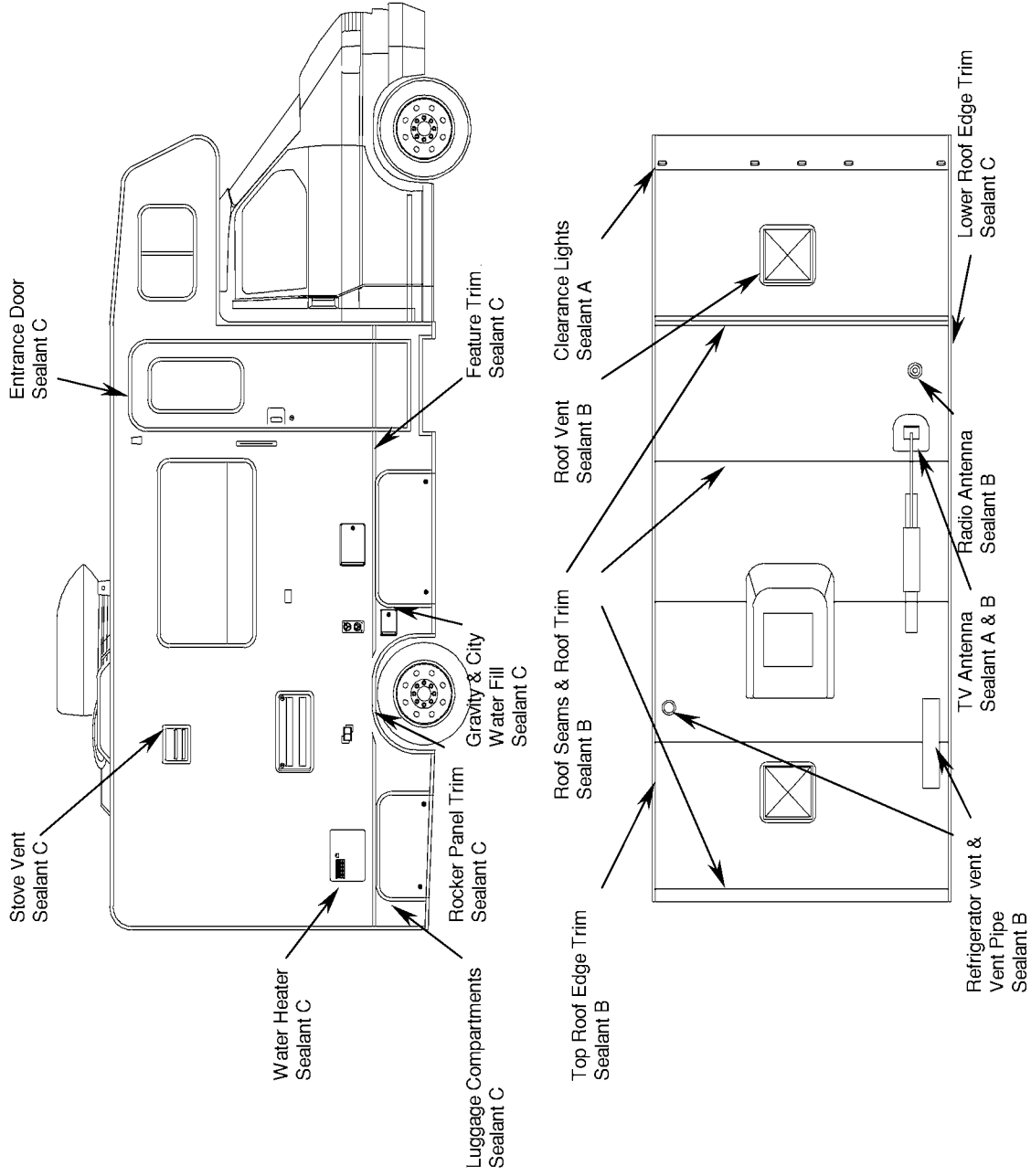
This is only a graphic representation for sealants and does not represent actual component position

Revision A

NOTE: All painted aluminum skin surfaces that have silicone applied too, must be wiped with lacquer thinner. (45704-02) Follow procedure outlined below:

- Wipe area for silicone application with lacquer thinner. (45704-02) Application should wet the surface for at least 5 seconds.
- After the surface is wet wipe excess from the surface with a dry towel
- Allow remaining thinner to flash off, then apply the silicone within 5 minutes of thinner application

2003 VISTA & SUNSTAR SEALANT CALLOUT SHEET



Sealants may be purchased from your Winnebago or Itasca Dealer

Sealant	Winnebago Part #
A	131264-01-02A
B	131264-03-01A
C	072889-10-000

This is only a graphic representation for sealants and does not represent actual component position.
Rev A