

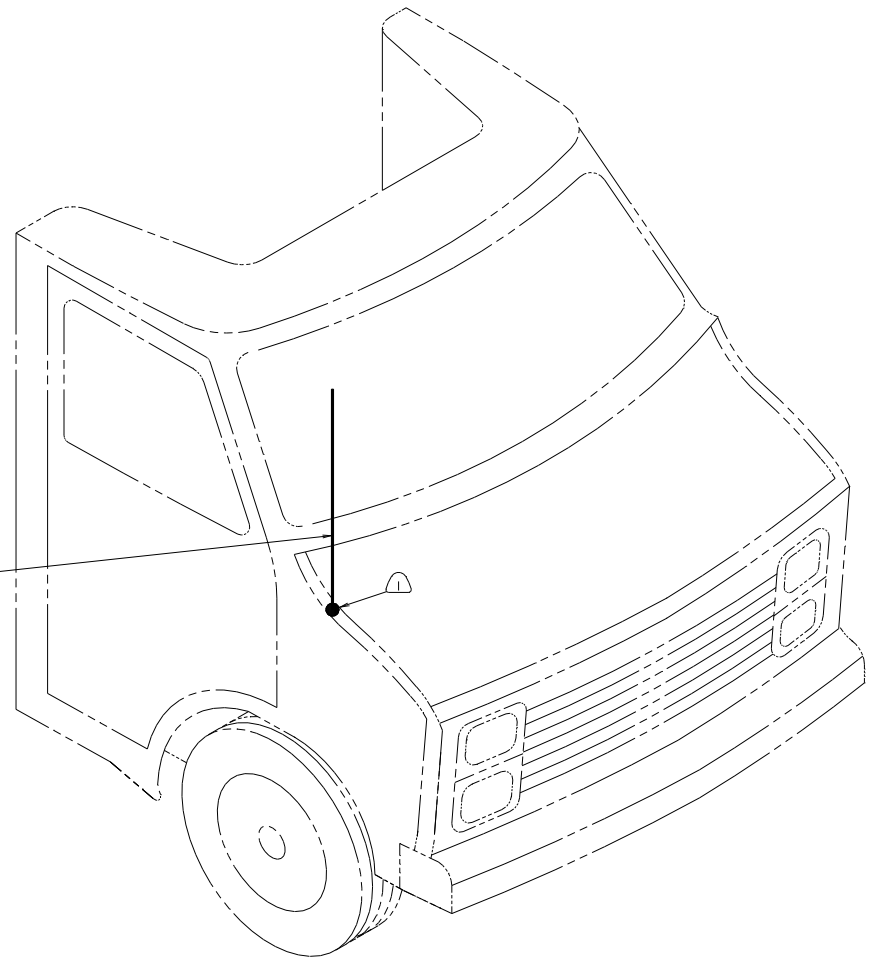
FORD CHASSIS
C-BODY

- NOTES:
- (2) SUPPLIED WITH CHASSIS.
 - (1) SEE FRAME ASM-CHASSIS FOR HOLE LOCATION AND SIZE.

WINNEBAGO		96 MOTORHOMES	
DFTR		UNSPECIFIED TOLERANCES ARE	MATERIAL
CMR		WHOLE DIM (X1)	+
PE		ONE-PLACE (X.03)	+
HE		TWO-PLACE (X.001)	+
NE		ANGLE	+
DSM		THIRD ANGLE PROJECTION	
LAYOUT NO.	-----	TITLE:	ANTENNA INSTL-RADIO AND CB
DWG NO.	120474	SCALE	1:1
ALL DIMENSIONS ARE IN MILLIMETERS		SHEET	1 OF 6

D
C
B
A

ANTENNA-RADIO
7004-01-000



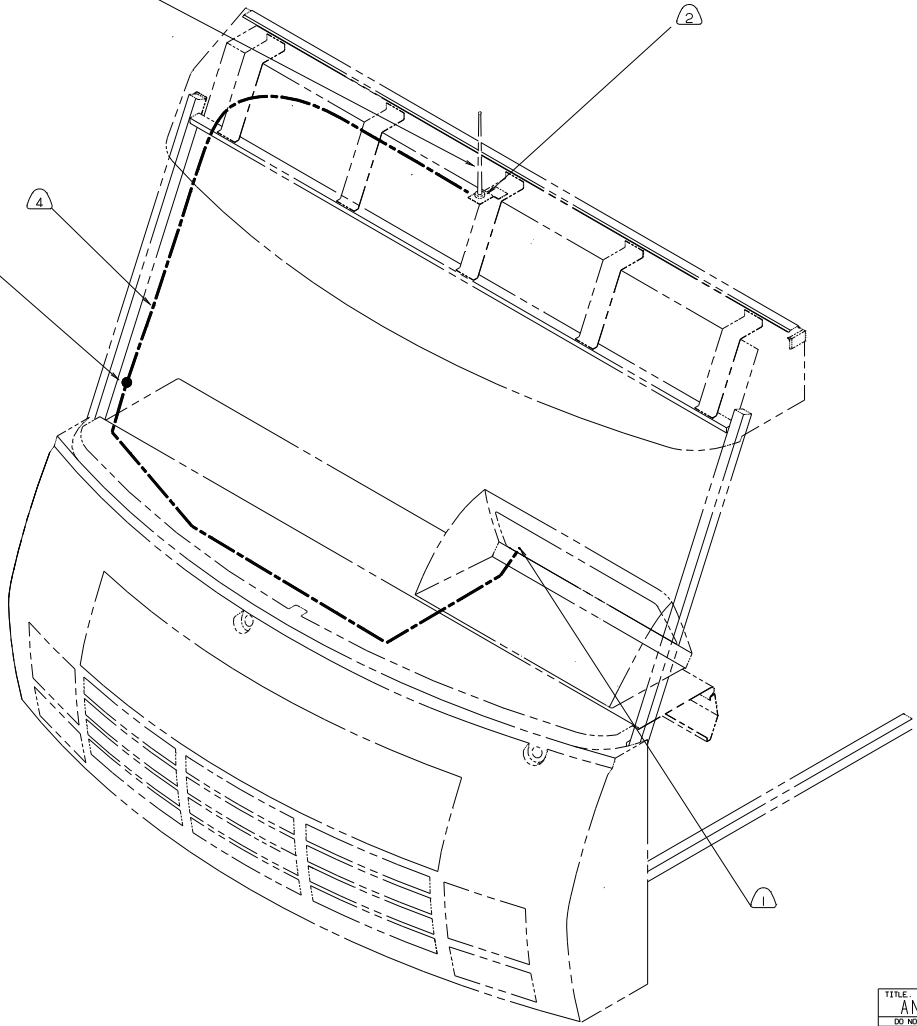
SEE FRAME ASM CHASSIS FOR HOLE LOCATION AND SIZE.

NOTES:

CHEVY CHASSIS
C-BODY

TITLE:		ANTENNA INSTL-RADIO AND CB	
DO NOT SCALE DRAWING	SIZE	DWG NO	120474
SHEET 2	OF 6	I.D.	

5 ANTENNA-RADIO
90944-01-000
CABLE EXTENSION
77069-02-000

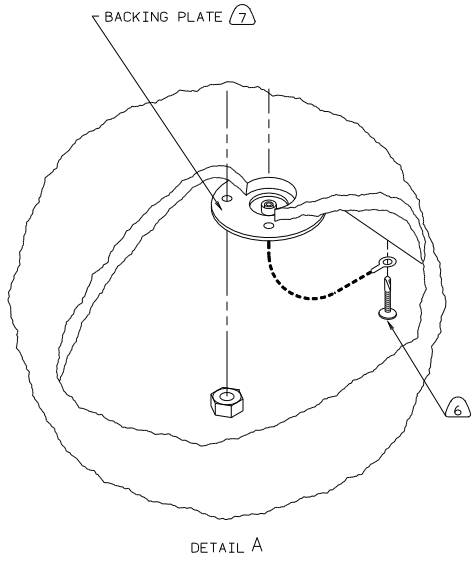


- 5 SEAL AROUND ANTENNA BASE.
- 4 ROUTE CABLE ALONG A-POST, UNDER TRIM COVER.
- 3 TAPE CABLE EXTENSION TO CABLE ANTENNA AT CONNECTION. USE TAPE 8363-01-000.
- 2 USE HOLE IN BRACKET AS GUIDE TO DRILL 1/32 DIAMETER HOLE IN FIBERGLASS.
- 1 SEE WIRING INSTL-FRONT END FOR LOCATION OF COAX END AND LABEL.

NOTES:

D-SERIES

TITLE:		ANTENNA INSTL-RADIO AND CB	
DO NOT SCALE DRAWING	SIZE	DWG NO	120474
SHEET 3	OF 6		



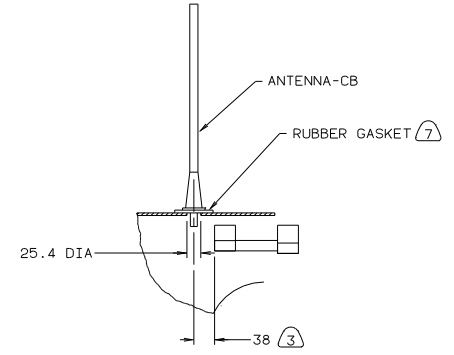
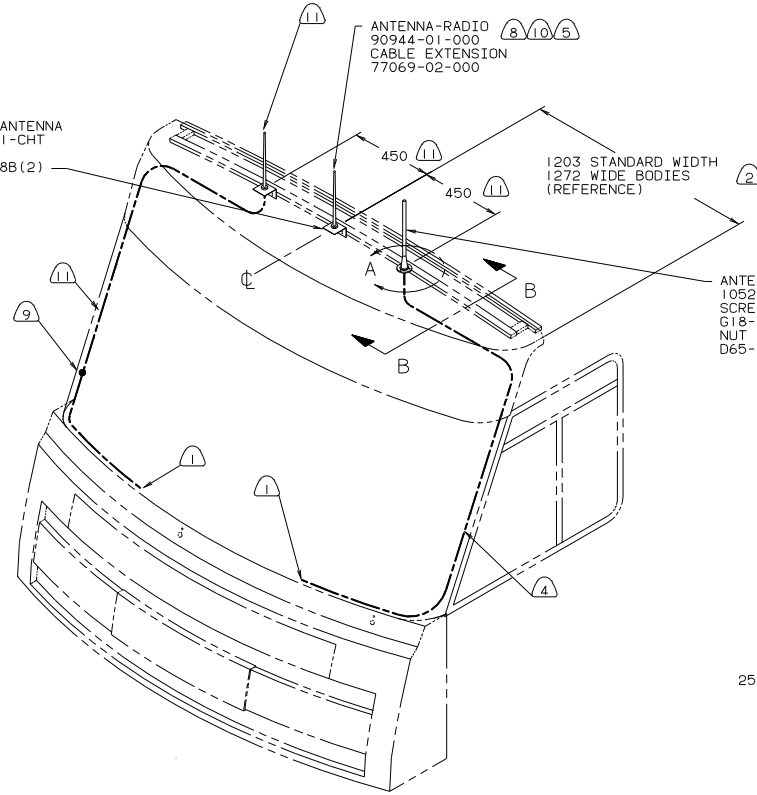
DETAIL A

BRACKET-ANTENNA
115916-01-CHT
SCREW
G39-08-08B (2)

ANTENNA-RADIO
90944-01-000
CABLE EXTENSION
77069-02-000

1203 STANDARD WIDTH
1272 WIDE BODIES
(REFERENCE)

ANTENNA-CB
105248-01-000
SCREW
G18-08-22B (3)
NUT
D65-08-00B (3)



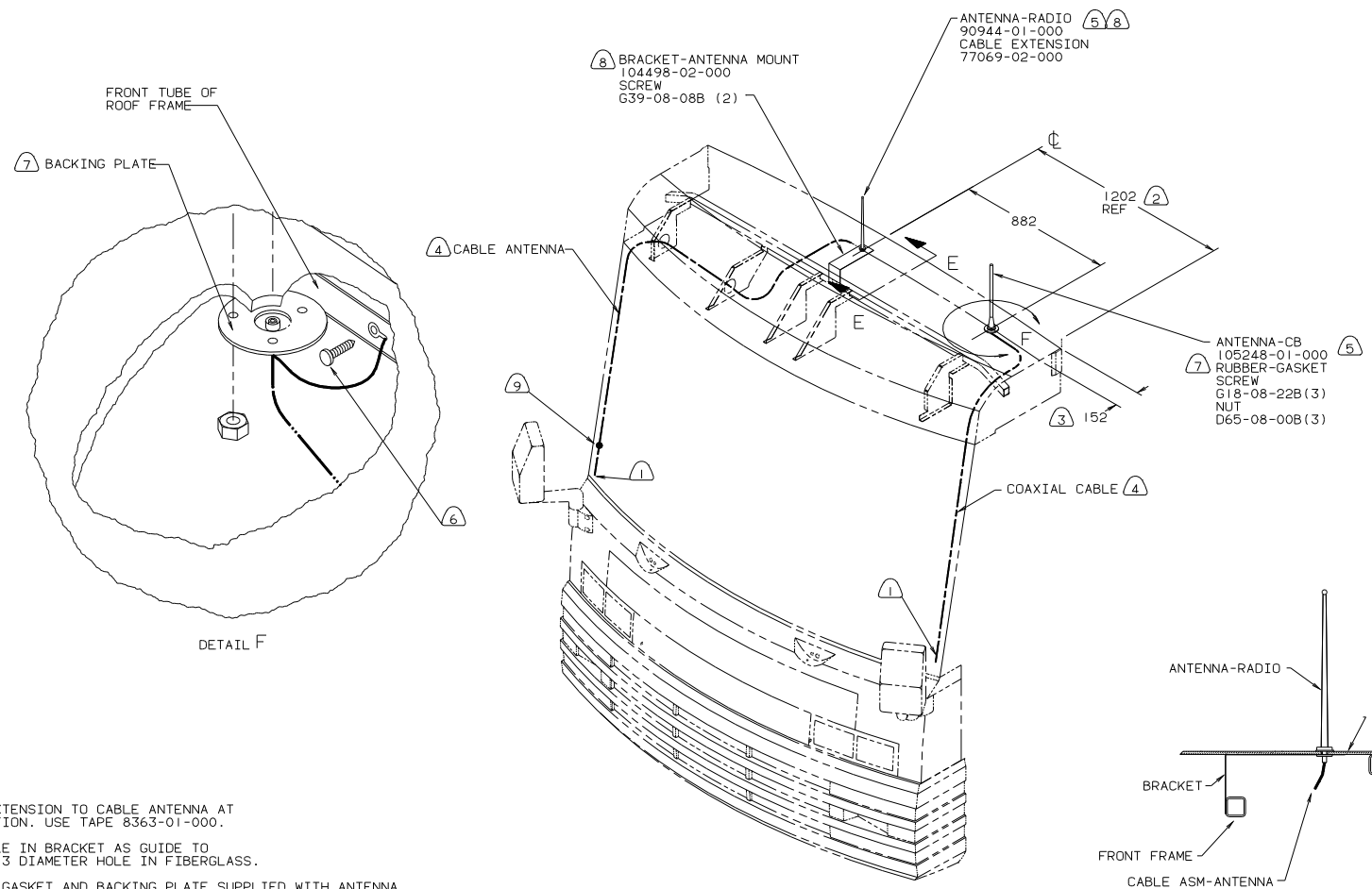
SECTION B-B

- (1) LOCATION WITH ANTENNA-CB.
- (10) LOCATION WITHOUT ANTENNA-CB.
- (9) TAPE CABLE EXTENSION TO CABLE ANTENNA AT CONNECTION. USE TAPE 8363-01-000.
- (8) USE HOLE IN BRACKET AS GUIDE TO DRILL 13 DIAMETER HOLE IN FIBERGLASS.
- (7) RUBBER GASKET AND BACKING PLATE SUPPLIED WITH ANTENNA.
- (6) ATTACH ANTENNA-CB GROUND WIRE TO ROOF FRAME USE SCREW G39-08-08B.
- (5) SEAL AROUND ANTENNA BASE AND SCREWS.
- (4) ROUTE CABLE ALONG A-POST. UNDER TRIM COVER.
- (3) MEASURED FROM FRONT OF ROOF FRAME.
- (2) MEASURED FROM EDGE OF FIBERGLASS CAP.
- (1) SEE WIRING INSTL-FRONT END FOR LOCATION OF COAX END AND LABEL.

NOTES:

F & G-SERIES

TITLE: ANTENNA INSTL-RADIO AND CB			
DO NOT SCALE DRAWING	SIZE	DWG	NO
SHEET 4 OF 6	1:1		120474

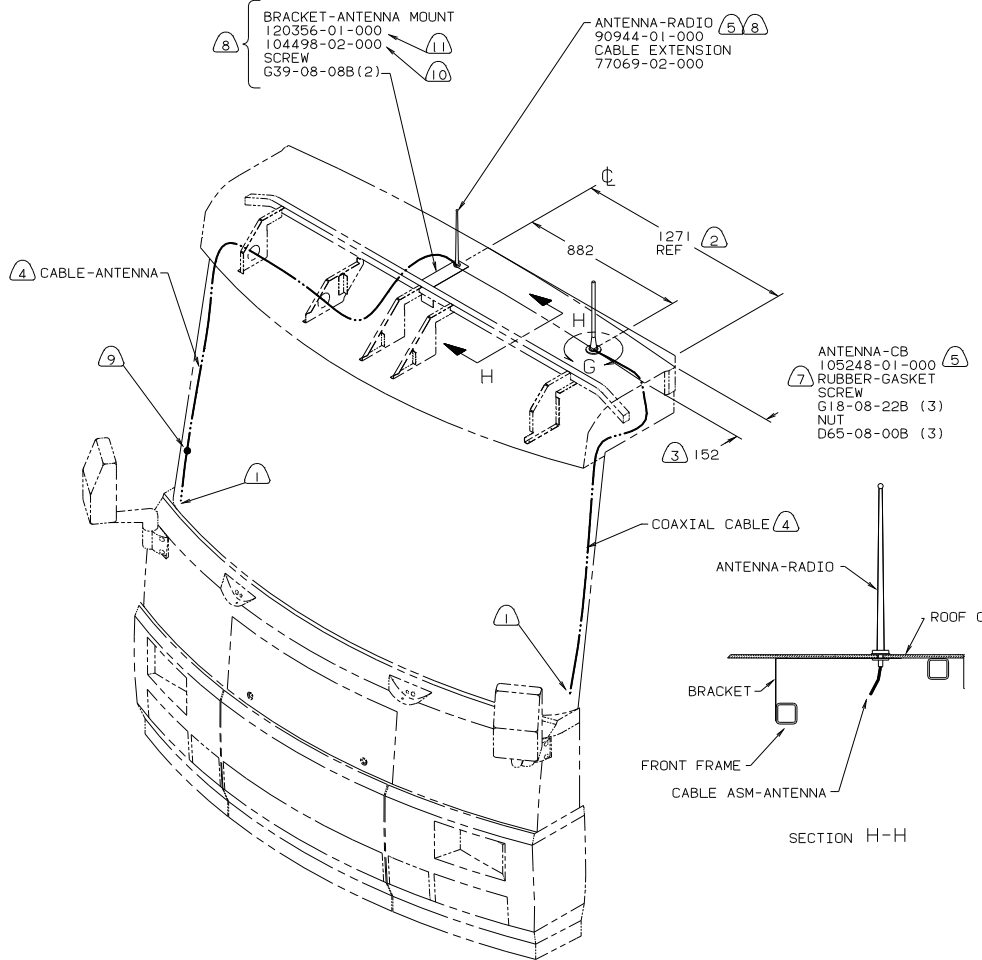
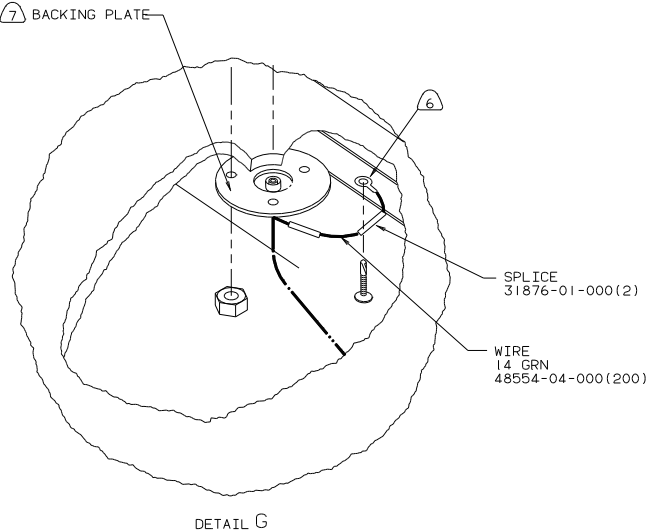


- 9 TAPE EXTENSION TO CABLE ANTENNA AT CONNECTION. USE TAPE 8363-01-000.
- 8 USE HOLE IN BRACKET AS GUIDE TO DRILL 1/3 DIAMETER HOLE IN FIBERGLASS.
- 7 RUBBER GASKET AND BACKING PLATE SUPPLIED WITH ANTENNA.
- 6 ATTACH ANTENNA GROUND WIRE TO ROOF FRAME USE SCREW G39-08-08B.
- 5 SEAL AROUND ANTENNA BASE AND SCREWS.
- 4 ROUTE CABLE ALONG A-POST. UNDER TRIM COVER.
- 3 MEASURED FROM REAR EDGE OF FIBERGLASS CAP.
- 2 MEASURED FROM EDGE OF FIBERGLASS CAP.
- 1 SEE WIRING INSTL-FRONT END FOR LOCATION OF COAX END AND LABEL.

NOTES:

M-SERIES

TITLE			
ANTENNA INSTL-RADIO AND CB			
DO NOT SCALE DRAWING	SIZE	DWG	NO
SHEET 5	OF 6	1.0	120474



1 M-WIDE SERIES ONLY
BRACKET SITS ON TOP OF TUBE.

10 Q- SERIES ONLY.

9 TAPE EXTENSION TO CABLE ANTENNA AT
CONNECTION. USE TAPE 8363-01-000.

8 USE HOLE IN BRACKET AS GUIDE TO
DRILL 1/3 DIAMETER HOLE IN FIBERGLASS.

7 RUBBER GASKET AND BACKING PLATE SUPPLIED WITH ANTENNA.

6 ATTACH ANTENNA GROUND WIRE TO ROOF FRAME
USE SCREW G39-08-08B.

5 SEAL AROUND ANTENNA BASE AND SCREWS.

4 ROUTE CABLE IN A-POST, UNDER TRIM COVER.

3 MEASURED FROM REAR EDGE OF FIBERGLASS CAP.

2 MEASURED FROM EDGE OF FIBERGLASS CAP.

1 SEE WIRING INSTL-FRONT END FOR LOCATION
OF COAX END AND LABEL.

NOTES:

M-WIDE SERIES & Q SERIES

TITLE: ANTENNA INSTL-RADIO AND CB			
DO NOT SCALE DRAWING	SIZE	DWG NO	120474
SHEET 6	OF 6	1:1	