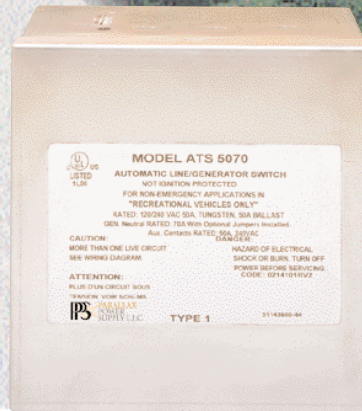


ATS™ LINE GENERATOR SWITCHES

- *Automatic Power Transfer*
- *Smooth, Quiet Operation Even With Low Line Voltage*
- *A Range of Amperage Ratings; 120 Volt and 120/240 Volt Service*
- *Two Year Warranty*



ATS5070

ATS™ Line Generator Switches provide safety and convenience for RV'ers. ATS models switch power from shoreline to generator with a flick of the generator switch. No unplugging the shoreline cord and re-plugging into generator needed. Eliminated is any handling of the shoreline cord, which is dangerous during storms. Quality components ensure smooth power transfer.

ATS5070 For 30- and 50-amp service. Designed for simple field service. 70-amp neutral capability is available for "in phase" generators. Flanged Inlet (FI) option allows plug-in to a pre-wired shoreline cord input.

ATS and ATS Option "A" For 30-amp, 120-volt systems. Units install directly on Parallax power centers and Model 80 distribution panels. Can be ordered pre-installed as "ATS Option A," or as "ATS" for aftermarket installation. Same electrical characteristics as the stand-alone ATS30.

ATS30 For 30-amp, 120-volt systems. A 1,000-watt bridge relay minimizes electrical surges. Streamline size of only 5-1/8" high.



ATS5070FI
(flanged inlet option)



ATS/
ATS Option 'A'



ATS30

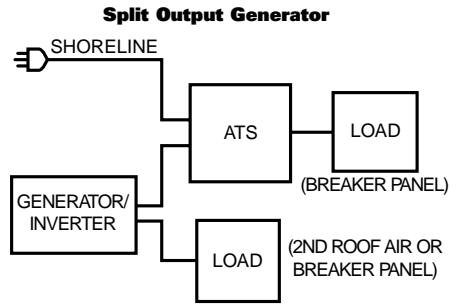
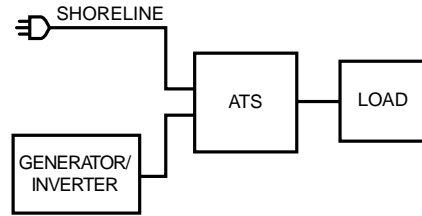


**The Power To Bring
People & Places
Together.**



UL/CUL Listed

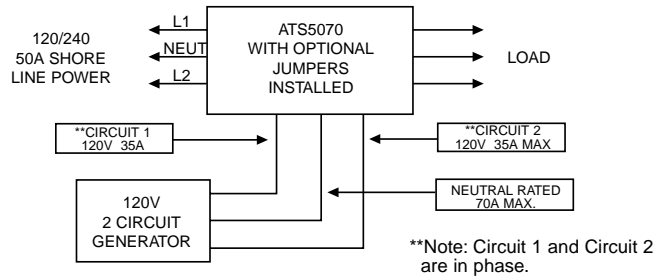
Typical Installations: ATS30



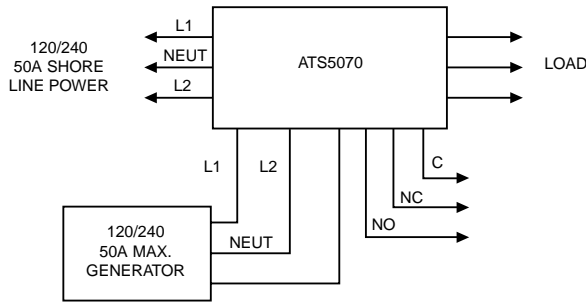
Safe, Convenient Power Transfer

Typical Installations: ATS5070

Installation for neutral rated 70 amp capability with "in phase" generators (optional jumpers installed).



Installation for 120/240 Volt 50A Max. Generators



• Maximum generator: 12 KW • Enclosure: UL Type 1 - 16 GA Steel • Not ignition protected.
Note: Rated for 50 amperes per leg L1, L2 with 70 ampere neutral when L1 and L2 are in phase (optional jumpers must be installed for this application).

ATS™ Line Generator Switches Specifications

Model Number	Item Description	AC Rating	Dimensions			Weight	UPC No. 1-80347-
			Height	Width	Depth		
ATS/Option A	Line Generator Switch	120 volts/30 amps	6"	4.75"	4"	3 lbs.	00088-5
ATS30	Line Generator Switch	120 volts/30 amps	5.125"	8.687"	4.125"	4 lbs.	00060-1
ATS5070	Line Generator Switch	120/240 volts 50 amps	8"	8"	4.75"	7.5 lbs.	00056-4
ATS5070FI	Line Generator Switch with Flanged Inlet	120/240 volts 50 amps	10.25"	8.25"	5.25"	10.5 lbs.	00090-8
ATS5070MB	Line Generator Switch with Mounting Bracket	120/240 volts 50 amps	5"	8"	11"	11 lbs.	00066-3

Specifications subject to change without notice.



Sales Office
425 Sycamore Street
Anderson, IN 46016
800-443-4859 • Fax 765-608-5036
www.parallaxpower.com

Corporate Office
5508 128th Street E.
Puyallup, WA 98373